



VALSPRAY

ACCESSORIES AND EQUIPMENT:

- LIQUID SPRAY PAINTING
- GLUES AND SILICON
- SANDBLASTING
- CONTRACTORS
- LINE STRIPING
- AUTOMOTIVE



PRICE LIST 2020 - 2021

CONTACTS AND INFORMATION

Val Spray Bergamo s.r.l., a leading company in the painting machinery and accessories sector, offers with this price list a wide range of equipment suitable to solve all your spraying problems. The choice of exclusively superior quality materials and twenty years of experience in the sector are a guarantee for our customers.

In addition to the remarkable range of products in the catalog, on request we supply compatible accessories for any type of equipment on the market thanks to our production facility. Our technicians and sales office are at your complete disposal for any requests and any type of requirement at our headquarters in Brembate Sopra (BG) at the following addresses:

Tel.: +39 035.4376196

Fax: +39 035.6222719

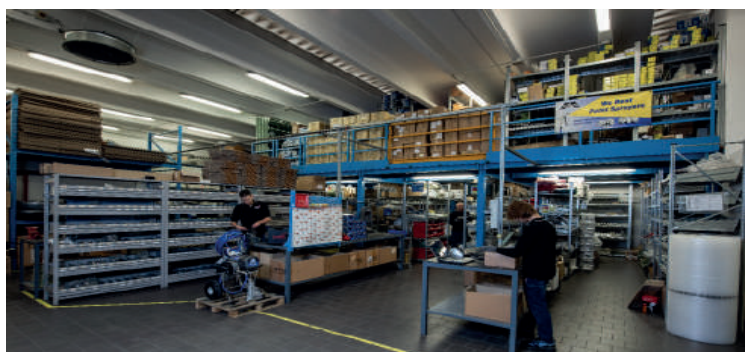
Website: www.valspray.it

E-mail: info@valspray.it

Administration: amministrazione@valspray.it

Orders and enquiries: estero@valspray.it

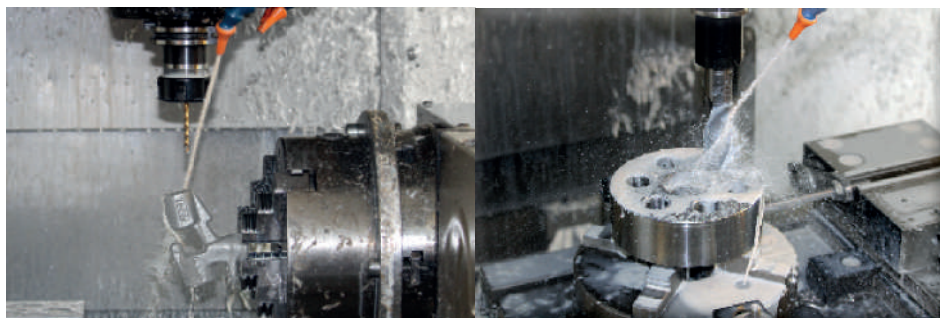
Foreign trade manager: Mrs. Federica Setti +39 3357634839



OUR FAMILY

600

SQUARE METERS OF WAREHOUSE
WITH GOODS ALWAYS IN STOCK
TO SATISFY YOUR NEEDS IN THE
SHORTEST POSSIBLE TIME

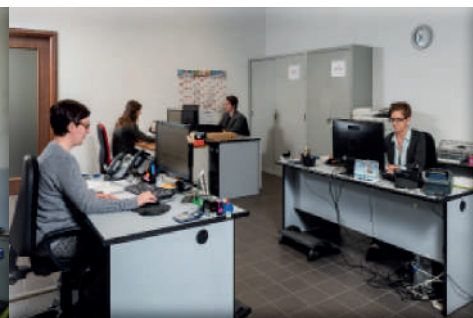
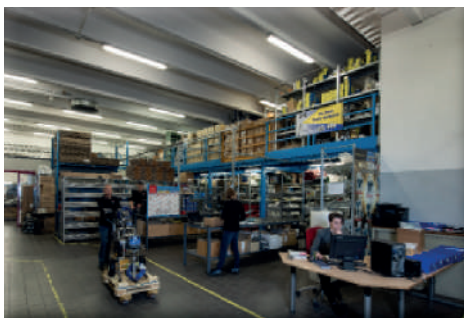


1800

PRODUCTION HOURS WORKED
PER YEAR TO CREATE THE BEST
PRODUCTS ON THE MARKET

+50

DAILY SHIPMENTS IN
ITALY AND AROUND THE WORLD
WITH EXPRESS DELIVERY

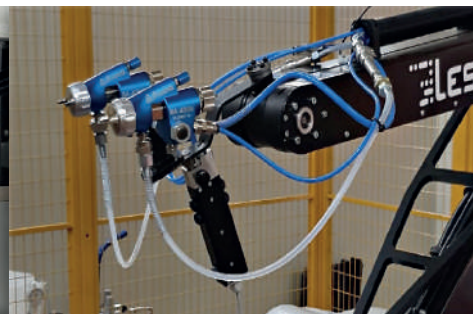
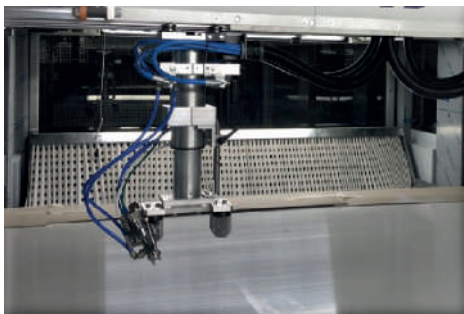


+6000

CUSTOM-MADE EQUIPMENT
AND ACCESSORIES FROM OUR
PRODUCTION

2000

PARTNERS IN ITALY AND IN THE
WORLD TO BE ALWAYS READY,
WHEREVER YOU ARE



1400

SQUARE METERS OF TRADE
FAIRS HELD OVER THE YEARS TO
PRESENT OUR INNOVATIONS AND
NOVELTIES

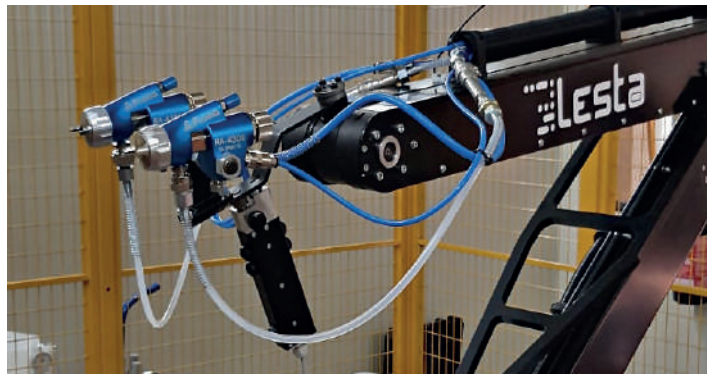
INDEX

2K MIXING AND DOSING SYSTEM	243
2K MIXING AND DOSING SYSTEM - HP..	244 -246
2K MIXING AND DOSING SYSTEM - LP...	245 - 247
ACCESSORIES FOR GLUES.....	265 -269
ACCESSORIES FOR SPRAY GUNS.....	41
ADAPTER FOR DISPOSABLE CUPS	38
ADAPTORS AND LP VALVES	115
AGITATORS MOUNTED ON COVER	61
AGITATORS MOUNTED ON SUPPORT.....	58 -59
AIR BRUSHES.....	37
AIR DRILLS AND MIXER RODS.....	61
AIRLESSCO ACCESSORIES	177
AIRLESS MEMBRANE PUMPS	165 - 169
AIRLESS PISTON PUMP.....	205
AIRLESS PISTON PUMP.....	170 -222
AIR MOTOR KIT VAL SPRAY	104
AIR REGULATOR AND LUBRICATOR.....	44
BATTERY POWERED SPRAY GUN	193
BELLOW PUMPS	225
BI-COMPONENT BELLOW PUMP	226
BLASTING ACCESSORIES.....	153 - 162
BLASTING HELMETS	163
BLAST NOZZLES	151 - 152
CAN CRUSHER.....	56
CARTS FOR PAINTING AND DRYING	51
CATALYST CONTAINER.....	249
COMPATIBLE PUMPING GASKET.....	97 - 99
COMPATIBLE SPARE PARTS GRACO.....	100
COMPATIBLE SPARE PARTS TITAN	101
COMPATIBLE SPARE PARTS TITAN	102
COMPATIBLE SPARE PARTS WAGNER	102
COMPRESSORS	145 - 146
CUPS FOR SPRAY GUNS	39 - 40
DISPLAY AND STANDS FOR WORKSHOP	47
DISPOSABLE CUP	38
DISTILLERS FOR SOLVENTS.....	54
DOUBLE HOSE FITTED	124
DOUBLE METALLIC BRAID HOSE	117
DOUBLE MIX HOSE.....	124
ELECTRIC AGITATORS	57
ELECTRIC AIRLESS PUMPS - DIY.....	203
ELECTRIC SPRAY GUN.....	202
ELECTROSTATIC GROUP	235 - 237
EXTENSIONS AND JUNCTION	85
EXTRUSION PUMPS.....	223 - 224
FILTER HOLDERS	88 - 89
FILTERING AND PAINT PREPARATION ...	42
FILTERING MASKS FOR PAINTING	45
FILTERING MEDIA FOR SPRAY BOOTH...	48 - 50
FITTINGS FOR BLASTING	154 - 157
FITTINGS FOR HIGH PRESSURE HOSE...	131
FITTINGS FOR SUCTION SYSTEM.....	132 - 133
FITTINGS: HIGH PRESSURE.....	134 -136
FITTINGS: LOW PRESSURE	137 - 140
GRACO NOZZLES AND AIR CAPS.....	76
GUN FILTERS.....	90
GYROSCOPIC MIXER.....	52
HEADS FOR MEMBRANE PUMPS.....	107
HEATED HOSE	234
HEATING BANDS.....	233
HIGH PRESSURE VALVES	109
HOSES: DOUBLE METALLIC BRAID.....	120
HOSES: HIGH PRESSURE	117
HOSES: LOW PRESSURE	122 - 125
HOSES: SINGLE METALLIC BRAID	118 - 119
HOSES: SINGLE TEXTILE BRAID.....	121
IMPREGNATING PUMP.....	252
INLINE FILTERS COMPLETE	86 - 87
IONIZING GROUP	56
KREMLIN GASKETS AND O-RINGS.....	80
KREMLIN NOZZLES AND AIR CAPS	79
LINE STRIPERS	180 - 183
LIQUID PRESSURE REGULATOR	111
LOW PRESSURE MEMBRANE PUMP.....	253 - 263
MAINTENANCE ACCESSORIES.....	106
MANIFOLD FILTERS	91 - 93
MEMBRANES AND CARTS.....	116
MEMBRANE TRANSFER PUMPS.....	227 - 228
MINI SANBLASTER ACCESSORIES	144
MINI SANDBLASTERS.....	143
MIXER KIT, SILICA GEL AND SPHERES ...	250
MIXERS	190
MIXING AND CATALYST HOSES	251
MIX NOZZLES.....	74
NON-RETURN VALVE.....	110
OPTIMA NOZZLES AND AIR CAPS	75
ORBITAL SANDERS.....	47
OVERSIZED DOUBLE HOSE FOR	123
PAINT CAN HOLDER AND NEBULIZER....	43
PAINT CONTAINER.....	248
PAINT FILTERING GROUP	232

PAINTING SYSTEMS ON COVER	230	TIP FILTERS	94
PERISTALTIC PUMP	184	TIP FILTERS KREMLIN TYPE	93
PISTONS GRINDING	105	TIPS AND GUARDS	81
PLASTER GUNS	192	TIPS SIZES	83 - 84
PLASTER MIXER.....	184	TOOLS FOR WORKSHOP	46
PLASTER MIXER AND SPRAYER	184 - 186	TRANSFER PUMPS	229
PLASTER SPRAYER ACCESSORIES	187	TRANSFER SYSTEMS FOR BARRELS	231 - 232
PLASTER SPRAYING MACHINE	185	TURBINE HVLP	194 - 195
PNEUMATIC AGITATORS.....	60	TURBINES FOR PIPE BLASTING.....	150
PNEUMATIC GLUE FEEDERS.....	264	TURBINES FOR PIPE PAINTING	141
PRESSURE GAUGES FOR AIR.....	113	TURBINES HVLP	196
PRESSURE GAUGES FOR LIQUID	112	TWO-COMPONENT PUMP.....	241
PRESSURE TANKS.....	270 - 279	TWO-COMPONENT PUMP VS 2B	238 - 240
PRESSURE WASHERS	197 - 199	TWO-COMPONENT PUMP VS 2P	242
PRESSURE WASHERS ACCESSORIES.....	200	VACUUM CLEANERS	191
PROPELLERS FOR AGITATORS.....	60	WAGNER NOZZLES AND AIR CAPS.....	77 - 78
PUMP FOR WALL COVERINGS	190	WALL INJECTION PUMPS	188 - 189
PUMPING AND REPAIR KIT VAL SPRAY...	103 - 104	WALL JOINTS SPRAY MACHINES.....	185
SANDBLASTER WITH EQUIPMENT.....	148	WATER AND SOLVENT BASED PAINTS	123
SANDBLASTER WITHOUT EQUIPMENT ..	147		
SANDBLASTING CABINS	149	SPRAY GUNS EXPLODED VIEW	280
SCALES	56	PUMPS EXPLODED VIEW.....	344
SHAKER.....	53		
SINGLE METALLIC BRAID HOSE	117		
SPARE PARTS FOR HP PUMPS	108		
SPRAY GUNS: AIRLESS AUTOMATIC.....	62 - 63		
SPRAY GUNS: AIRLESS MANUAL.....	64 - 67		
SPRAY GUNS: AIRLESS TWO-COMPONENTS	68		
SPRAY GUNS: AUTOMATIC LP.....	30 - 36		
SPRAY GUNS: TWO-COMPONENT	27		
SPRAY GUNS: TWO-COMPONENT LP	28		
SPRAY GUNS KIT BOX	10 - 12		
SPRAY GUNS: LP FOR PUMPS.....	19 - 26		
SPRAY GUNS: LP INFERIOR CUP	13 - 18		
SPRAY GUNS: LP UPPER CUP	1 - 9		
SPRAY GUNS: MANUAL EXTENDED.....	29		
SPRAY GUNS: MIX MANUAL.....	69 - 73		
SPRAY GUN WASHER.....	55		
STANDARD NOZZLES	82		
SUCTION FILTER.....	95 - 96		
SUCTION HOSE: GALVANIZED	128		
SUCTION HOSE: STAINLESS STEEL.....	129 - 130		
SUCTION SYSTEM: GALVANIZED.....	126		
SUCTION SYSTEM: STAINLESS STEEL	127		
SWIVEL FITTING.....	110		
TANKS AND SIEVES	114		
THICKNESS GAUGE	43		

SPRAY GUNS AND ACCESSORIES

AUTOMATIC SPRAY GUNS FOR
PAINTING SYSTEMS AND AUT-
TOMATIZED ROBOT



ACCESSORIES AND SPARE
PARTS FOR SPRAY PUMPS
COMPATIBLE AND ORIGINAL

SPARE PARTS, FILTERS AND
ACCESSORIES FOR SPRAY
PAINTING CABINS

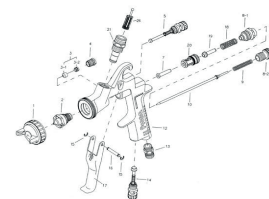


COMPATIBLE SPARE PARTS
MADE IN OUR PRODUCTION
AND SUITABLE FOR ALL
BRANDS ON THE MARKET

MANUAL SPRAY GUNS WITH
SUPERIOR CUP, INFERIOR CUP
AND FITTING FOR PUMPS



SPRAY GUNS: LOW PRESSURE UPPER CUP



SPARE PARTS EXPLODED
VIEW VS703
Pag. 281

NOZZLE AND NEEDLE IN
STAINLESS STEEL

STANDARD
SPARE PARTS:



STANDARD CUP
Cod. RC6RM
PRESSURE CUP
Cod. RC6RMP



AIR FLOW
REGULATOR
Cod. RG00PRE



NOZZLE KIT
Cod.
VS7S4001XX

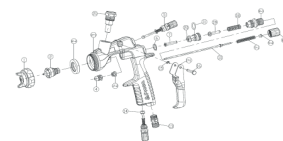
MANUAL SPRAY GUN VS 703

CODE	FLUID NOZZLE Ø MM	AIR NOZZLE	PRESSURE BAR	AIR CONSUMPTION LT/MIN	FLUID OUTPUT ML/MIN	FAN WIDTH +20 MM	PRICE
VS70312	1.2	VLSVB2	2.0-3.0	320	160	230-250	
VS70314	1.4	VLSVB2	2.0-3.0	320	215	250-275	
VS70316	1.6	VLSVB2	2.0-3.0	320	275	300-340	
VS70318	1.8	VLSVB1	2.0-3.0	320	330	330-355	
VS70320	2.0	VWS2B	2.0-3.0	320	390	320-350	
VS70325	2.5	VWS2B	2.5-3.0	320	510	320	

MANUAL SPRAY GUN VS 703 PRESSURE

CODE	FLUID NOZZLE Ø MM	AIR NOZZLE	PRESSURE BAR	AIR CONSUMPTION LT/MIN	FLUID OUTPUT ML/MIN	FAN WIDTH +20 MM	PRICE
VS703P12	1.2	VLSVB2	2.0-3.0	320	160	230-250	
VS703P14	1.4	VLSVB2	2.0-3.0	320	215	250-275	
VS703P16	1.6	VLSVB2	2.0-3.0	320	275	300-340	
VS703P18	1.8	VLSVB1	2.0-3.0	320	330	330-355	
VS703P20	2.0	VWS2B	2.0-3.0	320	390	320-350	
VS703P25	2.5	VWS2B	2.5-3.0	320	510	320	

SPRAY GUNS: LOW PRESSURE UPPER CUP



SPARE PARTS EXPLODED
VIEW VS830
Pag. 282

**NOZZLE AND NEEDLE IN
STAINLESS STEEL**

STANDARD
SPARE PARTS:



STANDARD CUP
Cod. RC6RM



ALUMINIUM CUP
Cod. RC6AIT



NOZZLE KIT
Cod. 830R1XX

MANUAL SPRAY GUN VS 830

CODE	FLUID NOZZLE Ø MM	AIR NOZZLE	PRESSURE BAR	AIR CONSUMPTION LT/MIN	FLUID OUTPUT ML/MIN	FAN WIDTH +/-20 MM	PRICE
VS80312	1.2	VLSVB2	2.0-3.0	320	160	230-250	
VS80314	1.4	VLSVB2	2.0-3.0	320	215	250-275	
VS80316	1.6	VLSVB2	2.0-3.0	320	275	300-340	
VS80318	1.8	VLSVB2	2.0-3.0	320	330	330-355	
VS80320	2.0	VLSVB2	2.0-3.0	320	410	320	
VS80325	2.5	VWS2B	2.5-3.0	320	510	320	

SPRAY GUN VS 830 ALUMINIUM CUP

CODE	FLUID NOZZLE Ø MM	AIR NOZZLE	PRESSURE BAR	AIR CONSUMPTION LT/MIN	FLUID OUTPUT ML/MIN	FAN WIDTH +/-20 MM	PRICE
VS80312M	1.2	VLSVB2	2.0-3.0	320	160	230-250	
VS80314M	1.4	VLSVB2	2.0-3.0	320	215	250-275	
VS80316M	1.6	VLSVB2	2.0-3.0	320	275	300-340	
VS80318M	1.8	VLSVB2	2.0-3.0	320	330	330-355	
VS80320M	2.0	VLSVB2	2.0-3.0	320	410	320	
VS80325M	2.5	VWS2B	2.5-3.0	320	510	320	

SPRAY GUNS: LOW PRESSURE UPPER CUP

NOZZLE AND NEEDLE IN STAINLESS STEEL



CERAMIC VERSION: WITH INTEGRATED CUP AGITATOR AND REGULATION

Cod. VS803AGXX

Price:



STANDARD SPARE PARTS:



PRESSURE CUP
Cod. RC6RMP



ALUMINIUM PRESSURE CUP
Cod. RC6MIT



AIR FLOW REGULATOR
Cod. RG00PRE

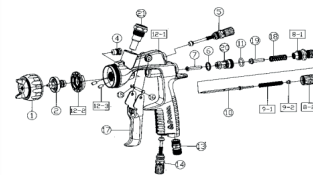
MANUAL SPRAY GUN VS 830 PRESSURE

CODE	FLUID NOZZLE Ø MM	AIR NOZZLE	PRESSURE BAR	AIR CONSUMPTION LT/MIN	FLUID OUTPUT ML/MIN	FAN WIDTH +-20 MM	PRICE
VSP80314	1.4	VLSVB2	2.0-3.0	320	215	250-275	
VSP80316	1.6	VLSVB2	2.0-3.0	320	275	300-340	
VSP80318	1.8	VLSVB1	2.0-3.0	320	330	330-355	
VSP80320	2.0	VWS2B	2.0-3.0	320	390	320-350	
VSP80325	2.5	VWS2B	2.5-3.0	320	510	320	

SPRAY GUN VS 830 PRESSURE ALUMINIUM CUP

CODE	FLUID NOZZLE Ø MM	AIR NOZZLE	PRESSURE BAR	AIR CONSUMPTION LT/MIN	FLUID OUTPUT ML/MIN	FAN WIDTH +-20 MM	PRICE
VSP80314M	1.4	VLSVB2	2.0-3.0	320	215	250-275	
VSP80316M	1.6	VLSVB2	2.0-3.0	320	275	300-340	
VSP80318M	1.8	VLSVB1	2.0-3.0	320	330	330-355	
VSP80320M	2.0	VWS2B	2.0-3.0	320	390	320-350	
VSP80325M	2.5	VWS2B	2.5-3.0	320	510	320	

SPRAY GUNS: LOW PRESSURE UPPER CUP



SPARE PARTS EXPLODED
VIEW VS4300
Pag. 283

NOZZLE AND NEEDLE IN
STAINLESS STEEL

STANDARD
SPARE PARTS:



STANDARD CUP
Cod. RC6RM
PRESSURE CUP
Cod. RC6RMP



AIR FLOW
REGULATOR
Cod. RG00PRE



NOZZLE KIT
Cod. 4300R1XX

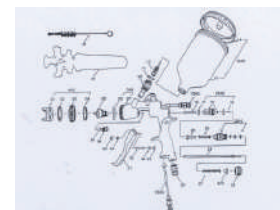
MANUAL SPRAY GUN VS 4300

CODE	FLUID NOZZLE Ø MM	AIR NOZZLE	PRESSURE BAR	AIR CONSUMPTION LT/MIN	FLUID OUTPUT ML/MIN	FAN WIDTH +-20 MM	PRICE
VS400312	1.2	RP	2.0-2.5	340	350	200-320	
VS400314	1.3	RP	2.0-2.5	340	360	200-320	
VS400316	1.4	RP	2.0-2.5	340	370	200-320	
VS400318	1.5	RP	2.0-2.5	340	400	200-320	
VS400320	1.8	RP	2.0-2.5	340	435	200-320	
VS400322	2.0	RP	2.0-2.5	340	450	200-320	
VS400324	2.2	RP	2.0-2.5	340	470	200-320	

MANUAL SPRAY GUN VS 4300 PRESSURE

CODE	FLUID NOZZLE Ø MM	AIR NOZZLE	PRESSURE BAR	AIR CONSUMPTION LT/MIN	FLUID OUTPUT ML/MIN	FAN WIDTH +-20 MM	PRICE
VSP400316	1.4	RP	2.0-2.5	340	370	200-320	
VSP400320	1.8	RP	2.0-2.5	340	435	200-320	
VSP400322	2.0	RP	2.0-2.5	340	450	200-320	
VSP400324	2.2	RP	2.0-2.5	340	470	200-320	

SPRAY GUNS: LOW PRESSURE UPPER CUP



SPARE PARTS EXPLODED
VIEW AM5008
Pag. 284

NOZZLE AND NEEDLE IN
STAINLESS STEEL

STANDARD
SPARE PARTS:



STANDARD CUP
Cod. RARC6R
PRESSURE CUP
Cod. RARC6RP



AIR FLOW
REGULATOR
Cod. RG00PRE



NOZZLE KIT
Cod. 508L3XX

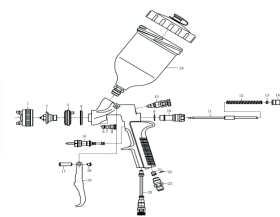
MANUAL SPRAY GUN AM 5008

CODE	FLUID NOZZLE Ø MM	AIR NOZZLE	PRESSURE BAR	AIR CONSUMPTION LT/MIN	FLUID OUTPUT ML/MIN	FAN WIDTH +-20 MM	PRICE
508L100	1.0	LVLP	1.0 - 2.0	196	120	320	
508L130	1.3	LVLP	1.0 - 2.0	196	150	320	
508L150	1.5	LVLP	1.0 - 2.0	196	170	320	
508L180	1.8	LVLP	1.0 - 2.0	196	200	320	
508L200	2.0	LVLP	1.0 - 2.0	196	250	320	
508L250	2.5	LVLP	1.0 - 2.0	196	280	320	

MANUAL SPRAY GUN AM 5008 PRESSURE

CODE	FLUID NOZZLE Ø MM	AIR NOZZLE	PRESSURE BAR	AIR CONSUMPTION LT/MIN	FLUID OUTPUT ML/MIN	FAN WIDTH +-20 MM	PRICE
508LWP13	1.3	LVLP	1.0 - 2.0	196	150	320	
508LWP15	1.5	LVLP	1.0 - 2.0	196	170	320	
508LWP18	1.8	LVLP	1.0 - 2.0	196	200	320	
508LWP20	2.0	LVLP	1.0 - 2.0	196	250	320	
508LWP25	2.5	LVLP	1.0 - 2.0	196	280	320	

SPRAY GUNS: LOW PRESSURE UPPER CUP



SPARE PARTS EXPLODED
VIEW VSZ3
Pag. 285

NOZZLE AND NEEDLE IN
STAINLESS STEEL

STANDARD
SPARE PARTS:



STANDARD CUP
Cod. Z3R0024
PRESSURE CUP
Cod. Z3R0024P



AIR FLOW
REGULATOR
Cod. RG00PRE



NOZZLE KIT
Cod. Z3RK1XX

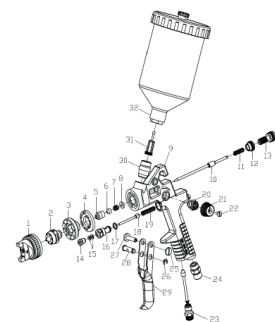
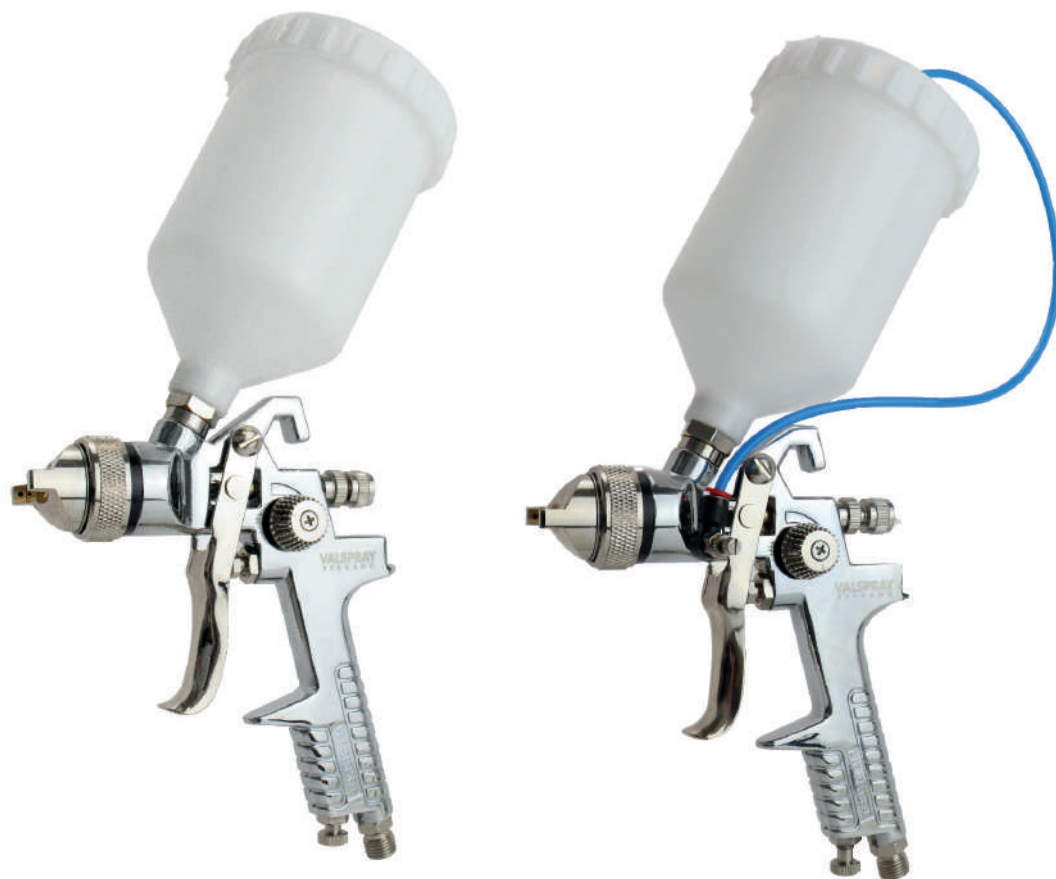
MANUAL SPRAY GUN VS Z3

CODE	FLUID NOZZLE Ø MM	PRESSURE BAR	AIR CONSUMPTION LT/MIN	FLUID OUTPUT ML/MIN	FAN WIDTH +20 MM	PRICE
VSZ3S13	1.3	3.0 -3.5	380	300	320	
VSZ3S15	1.5	3.0 -3.5	380	300	320	
VSZ3S17	1.7	3.0 -3.5	380	300	320	
VSZ3S20	2.0	3.0 -3.5	380	300	320	
VSZ3S25	2.5	3.0 -3.5	380	300	320	

MANUAL SPRAY GUN VS Z3 PRESSURE

CODE	FLUID NOZZLE Ø MM	PRESSURE BAR	AIR CONSUMPTION LT/MIN	FLUID OUTPUT ML/MIN	FAN WIDTH +20 MM	PRICE
VSZ3P13	1.3	3.0 -3.5	380	300	320	
VSZ3P15	1.5	3.0 -3.5	380	300	320	
VSZ3P17	1.7	3.0 -3.5	380	300	320	
VSZ3P20	2.0	3.0 -3.5	380	300	320	
VSZ3P25	2.5	3.0 -3.5	380	300	320	

SPRAY GUNS: LOW PRESSURE UPPER CUP



SPARE PARTS EXPLODED
VIEW VS827
Pag. 286

**NOZZLE AND NEEDLE IN
STAINLESS STEEL**

STANDARD
SPARE PARTS



STANDARD CUP
Cod. RARC6R827
PRESSURE CUP
Cod. RARC6RP



AIR FLOW
REGULATOR
Cod. RG00PRE



NOZZLE KIT
Cod. 8274XX

MANUAL SPRAY GUN VS 827

CODE	FLUID NOZZLE Ø MM	PRESSURE BAR	AIR CONSUMPTION LT/MIN	FLUID OUTPUT ML/MIN	FAN WIDTH +-20 MM	PRICE
827120	1.2	3.0 -3.5	320	300	300	
827140	1.4	3.0 -3.5	320	300	300	
827170	1.7	3.0 -3.5	320	300	300	
827200	2.0	3.0 -3.5	320	300	300	
827250	2.5	3.0 -3.5	320	300	300	
827300	3.0	3.0 -3.5	320	300	300	

MANUAL SPRAY GUN VS 827 PRESSURE

CODE	FLUID NOZZLE Ø MM	PRESSURE BAR	AIR CONSUMPTION LT/MIN	FLUID OUTPUT ML/MIN	FAN WIDTH +-20 MM	PRICE
827P170	1.7	3.0 -3.5	320	300	300	
827P200	2.0	3.0 -3.5	320	300	300	
827P250	2.5	3.0 -3.5	320	300	300	
827P300	3.0	3.0 -3.5	320	300	300	

SPRAY GUNS: LOW PRESSURE UPPER CUP



STANDARD
SPARE PARTS:

CUP E70 600cc
Cod. E70TN60
CUP E70 1000CC
Cod. E70TA10



NOZZLE KIT
Cod. E70KXXX



STANDARD
SPARE PARTS:



NOZZLE KIT
Cod. G70KXXX

MANUAL SPRAY GUN E 70

CODE	FLUID NOZZLE Ø MM	PRESSURE BAR	PRICE
E70000112	1.2	3.5 - 4.5	
E70000114	1.4	3.5 - 4.5	
E70000115	1.5	3.5 - 4.5	
E70000116	1.6	3.5 - 4.5	
E70000118	1.8	3.5 - 4.5	
E70000120	2.0	3.5 - 4.5	
E70000122	2.2	3.5 - 4.5	
E70000125	2.5	3.5 - 4.5	
E70000130	3.0	3.5 - 4.5	
E70000140	4.0	3.5 - 4.5	

MANUAL SPRAY GUN G 70

CODE	FLUID NOZZLE Ø MM	PRESSURE BAR	PRICE
G70000112	1.2	3.5 - 4.5	
G70000114	1.4	3.5 - 4.5	
G70000115	1.5	3.5 - 4.5	
G70000116	1.6	3.5 - 4.5	
G70000118	1.8	3.5 - 4.5	
G70000120	2.0	3.5 - 4.5	
G70000122	2.2	3.5 - 4.5	
G70000125	2.5	3.5 - 4.5	
G70000130	3.0	3.5 - 4.5	
G70000140	4.0	3.5 - 4.5	

SPRAY GUNS: LOW PRESSURE UPPER CUP



MINI MANUAL SPRAY GUN RL-90F

CODE	FLUID NOZZLE Ø MM	PRESSURE BAR	AIR CONSUMPTION LT/MIN	FAN WIDTH +-10 MM	PRICE
RL-90F04	0.4	0.9-1.5	40	40	
RL-90F06	0.6	0.9-1.5	70	60	
RL-90F08	0.8	0.9-1.5	70	80	
RL-90F10	1.0	0.9-1.5	70	100	

STANDARD
SPARE
PARTS:



CUP RL-90 150cc
Cod. RC-51M00

MINI MANUAL SPRAY GUN RL-90R

CODE	FLUID NOZZLE Ø MM	PRESSURE BAR	AIR CONSUMPTION LT/MIN	FAN WIDTH +-10 MM	PRICE
RL-90R04	0.4	0.9-1.5	30	25	
RL-90R06	0.6	0.9-1.5	50	35	
RL-90R08	0.8	0.9-1.5	50	35	
RL-90R10	1.0	0.9-1.5	50	40	



MINI MANUAL SPRAY GUN AH 2000

CODE	FLUID NOZZLE Ø MM	PRESSURE BAR	AIR CONSUMPTION LT/MIN	FAN WIDTH +-10 MM	PRICE
828050	0.5	3.0	70	50	
828080	0.8	3.0	85	70	
828100	1.0	3.0	85	80	
828120	1.2	3.0	100	100	
828150	1.5	3.0	100	120	

STANDARD
SPARE PARTS:



CUP AH 2000 125cc
Cod. 828012A

SPRAY GUNS KIT BOX

KIT BOX VS 703 STANDARD

VSB703XX

1 SPRAY GUN VS 703

3 CUP FILTER

1 NEEDLE GASKET KIT

1 CLEANING BRUSH

1 KEY TOOL



KIT BOX VS 703 PRESSURE

VS703BPXX

1 SPRAY GUN VS 703 PRESSURE

3 CUP FILTER

1 NEEDLE GASKET KIT

1 CLEANING BRUSH

1 KEY TOOL

KIT BOX VS 827 STANDARD

BX827XXX

1 SPRAY GUN VS 827

3 CUP FILTER

1 NEEDLE GASKET KIT

1 CLEANING BRUSH

1 KEY TOOL



SPRAY GUNS KIT BOX

KIT BOX VS 827 PRESSURE

PBX827XXX

1 SPRAY GUN VS 827 PRESSURE

3 CUP FILTER

1 NEEDLE GASKET KIT

1 CLEANING BRUSH

1 KEY TOOL



KIT BOX VS 4300 STANDARD

R4300BPXX

1 SPRAY GUN VS 4300

3 CUP FILTER

1 NEEDLE GASKET KIT

1 CLEANING BRUSH

1 KEY TOOL

KIT BOX VS 4300 PRESSURE

PR4300BPXX

1 SPRAY GUN VS 4300 PRESSURE

3 CUP FILTER

1 NEEDLE GASKET KIT

1 CLEANING BRUSH

1 KEY TOOL



SPRAY GUNS KIT BOX

KIT BOX VS 830 STANDARD

RVS830BPXX

1 SPRAY GUN VS 830

3 CUP FILTER

1 NEEDLE GASKET KIT

1 CLEANING BRUSH

1 KEY TOOL



KIT BOX VS 830 PRESSURE

PRVS830BPXX

1 SPRAY GUN VS 830 PRESSURE

3 CUP FILTER

1 NEEDLE GASKET KIT

1 CLEANING BRUSH

1 KEY TOOL

KIT BOX AM5008 STANDARD

508LXXK2

1 SPRAY GUN AM 5008

3 CUP FILTER

1 NEEDLE GASKET KIT

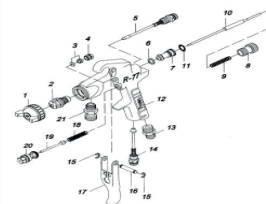
1 CLEANING BRUSH

1 KEY TOOL

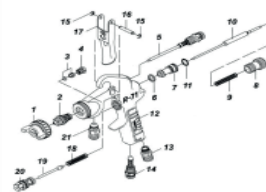
1 AIR REGULATOR R11



SPRAY GUNS: LOW PRESSURE INFERIOR CUP



SPARE PARTS EXPLODED
VIEW R77
Pag. 296



SPARE PARTS EXPLODED
VIEW R71
Pag. 295

STANDARD
SPARE PARTS:



Cup R77
Cod. RC138



Cup R71
Cod. RC214

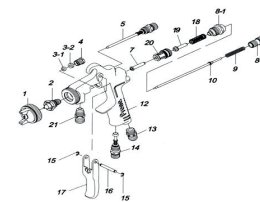
MANUAL SPRAY GUN R77 IP

CODE	FLUID NOZZLE Ø MM	PRESSURE BAR	AIR CONSUMPTION LT/MIN	FLUID OUTPUT ML/MIN	FAN WIDTH +-20 MM	PRICE
IP770012	1.2	3.0-3.5	430	180	380	
IP770015	1.5	3.0-3.5	290	250	260	
IP770020	2.0	3.0-3.5	360	370	290	
IP770025	2.5	3.0-3.5	460	440	300	

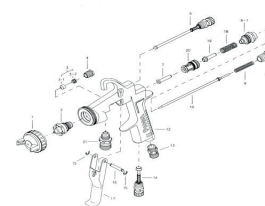
MANUAL SPRAY GUN R71 IP

CODE	FLUID NOZZLE Ø MM	PRESSURE BAR	AIR CONSUMPTION LT/MIN	FLUID OUTPUT ML/MIN	FAN WIDTH +-20 MM	PRICE
I710008	0.8	2.5-3.0	70	80	90	
I710010	1.0	2.5-3.0	75	100	100	
I710013	1.3	2.5-3.0	195	140	155	
I710015	1.5	2.5-3.0	230	170	170	
I710018	1.8	2.5-3.0	250	220	180	

SPRAY GUNS: LOW PRESSURE INFERIOR CUP



SPARE PARTS EXPLODED
VIEW VS503
Pag. 290



SPARE PARTS EXPLODED
VIEW VS603
Pag. 289

STANDARD
SPARE PARTS:



CUP VS603T
Cod. RCL10B



CUP VS503T
Cod. RCL7B

**NOZZLE AND NEEDLE IN
STAINLESS STEEL**

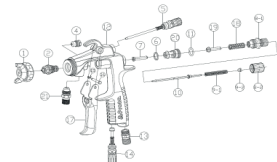
MANUAL SPRAY GUN VS 603T

CODE	FLUID NOZZLE Ø MM	AIR NOZZLE	PRESSURE BAR	AIR CONSUMPTION LT/MIN	FLUID OUTPUT ML/MIN	FAN WIDTH +-20 MM	PRICE
VS60312VT	1.2	VLSVB2	2.5	370	400	400	
VS60315T	1.5	VKS2B	2.5	330	270	340	
VS60318T	1.8	VKS2B	2.5	290	290	340	
VS60320T	2.0	VRS2B	2.5	360	410	320	
VS60325T	2.5	VWS2B	2.5	360	510	330	

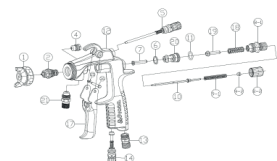
MANUAL SPRAY GUN VS 503T

CODE	FLUID NOZZLE Ø MM	AIR NOZZLE	PRESSURE BAR	AIR CONSUMPTION LT/MIN	FLUID OUTPUT ML/MIN	FAN WIDTH +-20 MM	PRICE
VS50308T	0.8	VES2P	2.5	115	85	130	
VS50310T	1.0	VES2P	2.5	130	85	200	
VS50313T	1.3	VES2P	2.5	150	150	160	
VS50315T	1.5	VHS2B	2.5	225	170	175	
VS50318T	1.8	VNS2B	2.5	110	210	170	

SPRAY GUNS: LOW PRESSURE INFERIOR CUP



SPARE PARTS EXPLODED
VIEW R715
Pag. 291



SPARE PARTS EXPLODED
VIEW R775
Pag. 292

STANDARD
SPARE PARTS:



CUP R775P
Cod. RCL10B



CUP R715P
Cod. RCL7B

**NOZZLE AND NEEDLE IN
STAINLESS STEEL**

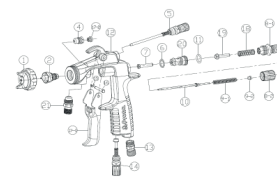
MANUAL SPRAY GUN R775 P

CODE	FLUID NOZZLE Ø MM	PRESSURE BAR	AIR CONSUMPTION LT/MIN	FLUID OUTPUT ML/MIN	FAN WIDTH +-20 MM	PRICE
R775P770012	1.2	3.5	430	480	380	
R775P770015	1.5	3.5	290	250	260	
R775P770020	2.0	3.5	360	370	290	
R775P770025	2.5	3.5	460	440	300	

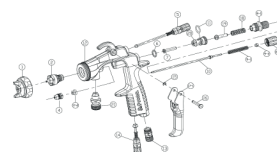
MANUAL SPRAY GUN R715 P

CODE	FLUID NOZZLE Ø MM	PRESSURE BAR	AIR CONSUMPTION LT/MIN	FLUID OUTPUT ML/MIN	FAN WIDTH +-20 MM	PRICE
R715P710008	0.8	3.5	240	200	190	
R715P710010	1.0	3.5	75	95	100	
R715P710013	1.3	3.5	195	140	155	
R715P710015	1.5	3.5	230	170	170	
R715P710018	1.8	3.5	250	220	180	

SPRAY GUNS: LOW PRESSURE INFERIOR CUP



SPARE PARTS EXPLODED
VIEW VS820
Pag. 294



SPARE PARTS EXPLODED
VIEW VS810
Pag. 293

STANDARD
SPARE PARTS:



Cup VS820
Cod. RCL10B



Cup VS810
Cod. RCL7B

**NOZZLE AND NEEDLE IN
STAINLESS STEEL**

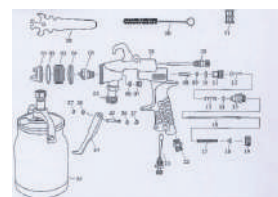
MANUAL SPRAY GUN VS820 T

CODE	FLUID NOZZLE Ø MM	PRESSURE BAR	AIR CONSUMPTION LT/MIN	FLUID OUTPUT ML/MIN	FAN WIDTH +-20 MM	PRICE
VS82012VT	1.2	2.5-3.0	560	400	350	
VS82015T	1.5	2.5-3.0	330	270	340	
VS82018T	1.8	2.5-3.0	290	290	340	
VS82020T	2.0	2.5-3.0	360	410	320	
VS82025T	2.5	2.5-3.0	360	510	330	

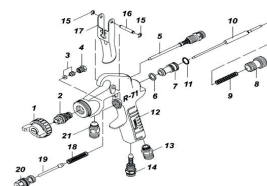
MANUAL SPRAY GUN VS810 T

CODE	FLUID NOZZLE Ø MM	PRESSURE BAR	AIR CONSUMPTION LT/MIN	FLUID OUTPUT ML/MIN	FAN WIDTH +-20 MM	PRICE
VS81008T	0.8	2.5-3.0	270	150	190	
VS81010T	1.0	2.5-3.0	145	95	200	
VS81013T	1.3	2.5-3.0	225	160	175	
VS81015T	1.5	2.5-3.0	145	200	180	
VS81018T	1.8	2.5-3.0	150	240	190	

SPRAY GUNS: LOW PRESSURE INFERIOR CUP



SPARE PARTS EXPLODED
VIEW AM6008
Pag. 297



SPARE PARTS EXPLODED
VIEW R71
Pag. 295

STANDARD
SPARE PARTS:



Cup AM6008
Cod. RCL10B



Cup RC-17R
Cod. RC-17R00

MANUAL SPRAY GUN AM6008 LVLP-S

CODE	FLUID NOZZLE Ø MM	AIR NOZZLE	PRESSURE BAR	AIR CONSUMPTION LT/MIN	PREZZO
608SL100	1.0	LVLP	2.0-3.0	198	
608SL120	1.2	LVLP	2.0-3.0	198	
608SL150	1.5	LVLP	2.0-3.0	198	
608SL180	1.8	LVLP	2.0-3.0	198	
608SL200	2.0	LVLP	2.0-3.0	198	
608SL250	2.5	LVLP	2.5-3.0	198	

MANUAL SPRAY GUN SGD71

CODE	FLUID NOZZLE Ø MM	PRESSURE BAR	AIR CONSUMPTION LT/MIN	FLUID OUTPUT ML/MIN	PREZZO
SGD100	1.0	1.0-2.5	80	80	
SGD150	1.5	1.0-2.5	120	160	
SGD120	2.0	1.0-2.5	140	240	

SPRAY GUNS: LOW PRESSURE INFERIOR CUP

**NOZZLE AND NEEDLE
IN STAINLESS STEEL**



MANUAL SPRAY GUN VS 603 PRESSURIZED

DESIGNED FOR DENSE PRODUCTS

CODE	FLUID NOZZLE Ø MM	AIR NOZZLE	PRESSURE BAR	AIR CONSUMPTION LT/MIN	FLUID OUTPUT ML/MIN	FAN WIDTH +-20 MM	PRICE
VS603P20	2.0	VRS2B	3.0	260	350	290	
VS603P25	2.5	VWS2B	3.0	360	440	280	

MANUAL SPRAY GUN VS 603 PRESSURIZED 871

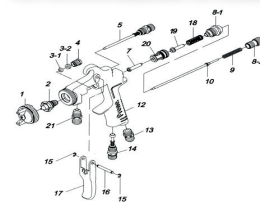
DESIGNED FOR DENSE PRODUCTS

CODE	FLUID NOZZLE Ø MM	AIR NOZZLE	PRESSURE BAR	AIR CONSUMPTION LT/MIN	FLUID OUTPUT ML/MIN	FAN WIDTH +-20 MM	PRICE
VR87160325	2.5	VR10W	3.0-4.0	140	440	100-250	
VR87160225	2.5	VR25W	2.0-3.0	200	440	250-400	

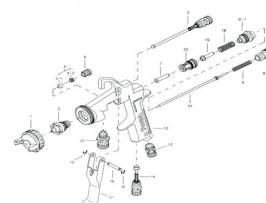
SPRAY GUNS: LOW PRESSURE FOR PUMPS



**NOZZLE AND NEEDLE
IN STAINLESS STEEL**



**SPARE PARTS EXPLODED
VIEW VS503
Pag. 290**



**SPARE PARTS EXPLODED
VIEW VS603
Pag. 289**

**STANDARD
SPARE PARTS:**



**NOZZLE KIT VS503
Cod. VS5P1001XX**



**NOZZLE KIT VS603
Cod. VS6P2001XX**

MANUAL SPRAY GUN VS 603

CODE	FLUID NOZZLE Ø MM	AIR NOZZLE	PRESSURE BAR	AIR CONSUMPTION LT/MIN	FLUID OUTPUT ML/MIN	FAN WIDTH +-20 MM	PRICE
VS60312V	1.2	VLSVB2	2.5	370	290	400	
VS60312G	1.2	VGS2BP	2.5	560	400	400	
VS60315	1.5	VKS2B	2.5	330	340	290	
VS60318	1.8	VKS2B	2.5	290	290	340	
VS60320	2.0	VRS2B	2.5	360	350	290	
VS60325	2.5	VWS2B	2.5	360	440	280	

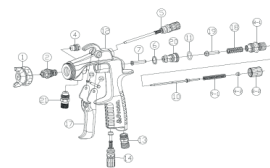
MANUAL SPRAY GUN VS 503

CODE	FLUID NOZZLE Ø MM	AIR NOZZLE	PRESSURE BAR	AIR CONSUMPTION LT/MIN	FLUID OUTPUT ML/MIN	FAN WIDTH +-20 MM	PRICE
VS50308	0.8	VES2P	2.5	270	150	190	
VS50310	1.0	VES2P	2.5	270	200	220	
VS50313	1.3	VES2P	2.5	220	200	210	
VS50315	1.5	VHS2B	2.5	225	170	175	
VS50318	1.8	VNS2B	2.5	110	210	170	

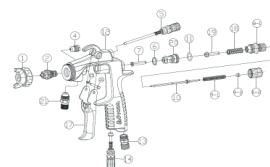
SPRAY GUNS: LOW PRESSURE FOR PUMPS



**NOZZLE AND NEEDLE
IN STAINLESS STEEL**



**SPARE PARTS EXPLODED
VIEW R715
Pag. 291**



**SPARE PARTS EXPLODED
VIEW R775
Pag. 292**

**STANDARD
SPARE PARTS:**



**NOZZLE KIT R715
Cod. 715R1XX**



**NOZZLE KIT R775
Cod. 775R1XX**

MANUAL SPRAY GUN R775

CODE	FLUID NOZZLE Ø MM	PRESSURE BAR	AIR CONSUMPTION LT/MIN	FLUID OUTPUT ML/MIN	FAN WIDTH +-20 MM	PRICE
R775012	1.2	3.5	430	480	380	
R775015	1.5	3.5	290	250	260	
R775020	2.0	3.5	360	370	290	
R775025	2.5	3.5	460	440	300	

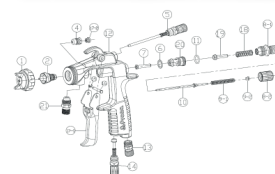
MANUAL SPRAY GUN R715

CODE	FLUID NOZZLE Ø MM	PRESSURE BAR	AIR CONSUMPTION LT/MIN	FLUID OUTPUT ML/MIN	FAN WIDTH +-20 MM	PRICE
R715008	0.8	3.0	240	200	190	
R715010	1.0	3.5	75	95	100	
R715013	1.3	3.5	195	140	155	
R715015	1.5	3.5	230	170	170	
R715018	1.8	3.5	250	220	180	

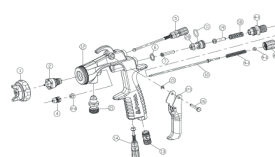
SPRAY GUNS: LOW PRESSURE FOR PUMPS



**NOZZLE AND NEEDLE
IN STAINLESS STEEL**



**SPARE PARTS EXPLODED
VIEW VS820**
Pag. 294



**SPARE PARTS EXPLODED
VIEW VS810**
Pag. 293

**STANDARD
SPARE PARTS:**



NOZZLE KIT VS810
Cod. 810R1XX



NOZZLE KIT VS820
Cod. 820R1XX

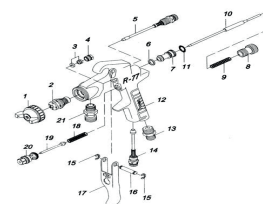
MANUAL SPRAY GUN VS820

CODE	FLUID NOZZLE Ø MM	PRESSURE BAR	AIR CONSUMPTION LT/MIN	FLUID OUTPUT ML/MIN	FAN WIDTH +/-20 MM	PRICE
VS82012	1.2	2.5-3.0	560	400	350	
VS82015	1.5	2.5-3.0	330	270	340	
VS82018	1.8	2.5-3.0	290	290	340	
VS82020	2.0	2.5-3.0	360	410	320	
VS82025	2.5	2.5-3.0	360	510	330	

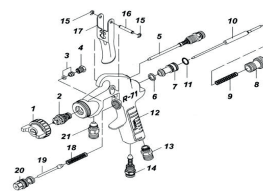
MANUAL SPRAY GUN VS810

CODE	FLUID NOZZLE Ø MM	PRESSURE BAR	AIR CONSUMPTION LT/MIN	FLUID OUTPUT ML/MIN	FAN WIDTH +/-20 MM	PRICE
VS81008	0.8	2.5-3.0	270	150	190	
VS81010	1.0	2.5-3.0	145	95	200	
VS81013	1.3	2.5-3.0	225	160	175	
VS81015	1.5	2.5-3.0	145	200	180	
VS81018	1.8	2.5-3.0	150	240	190	

SPRAY GUNS: LOW PRESSURE FOR PUMPS



SPARE PARTS EXPLODED
VIEW R77
Pag. 296



SPARE PARTS EXPLODED
VIEW R71
Pag. 295

STANDARD
SPARE PARTS:



NOZZLE KIT R71
Cod. P7101XX
Ø0.8/1.0
Ø1.3/1.5/1.8



NOZZLE KIT R77
Cod. P7701XX
Ø1.2/3.0/4.0
Ø1.5/2.0/2.5

MANUAL SPRAY GUN R77

CODE	FLUID NOZZLE Ø MM	PRESSURE BAR	AIR CONSUMPTION LT/MIN	FLUID OUTPUT ML/MIN	FAN WIDTH +-20 MM	PRICE
P770012	1.2	3.0-3.5	430	180	380	
P770015	1.5	3.0-3.5	290	250	260	
P770020	2.0	3.0-3.5	360	370	290	
P770025	2.5	3.0-3.5	460	440	300	
P770030	3.0	3.0-3.5	490	480	310	
P770040	4.0	3.0-3.5	520	500	325	

MANUAL SPRAY GUN R71

CODE	FLUID NOZZLE Ø MM	PRESSURE BAR	AIR CONSUMPTION LT/MIN	FLUID OUTPUT ML/MIN	FAN WIDTH +-20 MM	PRICE
P710008	0.8	2.5-3.0	70	80	90	
P710010	1.0	2.5-3.0	75	100	100	
P710013	1.3	2.5-3.0	195	140	155	
P710015	1.5	2.5-3.0	230	170	170	
P710018	1.8	2.5-3.0	250	220	180	

SPRAY GUNS: LOW PRESSURE FOR PUMPS



MODEL Z

NOZZLE AND NEEDLE MADE OF TREATED NITRIDE

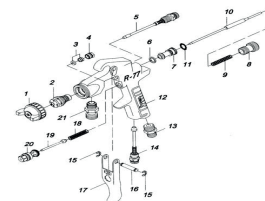
DESIGNED FOR SPRAYING PRODUCTS THAT CONTAIN: CERAMICS, ANTI-CORROSION AND INORGANIC GALVANTS



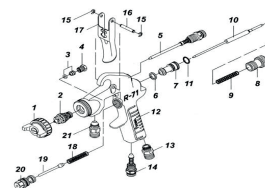
MODEL INOX

NOZZLE AND NEEDLE MADE OF STAINLESS STEEL 316 - 303

DESIGNED FOR ABRASIVE AND AGGRESSIVE PRODUCTS



SPARE PARTS EXPLODED VIEW R77
Pag. 296



SPARE PARTS EXPLODED VIEW R71
Pag. 295

STANDARD SPARE PARTS:



NOZZLE KIT R77-Z
Cod. P7701XXZ



NOZZLE KIT R71-I
Cod. P7101XXI
Ø0.8/1.0
Ø1.3/1.5/1.8

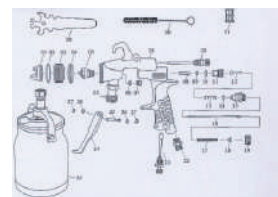
MANUAL SPRAY GUN R77 Z

CODE	FLUID NOZZLE Ø MM	PRESSURE BAR	AIR CONSUMPTION LT/MIN	FLUID OUTPUT ML/MIN	FAN WIDTH +-20 MM	PRICE
P770020Z	2.0	3.5	293	370	280	
P770025Z	2.5	3.5	300	660	380	
P770030Z	3.0	3.5	329	699	440	

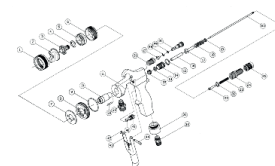
MANUAL SPRAY GUN R71 INOX

CODE	FLUID NOZZLE Ø MM	PRESSURE BAR	AIR CONSUMPTION LT/MIN	FLUID OUTPUT ML/MIN	FAN WIDTH +-20 MM	PRICE
P710008I	0.8	2.5-3.0	70	80	90	
P710010I	1.0	2.5-3.0	75	100	100	
P710013I	1.3	2.5-3.0	195	140	155	
P710015I	1.5	2.5-3.0	230	170	170	
P710018I	1.8	2.5-3.0	250	220	180	

SPRAY GUNS: LOW PRESSURE FOR PUMPS



SPARE PARTS EXPLODED
VIEW AM6008
Pag. 297



SPARE PARTS EXPLODED
VIEW 591
Pag. 298

STANDARD
SPARE PARTS:



NOZZLE KIT AM6008
Cod. 608PL3XX



NOZZLE KIT 591
Cod. 5914XX

MANUAL SPRAY GUN AM6008 LVLP-P

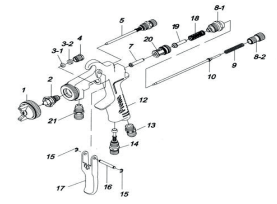
CODE	FLUID NOZZLE Ø MM	AIR NOZZLE	PRESSURE BAR	AIR CONSUMPTION LT/MIN	PRICE
608PL100	1.0	LVLP	2.0-3.0	198	
608PL120	1.2	LVLP	2.0-3.0	198	
608PL150	1.5	LVLP	2.0-3.0	198	
608PL180	1.8	LVLP	2.0-3.0	198	
608PL200	2.0	LVLP	2.0-3.0	198	
608PL250	2.5	LVLP	2.5-3.0	198	

MANUAL SPRAY GUN 591 HVLP

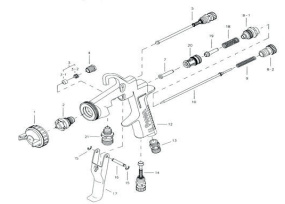
CODE	FLUID NOZZLE Ø MM	AIR NOZZLE	PRESSURE BAR	AIR CONSUMPTION LT/MIN	PRICE
591100	1.0	HVLP	2.0-3.0	250	
591140	1.4	HVLP	2.0-3.0	250	
591160	1.6	HVLP	2.0-3.0	250	
591200	2.0	HVLP	2.0-3.0	250	

SPRAY GUNS: LOW PRESSURE FOR PUMPS

**NOZZLE AND NEEDLE
IN STAINLESS STEEL**



**SPARE PARTS EXPLODED
VIEW VS503
Pag. 290**



**SPARE PARTS EXPLODED
VIEW VS603
Pag. 289**



**STANDARD
SPARE PARTS:**



**NOZZLE KIT VS503
Cod. VS5R1001XX**



**NOZZLE KIT VS603
Cod. VS6R2001XX**

MANUAL SPRAY GUN R 603

ROUND SPRAY PATTERN

CODE	FLUID NOZZLE Ø MM	AIR NOZZLE	PRESSURE BAR	AIR CONSUMPTION LT/MIN	FLUID OUTPUT ML/MIN	ROUND PATTERN +-20 MM	PRICE
RV603VS1	1.5	VKS2B	2.5	100	100	100	
RV603VS2	1.8	VKS2B	2.5	120	110	90	
RV603VS3	2.0	VRS2B	2.5	140	120	85	
RV603VS4	2.5	VWS2B	2.5	145	135	85	

MANUAL SPRAY GUN R 503

ROUND SPRAY PATTERN

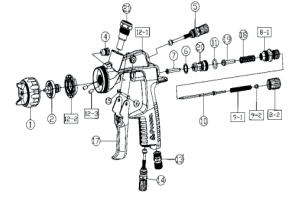
CODE	FLUID NOZZLE Ø MM	AIR NOZZLE	PRESSURE BAR	AIR CONSUMPTION LT/MIN	FLUID OUTPUT ML/MIN	ROUND PATTERN +-20 MM	PRICE
RV503VS1	0.5	VES2P	2.5	50	30	40	
RV503VS2	0.8	VES2P	2.5	70	40	60	
RV503VS3	1.0	VES2P	2.5	80	50	75	
RV503VS4	1.3	VES2P	2.5	90	80	90	
RV503VS5	1.5	VHS2B	2.5	100	100	105	
RV503VS6	1.8	VNS2B	2.5	120	110	95	

SPRAY GUNS: LOW PRESSURE FOR PUMPS



**NOZZLE AND NEEDLE
IN STAINLESS STEEL**

**HIGH QUALITY SPRAY GUN DESIGNED
FOR TOP COAT IN PLASTIC,
AUTOMOTIV AND WOOD INDUSTRY**



**SPARE PARTS EXPLODED
VIEW VS4300
Pag. 283**

**STANDARD
SPARE PARTS:**



**NOZZLE KIT VS4300
Cod. 4300R1XX**

MANUAL SPRAY GUN VS4300-S

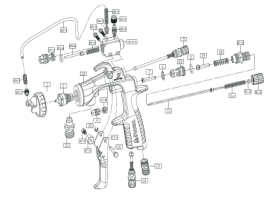
CODE	FLUID NOZZLE Ø MM	PRESSURE BAR	AIR CONSUMPTION LT/MIN	FLUID OUTPUT ML/MIN	FAN WIDTH +-20 MM	PRICE
VS4003S08	0.8	2.0-2.5	360	360	295	
VS4003S11	1.1	2.0-2.5	360	380	310	
VS4003S13	1.3	2.0-2.5	360	410	330	
VS4003S14	1.4	2.0-2.5	360	418	338	
VS4003S15	1.5	2.0-2.5	360	430	350	
VS4003S18	1.8	2.0-2.5	360	462	382	
VS4003S20	2.0	2.0-2.5	360	480	390	
VS4003S22	2.2	2.0-2.5	360	500	405	

MANUAL SPRAY GUN MRS

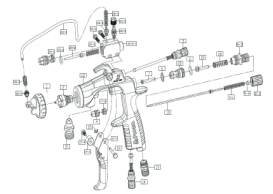
CODE	FLUID NOZZLE Ø MM	PRESSURE BAR	AIR CONSUMPTION LT/MIN	SPRAY PATTERN TYPE	PRICE
MRS-F03	0.3	2.0	35	FAN	
MRS-F05	0.5	2.0	40	FAN	
MRS-F08	0.8	2.0	45	FAN	
MRS-R03	0.3	2.0	35	ROUND	
MRS-R05	0.5	2.0	40	ROUND	
MRS-R08	0.8	2.0	45	ROUND	



SPRAY GUNS FOR TWO-COMPONENT



SPARE PARTS EXPLODED
VIEW R2101H
Pag. 301



SPARE PARTS EXPLODED
VIEW R2102H
Pag. 301

STANDARD
SPARE PARTS:



NOZZLE KIT R2101H
Cod. R1H1XX



NOZZLE KIT R2102H
Cod. R2H1XX

MANUAL SPRAY GUN R210-1H

CODE	FLUID NOZZLE Ø MM	PRESSURE BAR	AIR CONSUMPTION LT/MIN	SIDE NOZZLE ØMM	PRICE
R2101H10	1.0	2.5	333	0.8	
R2101H15	1.5	2.5	333	0.8	
R2101H20	2.0	2.5	333	0.8	

MANUAL SPRAY GUN R210-2H

CODE	FLUID NOZZLE Ø MM	PRESSURE BAR	AIR CONSUMPTION LT/MIN	SIDE NOZZLE ØMM	PRICE
R2102H15	1.5	2.5	333	0.8	

SPRAY GUNS FOR TWO-COMPONENT LP



MRS-R DOUBLE

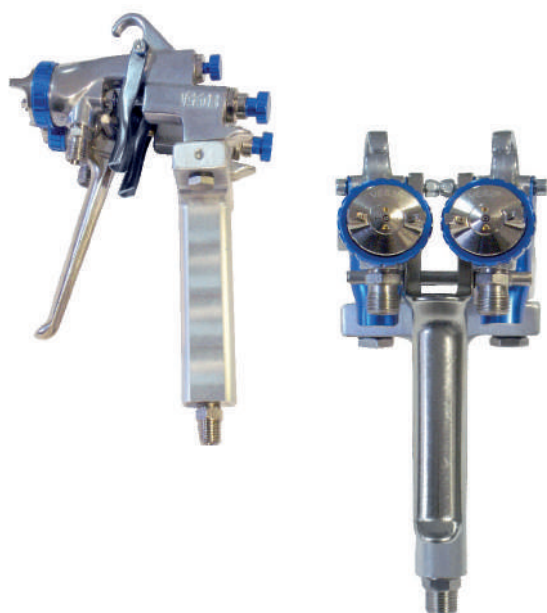
CODE	FLUID NOZZLE Ø MM	PRESSURE BAR	PRICE
MRS2K08	0.8	2.0	
MRS2K10	1.0	2.0	
MRS2K13	1.3	2.0	

VSPRO-BI 891

CODE	FLUID NOZZLE Ø MM	PRESSURE BAR	PRICE
891W08	0.8	2.0	
891W10	1.0	2.0	
891W20	20	2.0	



FB DOPPIA



CODE	FLUID NOZZLE Ø MM	PRESSURE BAR	PRICE
FB2K08	0.8	2.0	
FB2K10	1.0	2.0	
FB2K13	1.3	2.0	
FB2K15	1.5	2.0	
FB2K18	1.8	2.0	

SPRAY GUNS: MANUAL EXTENDED HEAD

SPRAY GUN 503-L-P12



FULL ROUND SPRAY PATTERN

CODE	FLUID NOZZLE Ø MM	EXTENSION LENGTH	PRICE
503-L-P121	1.2	150 MM	
503-L-P122	1.2	300 MM	
503-L-P123	1.2	450 MM	
503-L-P124	1.2	500 MM	
503-L-P125	1.2	600 MM	
503-L-P126	1.2	800 MM	
503-L-P127	1.2	1000 MM	
503-L-P128	1.2	1500 MM	

SPRAY GUN 503-L-P13

CODE	FLUID NOZZLE Ø MM	EXTENSION LENGTH	PRICE
503-L-P131	1.3	150 MM	
503-L-P132	1.3	300 MM	
503-L-P133	1.3	500 MM	
503-L-P134	1.3	800 MM	
503-L-P135	1.3	1000 MM	
503-L-P136	1.3	1500 MM	
503-L-P137	1.3	2000 MM	



RADIAL ROUND SPRAY PATTERN

SPRAY PATTERN
FAN 19°



SPRAY GUN R-12

CODE	FLUID NOZZLE Ø MM	EXTENSION LENGTH	PRICE
R-1218	0.6	180 MM	
R-1225	0.6	250 MM	
R-1235	0.6	350 MM	

SPRAY GUN VS503-PS

CODE	FLUID NOZZLE Ø MM	EXTENSION LENGTH	PRICE
VS503-PS01	1.8	400 MM	
VS503-PS02	1.8	500 MM	

ADJUSTABLE CONE
PATTERN



FLEXIBLE FAN PATTERN 180°



SPRAY GUN LR-PO8

CODE	FLUID NOZZLE Ø MM	EXTENSION LENGTH	PRICE
LR-PO80501	1.3	500 MM	
LR-PO805015	1.5	500 MM	
LR-PO80801	1.3	800 MM	
LR-PO80805	1.5	800 MM	
LR-PO81001	1.3	1000 MM	
LR-PO81005	1.5	1000 MM	
LR-PO81501	1.3	1500 MM	
LR-PO81505	1.5	1500 MM	

SPRAY GUNS: AUTOMATIC LOW PRESSURE



SPRAY GUN RA-C1

CODE	FLUID NOZZLE Ø MM	PRESSURE BAR	AIR CONSUMPTION LT/MIN	FLUID OUTPUT ML/MIN	FAN WIDTH MM	PRICE
RAC105	0.5	3.0	60	60	200	
RAC110	1.0	3.0	80	250	250	
RAC113	1.3	3.0	100	350	350	
RAC120	2.0	3.0	140	400	400	

SPRAY GUN RA-C2

CODE	FLUID NOZZLE Ø MM	PRESSURE BAR	AIR CONSUMPTION LT/MIN	FLUID OUTPUT ML/MIN	FAN WIDTH MM	PRICE
RAC205	0.5	3.0	60	60	200	
RAC210	1.0	3.0	80	250	250	
RAC213	1.3	3.0	100	350	350	
RAC220	2.0	3.0	140	400	400	



SPRAY GUN RA-C1R

CODE	FLUID NOZZLE Ø MM	PRESSURE BAR	AIR CONSUMPTION LT/MIN	FLUID OUTPUT ML/MIN	ROUND MM	PRICE
RAC1R05	0.5	3.0	50	50	50	
RAC1R10	1.0	3.0	100	100	70	
RAC1R13	1.3	3.0	140	140	80	
RAC1R20	2.0	3.0	180	180	90	

SPRAY GUN RA-C2R

CODE	FLUID NOZZLE Ø MM	PRESSURE BAR	AIR CONSUMPTION LT/MIN	FLUID OUTPUT ML/MIN	ROUND MM	PRICE
RAC2R05	0.5	3.0	60	50	50	
RAC2R10	1.0	3.0	80	100	70	
RAC2R13	1.3	3.0	100	140	80	
RAC2R20	2.0	3.0	140	180	90	



SPRAY GUN RA-C1/2S

CODE	FLUID NOZZLE Ø MM	PRESSURE BAR	AIR CONSUMPTION LT/MIN	FLUID OUTPUT ML/MIN	LINE MM	PRICE
RAC1S05	0.5	3.0	60	40	18	
RAC2S05	0.5	3.0	60	40	18	

SPRAY GUN RA-C2L

CODE	FLUID NOZZLE Ø MM	PRESSURE BAR	AIR CONSUMPTION LT/MIN	FLUID OUTPUT ML/MIN	ROUND MM	PRICE
RAC2L13	1.3	3.0	170	50	100	
RAC2L20	2.0	3.0	340	60	120	



SPRAY GUNS: AUTOMATIC LOW PRESSURE



SPRAY GUN RAR-1000

CODE	NOZZLE Ø MM	PRESSURE BAR	AIR CONSUMPTION LT/MIN	FLUID OUTPUT ML/MIN	FAN WIDTH MM	PRICE
RAR1000P07	0.7	2.0	280	180	180	
RAR1000P11	1.1	2.0	280	200	230	
RAR1000P14	1.4	2.0	280	220	260	
RAR1000P17	1.7	2.0	280	250	290	

SPRAY GUN RAR-2000

CODE	NOZZLE Ø MM	PRESSURE BAR	AIR CONSUMPTION LT/MIN	FLUID OUTPUT ML/MIN	FAN WIDTH MM	PRICE
RAR2000P07	0.7	2.0	280	180	180	
RAR2000P11	1.1	2.0	280	200	230	
RAR2000P14	1.4	2.0	280	220	260	
RAR2000P17	1.7	2.0	280	250	290	



SPRAY GUN RA 210



CODE	NOZZLE Ø MM	PRESSURE BAR	AIR CONSUMPTION LT/MIN	FLUID OUTPUT ML/MIN	FAN WIDTH MM	PRICE
RA210P08	0.8	2.5-3.0	480	400	360	
RA210P10	1.0	2.5-3.0	500	450	380	
RA210P012	1.2	2.5-3.0	530	500	400	
RA210P15	1.5	2.5-3.0	330	270	340	
RA210P18	1.8	2.5-3.0	330	330	340	
RA210P20	2.0	2.5-3.0	360	400	320	
RA210P25	2.5	2.5-3.0	360	500	330	

SPRAY GUN RA 100

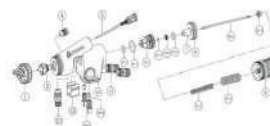
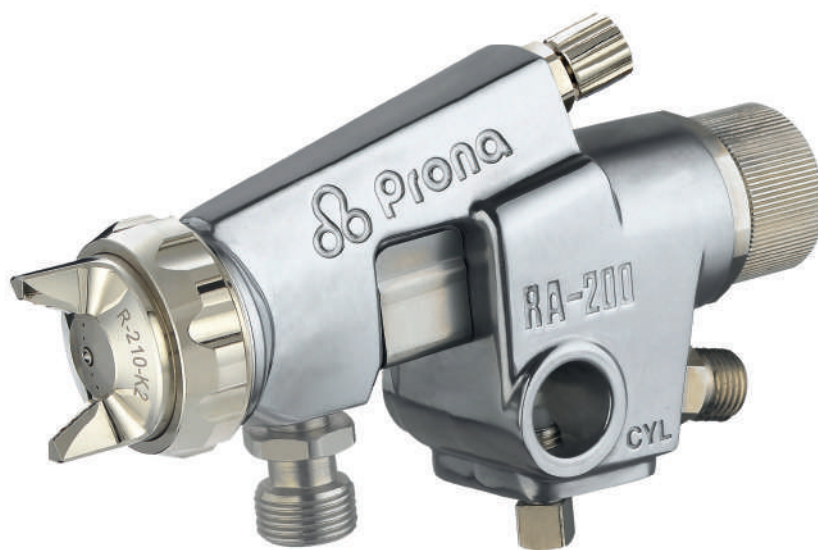
CODE	AIR NOZZLE	NOZZLE Ø MM	PRESSURE BAR	AIR CONSUMPTION LT/MIN	FLUID OUTPUT ML/MIN	FAN WIDTH MM	PRICE
RA10008	VES2B	0.8	2.5-3.0	270	150	190	
RA1010P	VES2B	1.0	2.5-3.0	270	200	220	
RA10010	VES1B	1.0	2.5-3.0	90	100	140	
RA10013	VHS2B	1.3	2.5-3.0	260	250	230	
RA10015	VHS2B	1.5	2.5-3.0	260	270	245	
RA10018	VNS2B	1.8	2.5-3.0	190	310	230	



SPRAY GUNS: AUTOMATIC LOW PRESSURE



PROTECTIVE CAP FOR RA200
Cod. RA200PC
Price:



SPARE PARTS EXPLODED VIEW RA200
Pag. 307



PNEUMATIC FAN REGULATION
Cod. RAL00VTL
Price:

STANDARD SPARE PARTS:



NOZZLE KIT RA200
Cod. RA230XX
Ø0.8/1.0
Ø1.3/1.5/1.8



NOZZLE KIT RA200-Z
Cod. RA230XXZ

SPRAY GUN RA 200

CODE	AIR NOZZLE	NOZZLE Ø MM	PRESSURE BAR	AIR CONSUMPTION LT/MIN	FLUID OUTPUT ML/MIN	FAN WIDTH MM	PRICE
RA20006	VGS2BP	0.6	2.5-3.0	490	360	350	
RA20008	VGS2BP	0.8	2.5-3.0	510	400	360	
RA20010	VGS2BP	1.0	2.5-3.0	530	480	380	
RA20012	VLSVB2	1.2	2.5-3.0	450	480	380	
RA20015	VKS2B	1.5	2.5-3.0	330	270	340	
RA20018	VKS2B	1.8	2.5-3.0	330	330	340	
RA20020	VRS2B	2.0	2.5-3.0	360	400	320	
RA20025	VWS2B	2.5	2.5-3.0	360	500	330	

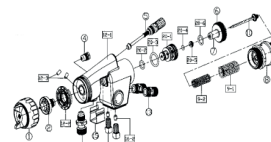
SPRAY GUN RA 200-Z

NOZZLE AND NEEDLE IN TREATED NITRIDE

DESIGNED FOR SPRAYING PRODUCTS THAT CONTAIN: CERAMICS, ANTI-CORROSION AND INORGANIC GALVANTS

CODE	AIR NOZZLE	NOZZLE Ø MM	PRESSURE BAR	AIR CONSUMPTION LT/MIN	FLUID OUTPUT ML/MIN	FAN WIDTH MM	PRICE
RA20012Z	VGS2BP	1.2	2.5-3.0	510	400	360	
RA20020Z	VRS2B	2.0	2.5-3.0	500	760	370	
RA20025Z	VWS2B	2.5	2.5-3.0	500	760	370	

SPRAY GUNS: AUTOMATIC LOW PRESSURE



SPARE PARTS EXPLODED
VIEW RA4300
Pag. 308

STANDARD
SPARE PARTS:



NOZZLE KIT RA4300
Cod. RA43KXX

SPRAY GUN RA 4300 RP

CODE	AIR NOZZLE	NOZZLE Ø MM	PRESSURE BAR	AIR CONSUMPTION LT/MIN	FLUID OUTPUT ML/MIN	FAN WIDTH MM	PRICE
RA430008	MP	0.8	2.0-2.5	360	360	280-400	
RA430010	MP	1.0	2.0-2.5	360	375	280-400	
RA430011	MP	1.1	2.0-2.5	360	385	280-400	
RA430012	MP	1.2	2.0-2.5	360	395	280-400	
RA430015	MP	1.5	2.0-2.5	360	430	280-400	
RA430018	MP	1.8	2.0-2.5	360	465	280-400	
RA430020	MP	2.0	2.0-2.5	360	485	280-400	

SPRAY GUN RA 4300 HVLP

CODE	AIR NOZZLE	NOZZLE Ø MM	PRESSURE BAR	AIR CONSUMPTION LT/MIN	FLUID OUTPUT ML/MIN	FAN WIDTH MM	PRICE
RA400308H	HVLP	0.8	2.0	450	260	280-290	
RA400310H	HVLP	1.0	2.0	450	270	280-290	
RA400311H	HVLP	1.1	2.0	450	278	280-290	
RA400312H	HVLP	1.2	2.0	450	285	280-290	
RA400315H	HVLP	1.5	2.0	450	320	280-290	

SPRAY GUNS: AUTOMATIC LOW PRESSURE



SPRAY GUN RAL 100

CODE	AIR NOZZLE	NOZZLE Ø MM	PRESSURE BAR	AIR CONSUM. LT/MIN	FLUID OUTPUT ML/MIN	FAN WIDTH MM	PRICE
RAL1008	VES1B	0.8	2.0-3.0	430	140	200	
RAL1010	VES1B	1.0	2.0-3.0	430	150	200	
RAL1012	VGS2B	1.2	2.0-3.0	530	350	270	

SPRAY GUN RAL 200

CODE	AIR NOZZLE	NOZZLE Ø MM	PRESSURE BAR	AIR CONSUM. LT/MIN	FLUID OUTPUT ML/MIN	FAN WIDTH MM	PRICE
RAL2008	VGS2B	0.8	2.0-3.0	430	140	200	
RAL2010	VGS2B	1.0	2.0-3.0	430	150	200	
RAL2012	VGS2B	1.2	2.0-3.0	530	350	270	



SPRAY GUN RAR 100



CODE	AIR NOZZLE	NOZZLE Ø MM	PRESSURE BAR	AIR CONSUM. LT/MIN	FLUID OUTPUT ML/MIN	FAN WIDTH MM	PRICE
RAR1008	VES2P	0.8	2.5-3.0	270	150	190	
RAR1010	VES2P	1.0	2.5-3.0	270	200	220	
RAR1013	VHS2B	1.3	2.5-3.0	260	250	230	
RAR1015	VHS2B	1.5	2.5-3.0	260	270	245	
RAR1018	VNS2B	1.8	2.5-3.0	190	310	240	

SPRAY GUN RAR 200

CODE	AIR NOZZLE	NOZZLE Ø MM	PRESSURE BAR	AIR CONSUM. LT/MIN	FLUID OUTPUT ML/MIN	FAN WIDTH MM	PRICE
RAR2012	VGS2B	1.2	2.5-3.0	530	500	400	
RAR2015	VKS2B	1.5	2.5-3.0	330	270	340	
RAR2018	VKS2B	1.8	2.5-3.0	330	330	340	
RAR2020	VRS2B	2.0	2.5-3.0	360	400	320	
RAR2025	VWS2B	2.5	2.5-3.0	360	500	330	



SPRAY GUNS: AUTOMATIC LOW PRESSURE

SPRAY GUN RAR 1001



CODE	AIR NOZZLE	NOZZLE Ø MM	PRESSURE BAR	AIR CONSUM. LT/MIN	FLUID OUTPUT ML/MIN	FAN WIDTH MM	PRICE
RAR100108	VES2P	0.8	2.5-3.0	270	150	190	
RAR100110E	VES2P	1.0	2.5-3.0	270	200	220	
RAR1001113	VHS2B	1.3	2.5-3.0	260	250	230	
RAR1001115	VHS2B	1.5	2.5-3.0	260	270	245	
RAR1001118	VNS2B	1.8	2.5-3.0	190	310	240	

SPRAY GUN RAR 200SI

CODE	AIR NOZZLE	NOZZLE Ø MM	PRESSURE BAR	AIR CONSUM. LT/MIN	FLUID OUTPUT ML/MIN	FAN WIDTH MM	PRICE
RAR200SI08	VGS2B	1.2	2.5-3.0	530	500	400	
RAR200SI15	VKS2B	1.5	2.5-3.0	330	270	340	
RAR200SI18	VKS2B	1.8	2.5-3.0	330	330	340	
RAR200SI20	VRS2B	2.0	2.5-3.0	360	400	320	
RAR200SI25	VWS2B	2.5	2.5-3.0	360	500	330	



SPRAY GUN RA 60



CODE	AIR NOZZLE	NOZZLE Ø MM	PRESSURE BAR	AIR CONSUM. LT/MIN	FLUID OUTPUT ML/MIN	FAN WIDTH MM	PRICE
RA60008	VGS2P	0.8	2.0-3.0	300	180	220	
RA6010P	VGS2P	1.0	2.0-3.0	310	190	230	
RA60010	VES2P	1.0	2.0-3.0	270	150	190	
RA60013	VHS2B	1.3	2.0-3.0	260	250	230	
RA60015	VHS2B	1.5	2.0-3.0	260	270	245	
RA60018	VNS2B	1.8	2.0-3.0	190	310	240	

SPRAY GUN RA 80

CODE	AIR NOZZLE	NOZZLE Ø MM	PRESSURE BAR	AIR CONSUM. LT/MIN	FLUID OUTPUT ML/MIN	FAN WIDTH MM	PRICE
RA80012	VGS2P	1.2	2.0-3.0	530	500	400	
RA80015	VKS2B	1.5	2.0-3.0	330	270	340	
RA80018	VKS2B	1.8	2.0-3.0	330	330	340	
RA80020	VRS2B	2.0	2.0-3.0	360	400	320	
RA80025	VWS2B	2.5	2.0-3.0	360	500	330	



SPRAY GUNS: AUTOMATIC LOW PRESSURE

SPRAY GUN RA503-L



FULL ROUND SPRAY PATTERN

CODE	NOZZLE Ø MM	EXTENSION LENGTH	AIR CONSUM. LT/MIN	PRICE
RA503-L-P121	1.2	150 MM	150-200	
RA503-L-P122	1.2	300 MM	150-200	
RA503-L-P123	1.2	500 MM	150-200	
RA503-L-P124	1.2	600 MM	150-200	
RA503-L-P125	1.2	800 MM	150-200	
RA503-L-P126	1.2	1000 MM	150-200	
RA503-L-P127	1.2	1500 MM	150-200	

SPRAY GUN LRA-PO8

CODE	NOZZLE Ø MM	EXTENSION LENGTH	AIR CONSUM. LT/MIN	PRICE
LRA-PO80501		150 MM	270	
LRA-PO805015	AVAILABLE	300 MM	270	
LRA-PO80801	WITH	500 MM	270	
LRA-PO80805	NOZZLE:	800 MM	270	
LRA-PO81001	0.8 - 1.0 - 1.3	1000 MM	270	
LRA-PO81501	- 1.5	1500 MM	270	



FLEXIBLE FAN PATTERN 180°

SPRAY GUN RA-12



SPRAY PATTERN FAN 45°

CODE	NOZZLE Ø MM	EXTENSION LENGTH	PRICE
RA-1218	0.6	180 MM	
RA-1225	0.6	250 MM	
RA-1235	0.6	350 MM	

SPRAY GUN RA200-PX

CODE	NOZZLE Ø MM	EXTENSION LENGTH	AIR CONSUM. LT/MIN	PRICE
RA20PX15	1.0	150 MM	140	
RA20PX30	1.0	300 MM	140	
RA20PX50	1.0	500 MM	140	
RA20PX80	1.0	800 MM	140	
RA20PX10	1.0	1000 MM	140	
RA20PX25	1.0	1500 MM	140	
RA20PX20	1.0	2000 MM	140	



RADIAL ROUND SPRAY PATTERN

SPRAY GUN RA200-PS



ADJUSTABLE CONE
PATTERN

CODE	NOZZLE Ø MM	EXTENSION LENGTH	AIR CONSUM. LT/MIN	PRICE
RA21PS18	0.8	180 MM	150-200	
RA21PS25	0.8	250 MM	150-200	
RA21PS30	0.8	300 MM	150-200	
RA21PS40	0.8	400 MM	150-200	
RA21PS50	0.8	500 MM	150-200	

AIR BRUSHES



AIR BRUSH RH-CP

CODE	NOZZLE Ø MM	CUP CAPACITY	AIR CONSUMPTION LT/MIN	FLUID OUTPUT ML/MIN	PRICE
RHCP	0.3	7 ml	14	12	

AIR BRUSH RH-BS

CODE	NOZZLE Ø MM	CUP CAPACITY	AIR CONSUMPTION LT/MIN	FLUID OUTPUT ML/MIN	PRICE
RHBS3	0.3	30 ml	14	12	
RHBS5	0.5	30 ml	16	12	



CODE	DESCRIPTION	PRICE
RHBSW/2	Plastic cup 30 cc.	



AIR BRUSH RH-BP

CODE	NOZZLE Ø MM	CUP CAPACITY	AIR CONSUMPTION LT/MIN	FLUID OUTPUT ML/MIN	PRICE
RHBP	0.3	3 ml	11	12	

AIR BRUSH RH-RDP

CODE	NOZZLE Ø MM	CUP CAPACITY	AIR CONSUMPTION LT/MIN	FLUID OUTPUT ML/MIN	PRICE
RHRDP	0.35	7/15 ml	15	12	



COMPRESSOR ASC32

CODE	POWER	VOLTAGE	AIR FLOW LT/MIN	SPEED	PRICE
ASC1132	1/3 Hp	220/240 V	35	1450 Rpm	

COMPRESSOR ASC12

CODE	POWER	VOLTAGE	AIR FLOW LT/MIN	SPEED	PRICE
ASC1112	1/5 Hp	220/240 V	23	1450 Rpm	



DISPOSABLE CUP

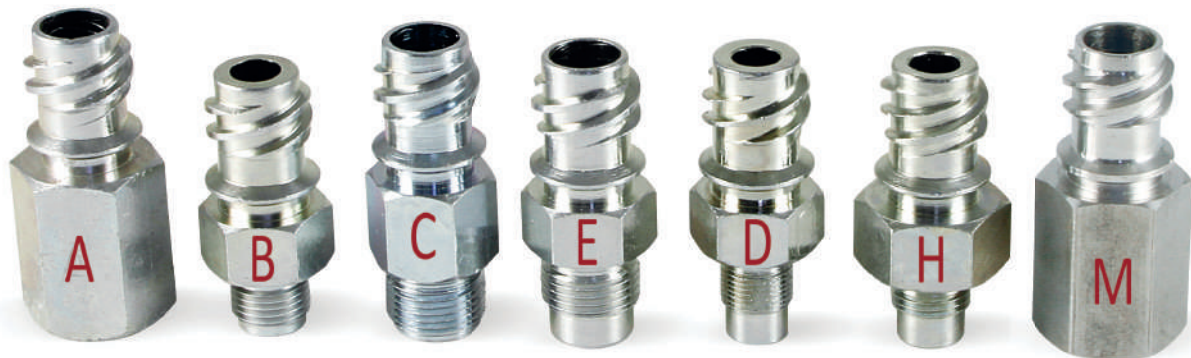
Corcup

Disposable cup without the need of an external cup, complete with integrated product filter 125micron with standard inlet thread for Flexi cups.



CODE	CUP CAPACITY	MICRON FILTER	PRICE
235001	500 ml	125	

ADAPTER FOR DISPOSABLE CUPS



CODE	DESCRIPTION	PRICE
913	Adapter (Check the below list for gun model)	

ADAPTER MODEL	SPRAY GUN MODEL	BRAND	ADAPTER MODEL	SPRAY GUN MODEL	BRAND
913-B	AR3 -AZ3 - AZ30	AIRGUNSA	913-A	AM5008	VAL SPRAY
913-B	Pininfarina W400	IWATA	913-A	W400 - WR400 LPA94 - VXL949 LPH400	IWATA
913-B	Walcom Slim	WALMEC	913-A	NR92 HVLP - JET BGR GET GR92B - JET B GET B NR95 HVLP GET B NR92	SATA
913-M	Jet 2000 - Jet 3000 Jet 5000	SATA	913-D	FX GEO - FX HVLP	WALMEC
913-E	KLC - MCB - LM2000B JET RP E DIGITAL JET 2000 HVLP NR 2000 DIGITAL JET 90/S	SATA	913-D	9011 HVLP - 1011	ASTURO
913-E	HTE GENESIS	WALMEC	913-C	Gti - GTi Pro - PRI GFP - GFVGFHV-510	DEVILBLISS

CUPS FOR SPRAY GUNS



CUP RC-6MRB WITH INTEGRATED AGITATOR

**SUITABLE FOR MODELS:
VS 830 - VS 4300
VS 703**

CODE	CUP CAPACITY	FLUID INLET	PRICE
RC6RCMB	600 cc	M 16x1.5	

CUP RC-6R

**SUITABLE FOR MODELS:
AM5008 - W400 IWATA
H827**

CODE	CUP CAPACITY	FLUID INLET	PRICE
RARC6R	600 cc	F 16x1.5	
CODE	DESCRIPTION	PRICE	
RC6RMP001	Dropless cover		



CUP RC-6M



**SUITABLE FOR MODELS:
VS 830 - VS 4300
VS 703**

CODE	CUP CAPACITY	FLUID INLET	PRICE
RC6RM	600 cc	M 16x1.5	
CODE	DESCRIPTION	PRICE	
RC6RMP001	Dropless cover		

SUITABLE FOR

**MODELS PRESSURE:
VS 830 - VS 4300 - VS 703
AM5008 - W400 IWATA - H827**

CUP PRESSURE

CODE	CUP CAPACITY	FLUID INLET	PRICE
RC6RMP	600 cc	M 16x1.5	
RARC6RP	600 cc	F 16x1.5	



CUP RC-1

CODE	CUP CAPACITY	FLUID INLET	PRICE
RC114	1000 cc	1/4"	
RC138	1000 cc	3/8"	

CUP RC-2

CODE	CUP CAPACITY	FLUID INLET	PRICE
RC214	600 cc	F 1/4"	

CUP RCL-10B

AUTOCLAVE LOCK

CODE	CUP CAPACITY	FLUID INLET	PRICE
RCL10B	1000 cc	3/8"	

CUP RCL-7B

AUTOCLAVE LOCK

CODE	CUP CAPACITY	FLUID INLET	PRICE
RCL7B	600 cc	F 1/4"	



CUPS FOR SPRAY GUNS



CUP RC-P STAINLESS STEEL

CODE	CUP CAPACITY	FLUID INLET	PRICE
RC6MIT	600 cc	M 16x1.5	
RC10MIT	1000 cc	M 16x1.5	

SUITABLE FOR MODELS

PRESSURE:

VS 830 - VS 4300

VS 703

SUITABLE FOR MODELS:

VS 830 - VS 4300

VS 703

CUP RC-A STAINLESS STEEL

CODE	CUP CAPACITY	FLUID INLET	PRICE
RC6AIT	600 cc	M 16x1.5	
RC10AIT	1000 cc	M 16x1.5	



CUP RC-4 ALUMINIUM



CODE	CUP CAPACITY	FLUID INLET	PRICE
RC-4SR00	400 cc	1/4"	
RC-4R00	400 cc	3/8"	



CUP RC-4 NYLON

CODE	CUP CAPACITY	FLUID INLET	PRICE
RC4S14	400 cc	1/4"	
RC438	400 cc	3/8"	

CUP RC-51M

CODE	CUP CAPACITY	FLUID INLET	PRICE
RC-51M00	150 cc	M 8x1.0	



CUP RC-51SR

CODE	CUP CAPACITY	FLUID INLET	PRICE
RC-51SR00	150 cc	1/4"	



CUP RC-17R

CODE	CUP CAPACITY	FLUID INLET	PRICE
RC-17R00	400 cc	1/4"	



CUP AGITATOR RC-MB

CODE	PRICE
RCMBA	



FLUID REGULATOR

CODE	FLUID INLET	PRICE
RG00PRE	4xm5	



POLYURETANIC HOSE FOR PRESSURE CUPS 1MT

CODE	DIAMETER	PRICE
35024PU	2x4	

ACCESSORIES FOR SPRAY GUNS



CODE	MESH	DESCRIPTION	H	ØE	PRICE
23003	30	Superior cup filter in nylon	35MM	10MM	
23003G	60	Superior cup filter in nylon	40MM	11MM	
23003i	60	Superior cup filter with net in stainless steel	40MM	12MM	

CODE	MESH	DESCRIPTION	H	ØE	PRICE
23001	130	Inferior cup filter in nylon	42MM	29MM	
23007	100	Inferior cup filter with stainless steel net	42MM	29MM	
23001M	80	nylon mini inferior cup filter	37MM	19MM	



CODE	MESH	DESCRIPTION	H	ØE	PRICE
23113	80	Universal filter in nylon	85MM	19MM	
23001BI	120	Two-stage universal filter in nylon	70MM	15MM	
23009	80	Inferior cup filter flat bottom with net in s.steel	41MM	25MM	

CODE	DESCRIPTION	PRICE
SH813W	Spray gun cleaning set 17 pcs	
SH81500	Single brush	



CODE	DESCRIPTION	THREAD	PRICE
AR060	Air regulator with pressure gauge	FM 1/4"	
AR050	Air regulator with knob	FM 1/4"	
RP001G	Air regulator with pressure gauge 0-7 bar complete with second inlet for 2x4 hose	FM 1/4"	

CODE	DESCRIPTION	PRICE
SL5000	Cup stainer for cups 600cc (pkg of 5pcs)	
C36000	Densimeter with brass hole DIN 4	



CODE	DESCRIPTION	LENGHT	PRICE
VSC01	Round cleaning brush	15CM	
VSC02	Round cleaning brush	28CM	
VSC03	Round cleaning brush	37CM	

FILTERING AND PAINT PREPARATION



CODE	DESCRIPTION	PRICE
C38700	Jug in nylon 1 lt	
C39700	Jug in nylon 2 lt	
C38600	Jug in nylon 3 lt	
C39400	Jug in nylon 5 lt	

CODE	MESH	DESCRIPTION	PRICE
23576	576	Nylon sieve for cups	
23011	1.100	Nylon sieve for cups	
23002	2.000	Nylon sieve for cups	
23005	5.000	Nylon sieve for cups	
23100	10.000	Nylon sieve for cups	



CODE	MICRON	DESCRIPTION	ØE	PRICE
24125	125	Paper strainer 180gsm	16MM	
24190	190	Paper strainer 180gsm	16MM	
24224	224	Paper strainer 180gsm	16MM	



CODE	DESCRIPTION	PRICE
39T020	Plastic cup 200ml	
39T050	Graded plastic cup 500ml	
39T060	Graded plastic cup 600ml	
39T100	Graded plastic cup 1000ml	
39T250	Graded plastic cup 2500ml	

CODE	DESCRIPTION	CAN SIZE	PRICE
238020	Plastic mixer	20 LT	
238025	Plastic mixer	2,5 LT	
238010	Plastic mixer	1 LT	



CODE	DESCRIPTION	PRICE
35T20	White plastic container 200 ml	
35T21	Cover for plastic container 200 ml	
35T50	White plastic container 500 ml	
35T51	Cover for plastic container 500 ml	
35T10	White plastic container 1000 ml	
35T11	Cover for plastic container 1000 ml	

PAINT CAN HOLDER AND NEBULIZER



CODE	DESCRIPTION	PRICE
VSC930	Can holder for both metal and plastic containers up to 30 kg, equipped with suction tube for the complete emptying of the drum	

CODE	DESCRIPTION	PRICE
3057024	Nebulizer in painted steel 24 L wheeled with funnel to facilitate filling, safety cap with vent for residual pressure, extensible tube and lance with shockproof and acid-resistant material nozzle	
3057026	Nebulizer in stainless steel 24 L wheeled with funnel to facilitate filling, safety cap with vent for residual pressure, extensible tube and lance with shockproof and acid-resistant material nozzle	



THICKNESS GAUGE

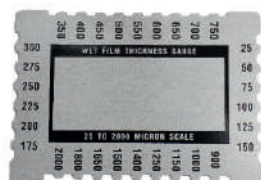
**IDEAL FOR MEASURING ANY TYPE OF COATING
FERROUS AND NON-FERROUS SUBSTRATES**



CODE	DESCRIPTION	PRICE
220121335	DEFELSKO P6000 digital thickness gauge Measuring range 0 - 1500 um The instrument is supplied with a case, plastic plates, thickness control, cable probe, calibration certificate	
220121336	DEFELSKO P6000 digital thickness gauge Measuring range 0 - 1500 um The instrument is supplied with a case, plastic plates, thickness control, incorporated probe, calibration certificate	

**IDEAL FOR MEASURING ANY TYPE OF COATING
FERROUS AND NON-FERROUS SUBSTRATES**

CODE	DESCRIPTION	PRICE
220121332	NLS-FN pocket digital thickness gauge with cable probe. The instrument is supplied with a case, plastic plates, thickness control	



CODE	DESCRIPTION	PRICE
220120487	Manual thickness gauge in aluminum ARW 1150 Measuring range 25 - 2000 Lgm Compliant with ASTM D4414, BS3900, ISO2808 standards	

AIR REGULATOR AND LUBRICATOR



CODE	DESCRIPTION	PRICE
CARE14	Air reducer MR08 0-8 bar FF 1/4" + F 1/8"	
CAKR14	Air regulator kit with base and pressure gauges 0-6 bar	
CARE15	Single regulator with plug connection for base	
CABR14	Base for regulators	
CAKR16	Air regulator kit with base (Manometers excluded)	

CODE	DESCRIPTION	PRICE
AFR8014	Air regulator filter FF 1/4"	
AFR8038	Air regulator filter FF 3/8"	
AFR8012	Air regulator filter FF 1/2"	
AFR8034	Air regulator filter FF 3/4"	



CODE	DESCRIPTION	PRICE
AFRL8014	Air regulator filter and lubricator F 1/4"	
AFRL8038	Air regulator filter and lubricator F 3/8"	
AFRL8012	Air regulator filter and lubricator F 1/2"	

CODE	DESCRIPTION	PRICE
AF8014	Air lubricator filter FF 1/4"	
AF8038	Air lubricator filter FF 3/8"	
AF8012	Air lubricator filter FF 1/2"	



CODE	DESCRIPTION	PRICE
AR50001	Air regulator filter 1" 5000 lt/min	
AF50001	Air separator filter F 1" 5000 lt/min	

CODE	DESCRIPTION	PRICE
MF80	Filter for spray guns and small tools F 1/4"	



FILTERING MASKS FOR SPRAY PAINTING



CODE	DESCRIPTION	PRICE
600003	Filter mask FFP1 NR D	
600013	Filter mask FFP2 NR D with valve	
600826	Filter mask FFP3 NR D with valve	

CODE	DESCRIPTION	PRICE
305000	Filtering mask 987 (filters not included)	
306000	Filter for mask 987 type A1B1P2	



CODE	DESCRIPTION	PRICE
102900	Filtering mask Duetta (filters not included)	
113740	Cartridge A1B1P2 for Duetta mask	
109190	Prefilters for Duetta mask (Pack of 50 pcs)	

CODE	DESCRIPTION	PRICE
112240	TR 82 mask with complete anti-scratch and anti-solvent screen (filter not included)	
123540	Filter A2B2P3	
118010	Corrugated hose TUR 801	
118280	Visor film (pack of 10 pcs)	
903110	Visor in glass	



CODE	DESCRIPTION	PRICE
4038000VS	Hard helmet for painting VS Blast	
4038001VS	Visor film (pack of 100 pcs)	
4038002VS	Acetate visor	
4038003VS	Collar	
4038004VS	Neck protection hood (optional)	
4038005VS	Silencer and fluid regulation kit	

CODE	DESCRIPTION	PRICE
1308200	Respirator with mask TR 2002 with anti-solvent screen complete with battery-powered turbine (filters excluded)	
1308400	Respirator with TR82 mask with glass screen complete with battery-powered turbine (filters excluded)	
123540	Filter A2B2P3	
1366200	Turbine battery charger	
1431100	Turbine battery pack	



TOOLS AND AIR GUNS FOR WORKSHOP



CODE	DESCRIPTION	PRICE
ADG101	Aluminum blow gun	

CODE	DESCRIPTION	PRICE
ABGB042	Plastic blow gun with 4" extension	
ABGB102	Plastic blow gun with 10" extension	



CODE	DESCRIPTION	PRICE
APGB200	Aluminum inflating gun with pressure gauge	
AUG188	Aluminum washing gun with 10 "spout	

CODE	DESCRIPTION	PRICE
ASBG116	Manual gun kit for sandblasting	



CODE	DESCRIPTION	PRICE
A95300	Manual gun R2 for paint drying	

CODE	DESCRIPTION	PRICE
POL1001028	Polyurethane gun	
SIL0028PT	Silicone gun	



CODE	DESCRIPTION	PRICE
A031010	Hose reel HR031010 with hose \varnothing 6,5 x 10 mt 10	
A031208	Hose reel HR031208 with hose \varnothing 8 x 12 mt 8	

CODE	DESCRIPTION	PRICE
AS626	Manual gun kit for plastic and rubber	



ORBITAL SANDERS

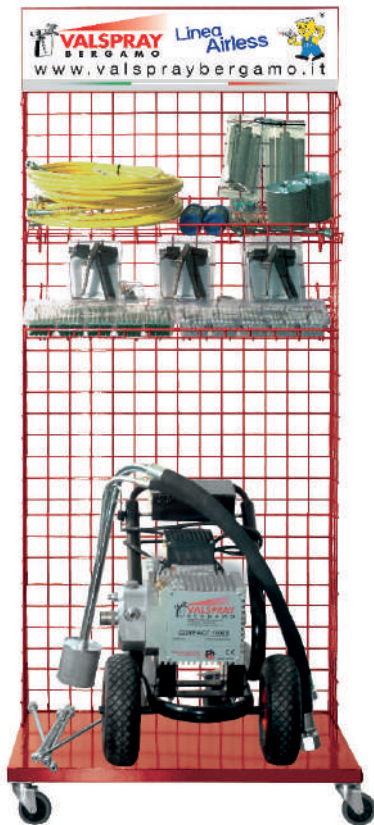
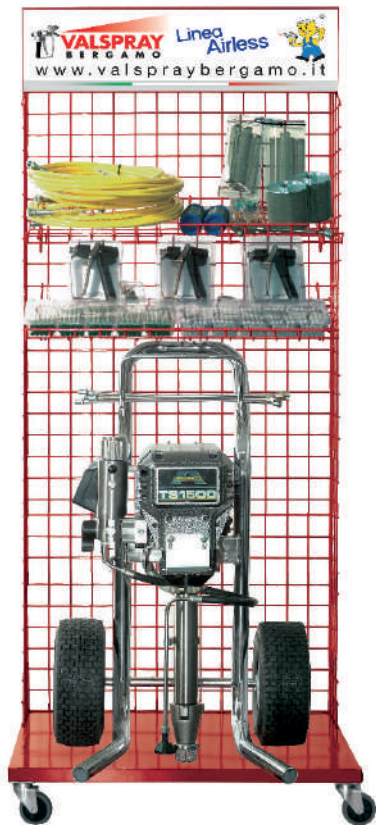


CODE	DESCRIPTION	PRICE
RP-5155A	Pneumatic orbital sander 125mm with 5mm orbit and speed of 10.000 rpm without self-vacuum	



CODE	DESCRIPTION	PRICE
RP-5155CA	Pneumatic orbital sander 125mm with 5mm orbit and speed of 10.000 rpm with center self-vacuum	

DISPLAY AND STANDS FOR WORKSHOP



CODE	DESCRIPTION	PRICE
EXSP-0023863	Bare display measures 200x80 cm	
FBVB0028	Bare gun holder up to 10 kg	

FILTERING MEDIA FOR SPRAY BOOTH



Sky filter V500MR

CODE	HEIGHT	LENGHT	PRICE PER M ²
HFR500	1 MT	20 MT	
HFR50015	1,5 MT	20 MT	
HFR50020	2 MT	20 MT	

Sky filter V600MR

CODE	HEIGHT	LENGHT	PRICE PER M ²
HFR600	1 MT	20 MT	
HFR60015	1,5 MT	20 MT	
HFR60020	2 MT	20 MT	

Prefilter HFB200

CODE	HEIGHT	LENGHT	PRICE PER M ²
HFB2001	1 MT	20 MT	
HFB20015	1,5 MT	20 MT	
HFB20020	2 MT	20 MT	



Prefilter HF150

CODE	HEIGHT	LENGHT	PRICE PER M ²
HF1501	1 MT	20 MT	
HF15015	1,5 MT	20 MT	
HF15020	2 MT	20 MT	



UPON REQUEST WE SUPPLY FRAME CELL FILTERS, POCKET FILTERS AND ANY OTHER FILTERING MEDIA FOR SPRAY PAINTING BOOTHS

FILTERING MEDIA FOR SPRAY BOOTH



Multilayer kraft filter with fiber glass filter

CODE	HEIGHT	LENGHT	PRICE
SC13AE	1.14 MT	9.5 MT	

Multilayer kraft filter

CODE	HEIGHT	LENGHT	PRICE
SC13GC	1.14 MT	9.5 MT	



Paint stop filter in fiber glass 200g/m



CODE	HEIGHT	LENGHT	TOTAL M ² PER ROLL	PRICE PER M ²
HFG2205	50 CM	20 MT	10	
HFG2206	60 CM	20 MT	12	
HFG2207	75 CM	20 MT	15	
HFG22010	100 CM	20 MT	20	
HFG22015	150 CM	20 MT	30	
HFG22020	200 CM	20 MT	40	

UPON REQUEST WE SUPPLY FRAME CELL FILTERS, POCKET FILTERS AND ANY OTHER FILTERING MEDIA FOR SPRAY PAINTING BOOTHS

FILTERING MEDIA FOR SPRAY BOOTH



Cardboard filter AF923 Andreae High Efficiency with fiber glass

CODE	HEIGHT	LENGHT	PRICE
CAAF923	90 CM	9.24 MT	
CAAF123	100 CM	8 MT	

SUITABLE FOR WATER BASE PRODUCTS WITH HIGH PERFORMANCE

Cardboard filter AF813 Andreae The Original

CODE	HEIGHT	LENGHT	PRICE
CAAF813	90 CM	9.24 MT	
CAAF113	100 CM	10 MT	
SPECIAL PRICE FOR COMPLETE PALLET 60PZ			



SUITABLE FOR WATER BASE PRODUCTS



Cardboard filter AF803 Andreae Starter

CODE	HEIGHT	LENGHT	PRICE
AF803	90 CM	9.24 MT	
CAAF103	100 CM	10 MT	
SPECIAL PRICE FOR COMPLETE PALLET 60PZ			

ONLY FOR SOLVENT BASE PRODUCTS

CARTS FOR PAINTING AND DRYING



FEATURES:

- Max distance between arms mm 1410
- Length arms mm 780
- Working space between arms mm 125
- Total height trolley mm 1880
- Shelves n° 11
- N° 4 swivel wheels diam. mm 150
- Plastic covered arms
- Carrying capacity kg 300
- Weight kg 88 complete with n° 4 arms, weight of n° 1 arms kg 15

Fixed cart C/4

CODE	HEIGHT	LENGHT	PRICE
000CBC/4	188 CM	142 CM	

FEATURES:

- Min distance between arms mm 300
- Max distance between arms mm 1430
- Length arm each side mm 780
- Working space between arms mm 125
- Total height trolley mm 1880
- Shelves n° 22
- N° 4 swivel wheels diam. mm. 150
- plastic covered arms
- Carrying capacity kg 300

Adjustable cart C/6-1X

CODE	HEIGHT	LENGHT	PRICE
000CBC/6-1X	188 CM	144 CM	



FEATURES:

- Working space between arms mm 105
- Shelves n° 12
- N° 4 swivel wheels diam. mm. 150
- Plastic covered arms
- Carrying capacity kg 500

Adjustable cart C/10

CODE	HEIGHT	LENGHT	PRICE
000CBC/10	201 CM	160 CM	



FEATURES:

- Support plate mm 500x1000
- Carrying capacity kg 60
- Weight kg 10

Adjustable cart C/91

CODE	HEIGHT	LENGHT	PRICE
000CBC/91	110 CM	50X100 CM	



GYROSCOPIC MIXER

This fully automatic gyroscopic mixer is the perfect solution for fast and **homogeneous mixing** of paint and similar materials. This unit **automatically clamps the product can** adjusting the clamping force and the mixing speed according to the inserted can characteristics.



Control panel



Automatic clamping block

Technical features:

Mixing time	from 1 to 10 minutes	Max cans dimensions	H 450 mm x ϕ 330 mm
Cans capacity	up to 25 L	Power	Single-fase 230 V - 50Hz
Maximum load	up to 35 kg	Motor	Single-fase 750 W
Mixing speed	150 Rpm for small cans 100 Rpm for big cans	Net weight	170 kg
Can height range	from 60 to 450 mm	Size (HxWxD)	800x760x1000
		Noise level	< 70 dB (A)

CODE	DESCRIPTION	PRICE
HS23000-5B	Automatic gyroscopic mixer for cans up to 450mm	

AUTOMATIC SHAKER

This vibrational shaker is the perfect solution for fast and homogeneous mixing of paint and viscous materials in both round and squared cans. This unit automatically clamps the product can adjusting the clamping force and the mixing speed to the inserted can size.



Control panel



Automatic clamping block

Technical features:

Mixing time	from 1 to 10 minutes	Max cans dimensions	H 450 mm x ϕ 330 mm
Cans capacity	up to 25 L	Power	Single-fase 230 V - 50Hz
Maximum load	up to 30 kg	Motor	Single-fase 750 W
Shaking frequency	650 pulses/min	Net weight	212 kg
Can height range	from 60 to 410 mm	Size (HxWxD)	750x730x1050
		Noise level	< 70 dB (A)

CODE	DESCRIPTION	PRICE
HS23000-3T	Automatic shaker for cans up to 410mm	

DISTILLERS FOR SOLVENTS

Solvent regenerator

MANUAL VERSION

CODE	CAPACITY	VOLTAGE AND POWER	PRODUCTIVITY	PRICE
IST10M	10 LT	230V / 1.6 Kw	AROUND 4 L/H	
IST15M	15 LT	230V / 1.6 Kw	AROUND 5 L/H	



Solvent regenerator

AUTOMATIC VERSION



CODE	CAPACITY	VOLTAGE AND POWER	PRODUCTIVITY	PRICE
IST15A	15 LT	230V / 1.6 Kw	AROUND 5 L/H	
IST22A	25 LT	230V / 2.5 Kw	AROUND 6.5 L/H	
IST42A	45 LT	230V / 2.5 Kw	AROUND 10 L/H	
IST62A	62 LT	230V / 2.5 Kw	AROUND 15 L/H	

VERSION IST15A COMPLIANT TO ATEX REGULATION

COVER GASKET IN VITON

CODE	LITERS	PRICE
IST1051	10 lt	
IST1551	15 lt	
IST2251	25 lt	
IST4651	45/62 lt	

Bags for distillers

NEUTRAL STANDARD VERSION

CODE	LITERS	HEIGHT	LENGHT	PRICE
IST1001	10 lt	470 MM	350 MM	
IST1501	15 lt	550 MM	430 MM	
IST2201	25 lt	650 MM	540 MM	
IST4201	45 lt	700 MM	660 MM	
IST6201	62 lt	850 MM	660 MM	

Bags for distillers

GREEN REINFORCED VERSION

CODE	LITERS	HEIGHT	LENGHT	PRICE
IST1001V	10 lt	470 MM	350 MM	
IST1501V	15 lt	550 MM	430 MM	
IST2201V	25 lt	650 MM	540 MM	
IST4201V	45 lt	700 MM	660 MM	
IST6201V	62 lt	850 MM	660 MM	

SPRAY GUN WASHER



- For manual washing of water-based paint
- Pre-wash with pump-fed brush using recirculating liquid
- Final wash with nebulizer using clean water
- Possibility to connect a second brush to the water system
- Blow gun for final drying
- Water-paint separation kit included
- Completely in stainless steel
- ATEX II 2G

CODE	DESCRIPTION	PRICE
VSLAV230060	Spray gun washer VSB177X	

- Small size 45 x 31 x 83h cm
- 4 tanks of 5 liters each
- Dirty fluid pump for both areas (prewash)
- Nebulizer with clean liquid for both areas (final wash)
- Brush for manual washing
- Works with water plus detergent and solvent
- Wash the entire gun, nozzle, cup, filters etc.
- Produces very few exhaust fumes
- Built-in suction system
- Blow gun for drying
- Can be used inside or outside the painting booths
- 100% stainless steel



CODE	DESCRIPTION	PRICE
VSLAV230059	Spray gun washer VSB135	



- Combined, manual washing of water-based paint and thinner paint
- Automatic extraction of vapors from the work area
- **Water area**
 - Pre-wash with brush fed using recirculating liquid
 - Final wash with nebulizer using clean water
 - Possibility to connect a second brush to the water system
 - Blow gun for final drying
 - Water-paint separation kit included
- **Thinner area**
 - Prewash with venturi pump using recirculation thinner
 - Venturi pump to draw clean thinner
 - Final wash with nebulizer using clean thinner
 - Possibility to carry out color tests
- Completely in stainless steel
- ATEX II 2G

CODE	DESCRIPTION	PRICE
VSLAV230061	Spray gun washer VSB165	

CAN CRUSHER



Can Crusher Hydraulic press for crushing one bin at a time

CODE	MOTOR POWER	DIMENSIONS	WEIGHT	PRICE
SB4000	4000KGF / 1.7 KW	510x335x350 MM	138 KG	
SB5000	6000KGF / 2.2 KW	520x375x410 MM	200 KG	

IONIZING GROUP

CODE	DESCRIPTION	PRICE
ES2J	Ionizing group complete with 230V / 50Hz power supply and ES2J gun with 3 m shielded cable	
A2A7VS	230V / 50Hz power supply complete with light switch and high voltage output control light	
ESPI2J	ES2J gun with 3 m shielded cable	



SCALES



CODE	DESCRIPTION	CAPACITY	SENSIBILITY	PRICE
700250	Electronic scale series 6 with excellent performance, backlit LCD display with high readability and contrast - 225X300mm stainless steel plate	6 KG	0,1 G	
700260	Electronic scale series 6 with excellent performance, backlit LCD display with high readability and contrast - 225X300mm stainless steel plate	30 KG	0,5 G	
700200	Electronic scale series 6200 backlit LCD display with high readability and contrast. Automatic tare on the whole capacity with plate Ø 160mm	6,2 KG	0,01 G	
700360	Electronic scale series TX backlit LCD display mounted on support. Automatic tare on the whole capacity with plate 450x600mm	60 KG	0,1 G	

ELECTRIC AGITATORS



High dispersion speed stirrer with 230mm manual lift

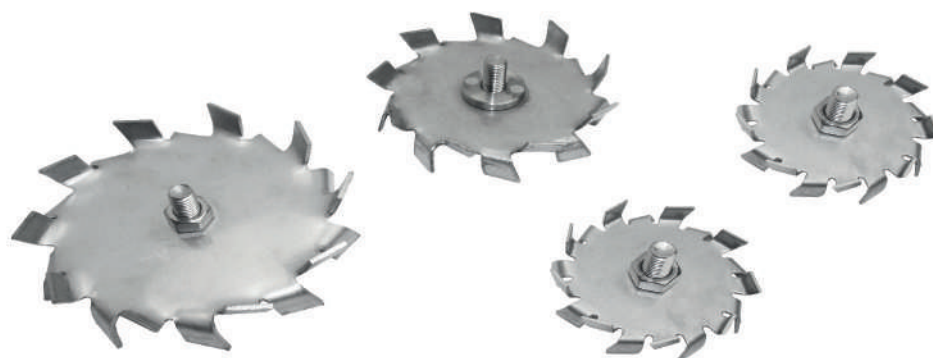
CODE	MOTOR POWER	DIMENSIONS	N. NO LOAD LAPS	PRICE
BGD7402	220 V 750 W	480X430X570 MM	0-6000 R/MIN	

50 AND 60 MM PROPELLERS INCLUDED

High speed dispersion stirrer with 500mm electric lift

CODE	MOTOR POWER	DIMENSIONS	N. NO LOAD LAPS	PRICE
BGD7404LF	220 V 1500 W	650x600x1360 MM	100-3000 R/MIN	

80 AND 100 MM PROPELLERS INCLUDED



Flat propellers with central screw for electric agitators

CODE	BGD740/E1	BGD740/E2	BGD740/E3	BGD740/E4	BGD740/E5	BGD740/E6
DIAMETER	50 MM	60 MM	80 MM	100 MM	120 MM	150 MM
PRICE						

AGITATORS MOUNTED ON SUPPORT



Variable speed pneumatic agitator mounted on a height-adjustable support

CODE	MAXIMUM HEIGHT	POWER	ROD DIMENSION	PROPELLER SIZE Ø	PRICE
2AM100	700 MM	1/4 HP	15x450 MM	165 MM	
2AM210	700 MM	2/5 HP	15x450 MM	165 MM	
SUPP2AM	700 MM		BARE STAND		

Variable speed pneumatic agitator mounted on a height-adjustable support

CODE	MAXIMUM HEIGHT	POWER	ROD DIMENSION	PROPELLER SIZE Ø	PRICE
AM3P003	795 MM	1/4 HP	12x350 MM	95 MM	



Variable speed pneumatic agitator mounted on a pneumatic height-adjustable support



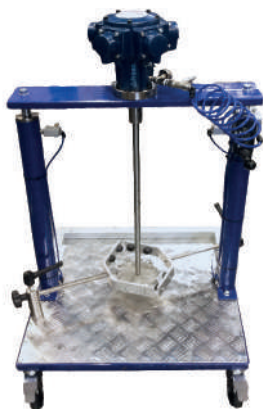
CODE	MAXIMUM HEIGHT	POWER	ROD DIMENSION	PROPELLER SIZE Ø	PRICE
AM4P004	580 MM	1/4 HP	12x660 MM	95 MM	

Variable speed pneumatic agitator mounted on a pneumatic height-adjustable support

CODE	MAXIMUM HEIGHT	POWER	ROD DIMENSION	PROPELLER SIZE Ø	PRICE
AM5P005	660 MM	1/4 HP	12x740 MM	95 MM	



AGITATORS MOUNTED ON SUPPORT



Variable speed pneumatic agitator mounted on a pneumatic height-adjustable support

CODE	MAXIMUM HEIGHT	POWER	ROD DIMENSION	PROPELLER SIZE Ø	PRICE
SOLLM40	600 MM	2/5 HP	15x350 MM	95 MM	

Variable speed pneumatic stainless steel agitator mounted on a height-adjustable support



CODE	MAXIMUM HEIGHT	POWER	PRICE
1AM100	400 MM	1 HP	

Variable speed pneumatic agitator mounted on a height-adjustable support for drums up to 200lt
COMPLIANT TO ATEX REGULATION



CODE	MAXIMUM HEIGHT	POWER	ROD DIMENSION	PROPELLER SIZE Ø	PRICE
GASTVSB01C	1200 MM	1/3 HP	14x800 MM	150 MM	
GASTVSB03C	1200 MM	3/4 HP	14x800 MM	150 MM	
GASTVSB04C	1200 MM	1 1/2 HP	14x800 MM	150 MM	

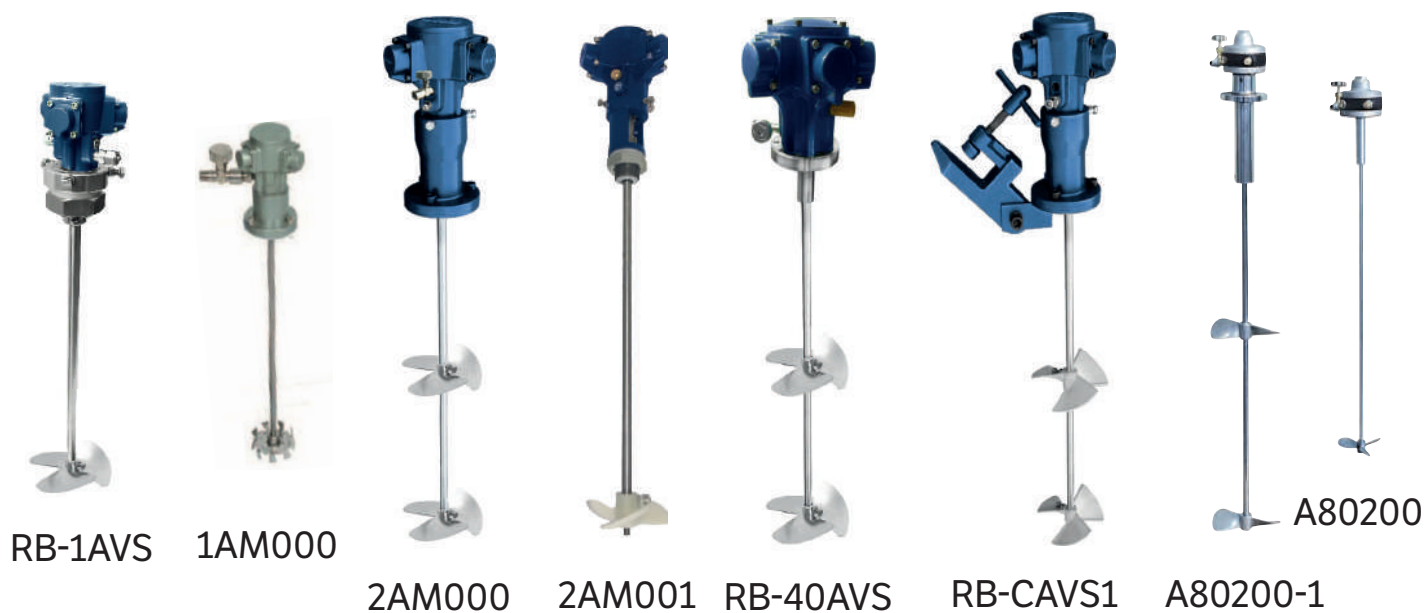
Variable speed pneumatic agitator
COMPLIANT TO ATEX REGULATION

CODE	POWER	ROD DIMENSION	PROPELLER SIZE Ø	PRICE
GASTVSB01	1/3 HP	14x800 MM	150 MM	
GASTVSB03	3/4 HP	14x800 MM	150 MM	
GASTVSB04	1 1/2 HP	14x800 MM	150 MM	

CODE	DESCRIPTION	PRICE
SUPPGAST25	Three-foot telescopic support with removable insert for Gast stirrers for cans up to 25Lt	
SUPPGAST200	Three-foot telescopic support with removable insert for Gast stirrers for drums up to 200Lt	



PNEUMATIC AGITATORS



Pneumatic agitators with adjustable speed

CODE	DESCRIPTION	POWER	ROD DIMENSION	PROPELLER SIZE Ø	PRICE
RB-1AVS	Pneumatic agitator with threaded base	0,5 HP	12x350 MM	95 MM	
1AM000	Pneumatic agitator with 3-holes base 1AM	1 HP	12x350 MM	60 MM	
2AM000	Pneumatic agitator RB-FA with 3-holes base 2 AM	1/4 HP	15x800 MM	165 MM	
2AM001	Pneumatic agitator RB-6A with threaded base and nut	1/4 HP	12x550 MM	95 MM	
RB-40AVS	Pneumatic agitator RB-40 with 5-holes base	2/5 HP	15x800 MM	165 MM	
RB-CAVS1	Pneumatic agitator RB-FA with bracket for drum support	1/4 HP	15x800 MM	165 MM	
A80200-A	Pneumatic agitator with flange	1/4 HP	15x860 MM	190 MM	
A80200	Pneumatic agitator	1/4 HP	15x440 MM	110 MM	

PROPELLERS FOR PNEUMATIC AGITATOR



CODE	DESCRIPTION	HOLE Ø	DIMENSION Ø	PREZZO
FA107i	Stainless steel propeller complete with fixing screw	15 MM	160 MM	
FA105i	Stainless steel propeller complete with fixing screw	15 MM	120 MM	
FA107P	Stainless steel propeller complete with fixing screw	12 MM	160 MM	
FA105P	Stainless steel propeller complete with fixing screw	12 MM	120 MM	
AT2AS36	Toothed stainless steel propeller with screw for 1 AM agitator	8 MM	60 MM	
AT2AS361	Toothed stainless steel propeller with screw for 1 AM agitator	12 MM	100 MM	
FA106L	Aluminium propeller complete with fixing screw	15 MM	165 MM	
FA106N	Nylon propeller complete with fixing screw	15 MM	100 MM	
FA106P	Nylon propeller complete with fixing screw	12 MM	100 MM	

AGITATORS MOUNTED ON COVER

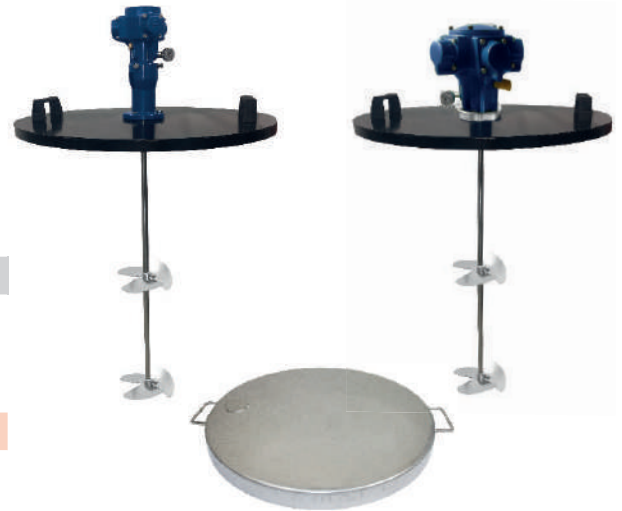


Pneumatic agitator mounted on cover for 25/30 It cans

CODE	DESCRIPTION	POWER	PRICE
1AM10VS	Agitator 1AM on aluminium cover	1 HP	
2AMRB-FA-C	Agitator 2AM on aluminium cover	1/4 HP	
1AM10VSi	Agitator 1AM on s. steel cover	1 HP	
RB1TP	Agitator 2AM on s. steel cover	1/4 HP	

CODE	DESCRIPTION	PRICE
1AMF1	Galvanized AVP cover for 25 L drums	
1AMX1	Stainless steel cover for 25 L drums	

Pneumatic agitator mounted on cover for 200 It drums



CODE	DESCRIPTION	POWER	PRICE
2AMFCRBCA	Agitator 2AM on AVP cover	1/4 HP	
25AMEB40A	Agitator RB-40 on AVP cover	2/5 HP	

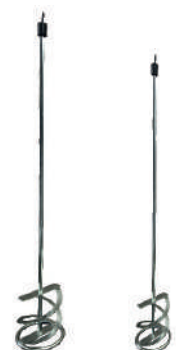
CODE	DESCRIPTION	PRICE
2AMF1X	Galvanized AVP cover for 200 L drums	
2XAM1	Stainless steel cover for 200 L drums	

AIR DRILLS AND MIXER RODS



CODE	DESCRIPTION	PRICE
NA74002	Reversible pneumatic drill 1/4"	
NA74003	Reversible pneumatic drill 3/8"	

CODE	DESCRIPTION	PRICE
1PLAM000	Mixer with propeller for manual agitator 70 cm ROD 50 CM - PROPELLER H 10 CM L 10 CM	
1PLEAM00	Mixer with propeller for manual agitator 38 cm ROD 30 CM - PROPELLER H 8 CM L 8 CM	



SPRAY GUN: AIRLESS AUTOMATIC

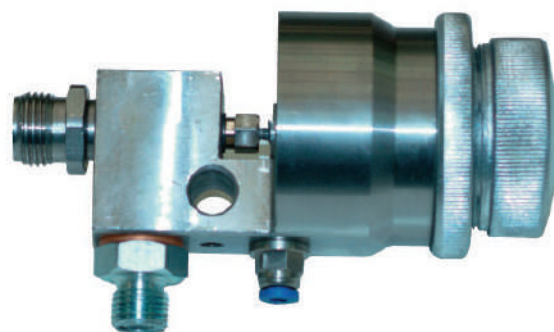


AUTOMATIC AIRLESS GUN VSA 81

CODE	FLUID INLET	HEAD	MAX PRESSURE	PRICE
108100	1/4"	11/16"	250 Bar	
CODE	DESCRIPTION	PRICE		
VS00500A	Repair kit spray gun VSA 81			

AUTOMATIC AIRLESS GUN VSA 81 STAINLESS STEEL

CODE	FLUID INLET	HEAD	MAX PRESSURE	PRICE
108200	1/4"	11/16"	250 Bar	
VSA81/2108100	1/4" + 1/4"	11/16"	250 Bar	
CODE	DESCRIPTION	PRICE		
VS00500A	Repair kit spray gun VSA 81 INOX			



AUTOMATIC AIRLESS GUN HG 74S



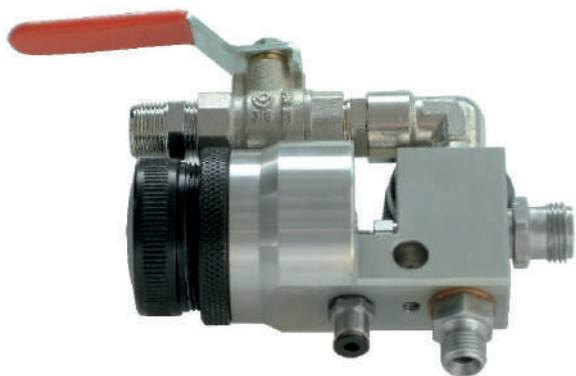
CODE	FLUID INLET	HEAD	MAX PRESSURE	PRICE
HG74S0	1/4"	11/16"	250 Bar	
CODE	DESCRIPTION	PRICE		
HRG740	Repair kit spray gun HG 74S			

STANDARD ACCESSORIES:

CODE	DESCRIPTION	PRICE
510012	Standard tip support retainer F 7/8"	
109010	Standard tip support retainer 11/16"	
109009	Stainless steel standard tip support retainer F 11/16"	
AR8555051	Reversible tip guard F 11/16"	
100030	ST gasket 11/16" ø15	
100040	ST gasket ST 7/8" ø 20	



SPRAY GUN: AIRLESS AUTOMATIC



AUTOMATIC AIRLESS GUN FOR ABRASIVE PASTE VSA 81 SPECIAL

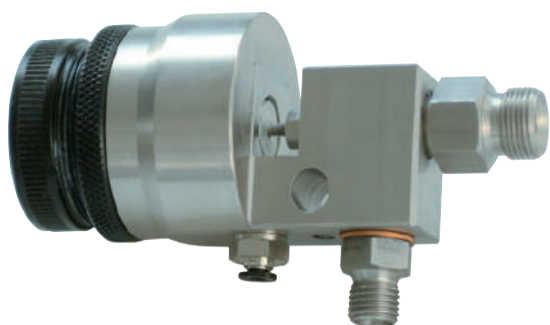
CODE	FLUID INLET	HEAD	MAX PRESSURE	PRICE
VSA81001IS	1/4"	11/16"	250 Bar	
CODE	DESCRIPTION			PRICE
VS00500AT	Repair kit spray gun VSA 81 SPECIAL			

AUTOMATIC AIRLESS GUN FOR SILICONE VSA 812A



CODE	FLUID INLET	HEAD	MAX PRESSURE	PRICE
VS81002A	1/4"	11/16"	250 Bar	
CODE	DESCRIPTION			PRICE
VS00500S	Repair kit spray gun VSA 81 Siliconi			

AUTOMATIC AIRLESS GUN FOR CATALYST INJECTION VSHA



CODE	FLUID INLET	HEAD	MAX PRESSURE	PRICE
VS81005I (s.steel)	1/4"	3/8"	250 Bar	
VSHAAINIZ	1/4"	3/8"	250 Bar	
CODE	DESCRIPTION			PRICE
VS00500AZ	Repair kit spray gun VSHA			

STANDARD ACCESSORIES:

CODE	DESCRIPTION	PRICE
510012	Standard tip support retainer F 7/8"	
109010	Standard tip support retainer 11/16"	
109009	Stainless steel standard tip support retainer F 11/16"	
AR8555051	Reversible tip guard F 11/16"	
100030	ST gasket 11/16" ø15	
100040	ST gasket ST 7/8" ø 20	



SPRAY GUN: AIRLESS MANUAL



MANUAL AIRLESS GUN VS 500

CODE	FLUID INLET	HEAD	MAX PRESSURE	PRICE
VS80500	1/4"	11/16"	500 Bar	
VS90500	16X1.5	11/16"		
VS805007/8	1/4"	7/8"		
VS905007/8	16X1.5	7/8"		
CODE	DESCRIPTION		PRICE	
VS00500	Repair kit spray gun VS 500			

MANUAL AIRLESS GUN VS 500-5 WITH PRODUCT PASSAGE INCREASED TO 5MM



CODE	FLUID INLET	HEAD	MAX PRESSURE	PRICE
VS80500L	1/4"	11/16"	500 Bar	
VS90500L	16X1.5	11/16"		
CODE	DESCRIPTION		PRICE	
VS00500L	Repair kit spray gun VS 500-L			



MANUAL AIRLESS GUN VS 300

CODE	FLUID INLET	HEAD	MAX PRESSURE	PRICE
VS300TV00	1/4"	11/16"	250 Bar	
VS300TV01	16X1.5	11/16"		
CODE	DESCRIPTION		PRICE	
KIT300VT0	Repair kit spray gun VS 300			

STANDARD ACCESSORIES:



FILTER SPRING
Cod. 350000
ST GASKET
Cod. 100030



REVERSIBLE TIP
Cod. ARVXXXA
ULTRA FINISH TIP
Cod. TUFXXX



TIP GUARD
Cod. AR8555051

SPRAY GUN: AIRLESS MANUAL



MANUAL AIRLESS GUN VS 818

CODE	FLUID INLET	HEAD	MAX PRESSURE	PRICE
VS81814	1/4"	7/8"	250 Bar	
VS81816	16X1.5	7/8"		
CODE	DESCRIPTION		PRICE	
818500	Repair kit spray gun VS 818			

MANUAL AIRLESS GUN VS 360

CODE	FLUID INLET	HEAD	MAX PRESSURE	PRICE
T503156	1/4"	11/16"	250 Bar	
T503157X	16X1.5	11/16"		
CODE	DESCRIPTION		PRICE	
T503092	Repair kit spray gun VS 360			



MANUAL AIRLESS GUN VS 720

CODE	FLUID INLET	HEAD	MAX PRESSURE	PRICE
T507155	1/4"	11/16"	500 Bar	
T50715578	1/4"	7/8"		
CODE	DESCRIPTION		PRICE	
T506092	Repair kit spray gun VS 720			

STANDARD ACCESSORIES:



FILTER SPRING
Cod. 350000
ST GASKET
Cod. 100030



REVERSIBLE TIP
Cod. ARVXXXA
ULTRA FINISH TIP
Cod. TUFXXX



TIP GUARD
Cod. AR8555051

SPRAY GUN: AIRLESS MANUAL



MANUAL AIRLESS GUN VS 650

CODE	FLUID INLET	HEAD	MAX PRESSURE	PRICE
VS650TV00	1/4"	11/16"	500 Bar	
VS650TV01	16x1.5	11/16"	500 Bar	

CODE	DESCRIPTION	PRICE
KIT650VT0	Repair kit spray gun VS 650	

AIRLESS GUN PRO LIGHT 500 COMPLETE WITH BOX KIT WITH GUARD AND NOZZLE 517

CODE	FLUID INLET	HEAD	MAX PRESSURE	PRICE
17N201	1/4"	7/8"	500 Bar	

CODE	DESCRIPTION	PRICE
G288817	Repair kit spray gun 500	



MANUAL AIRLESS GUN MASTIC 24E

CODE	FLUID INLET	HEAD	MAX PRESSURE	PRICE
24E470	1/4"	7/8"	280 Bar	

CODE	DESCRIPTION	PRICE
237260	Repair kit spray gun Mastic	

STANDARD ACCESSORIES:



FILTER SPRING
Cod. 350000
ST GASKET
Cod. 100030



REVERSIBLE TIP
Cod. ARVXXXA
ULTRA FINISH TIP
Cod. TUFXXX



TIP GUARD
Cod. AR8555051

SPRAY GUN: AIRLESS MANUAL



MANUAL AIRLESS GUN HG72P

CODE	FLUID INLET	HEAD	MAX PRESSURE	PRICE
HG72P00	1/4"	7/8"	250 Bar	

CODE	DESCRIPTION	PRICE
HRG72P0	Repair kit spray gun HG72P	

MANUAL AIRLESS GUN HG76

CODE	FLUID INLET	HEAD	MAX PRESSURE	PRICE
HG7600	1/4"	11/16"	250 Bar	
HG760016	16X1.5	11/16"		

CODE	DESCRIPTION	PRICE
HG760010	Repair kit spray gun HG76	



MANUAL AIRLESS SPRAY GUN FOR SILICONES PRO-FOREX

CODE	FLUID INLET	HEAD	MAX PRESSURE	PRICE
HSG7750PRO	1/2"	For cones	510 Bar	

CODE	DESCRIPTION	PRICE
RG61000	Repair kit spray gun Pro-Forex	

STANDARD ACCESSORIES:



FILTER SPRING
Cod. 350000
ST GASKET
Cod. 100030



REVERSIBLE TIP
Cod. ARVXXXA
ULTRA FINISH TIP
Cod. TUFXXX



TIP GUARD
Cod. AR8555051

SPRAY GUNS: AIRLESS TWO-COMPONENTS



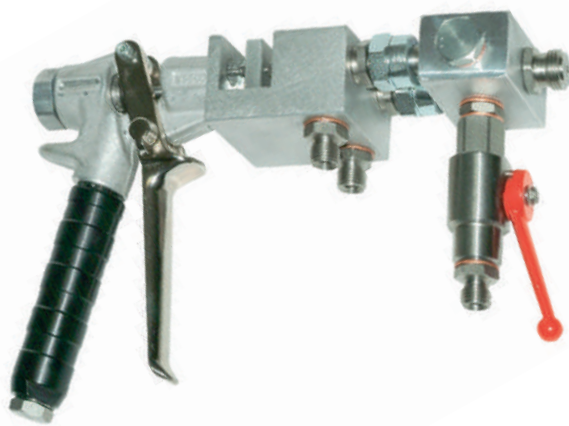
MANUAL AIRLESS GUN TWO COMPONENTS 1:1 AB2

CODE	FLUID INLET	HEAD	MAX PRESSURE	PRICE
FB0345VS	1/4"	11/16"	250 Bar	

MANUAL AIRLESS GUN TWO COMPONENTS 1:1 RES12 FOR WALL INJECTIONS AND RESINS



CODE	FLUID INLET	HEAD	MAX PRESSURE	PRICE
RES12300	1/4"	11/16"	200 Bar	



MANUAL AIRLESS GUN TWO COMPONENTS 1:1 AB2MIX

CODE	FLUID INLET	HEAD	MAX PRESSURE	PRICE
FB0348VS	1/4"	11/16"	200 Bar	

STANDARD ACCESSORIES:



FILTER SPRING
Cod. 350000
ST GASKET
Cod. 100030



REVERSIBLE TIP
Cod. ARVXXXA
ULTRA FINISH TIP
Cod. TUFXXX



TIP GUARD
Cod. AR8555051

SPRAY GUNS: MIX MANUAL



MIX SPRAY GUN VS 23

WITH PROFESSIONAL SWIVEL FILTER HOLDER

COMPLETE WITH REVERSIBLE TIP AND GUARD

CODE	FLUID INLET	MAX PRESSURE	PRICE
0023VS1	1/4"	250 Bar	

MIX SPRAY GUN VS 23

WITH LONG FILTER HOLDER

COMPLETE WITH REVERSIBLE TIP AND GUARD

CODE	FLUID INLET	MAX PRESSURE	PRICE
0023VS2	1/4"	250 Bar	



MIX SPRAY GUN VS 23

WITH TIP FILTER HOLDER

COMPLETE WITH REVERSIBLE TIP AND GUARD

CODE	FLUID INLET	MAX PRESSURE	PRICE
0023VS3LM	1/4"	250 Bar	
0023VS3LMG	1/4"	250 Bar	



**STANDARD
ACCESSORIES:**



FILTER SPRING
Cod. 350000
ST GASKET
Cod. 100030



REVERSIBLE TIP
Cod. ARVXXXA
ULTRA FINISH TIP
Cod. TUFXXX



TIP GUARD
Cod. VDA001

SPRAY GUNS: MIX MANUAL

THE VS 21 SPRAY GUN
MOUNTS NOZZLE AND AIR CAP
COMPATIBLE WITH SPRAY GUN
WAGNER GM 4600



MIX SPRAY GUN VS 21

WITH PROFESSIONAL SWIVEL FILTER HOLDER

COMPLETE WITH TYPE WAGNER AIR NOZZLE AND AIR CAP

CODE	FLUID INLET	MAX PRESSURE	PRICE
0021VS1	1/4"	250 Bar	

MIX SPRAY GUN VS 21

WITH LONG STAINLESS STEEL FILTER HOLDER

COMPLETE WITH TYPE WAGNER AIR NOZZLE AND AIR CAP

CODE	FLUID INLET	MAX PRESSURE	PRICE
0021VS2	1/4"	250 Bar	



MIX SPRAY GUN VS 21

WITH TIP FILTER HOLDER

COMPLETE WITH TYPE WAGNER AIR NOZZLE AND AIR CAP

CODE	FLUID INLET	MAX PRESSURE	PRICE
0021VS3LM	1/4"	250 Bar	
0021VS3LMG	1/4"	250 Bar	



**STANDARD
ACCESSORIES:**



AIR CAP RED
Cod. VRWA18R
AIR CAP BLU
Cod. VBWA18S



**NOZZLE TYPE WAGNER
GM3000/4600**
Cod. E460XXX
SEE PAGE 77

SPRAY GUNS: MIX MANUAL

THE VS 22 SPRAY GUN
MOUNTS NOZZLE AND AIR CAP
COMPATIBLE WITH SPRAY GUN
OPTIMA 2000



MIX SPRAY GUN VS 22

WITH PROFESSIONAL SWIVEL FILTER HOLDER

COMPLETE WITH TYPE OPTIMA 2000 AIR NOZZLE AND AIR CAP

CODE	FLUID INLET	MAX PRESSURE	PRICE
0022VS1	1/4"	250 Bar	

MIX SPRAY GUN VS 22

WITH LONG STAINLESS STEEL FILTER HOLDER

COMPLETE WITH TYPE OPTIMA 2000 AIR NOZZLE AND AIR CAP

CODE	FLUID INLET	MAX PRESSURE	PRICE
0022VS2	1/4"	250 Bar	



MIX SPRAY GUN VS 22

WITH TIP FILTER HOLDER

COMPLETE WITH TYPE OPTIMA 2000 AIR NOZZLE AND AIR CAP

CODE	FLUID INLET	MAX PRESSURE	PRICE
0022VS3LM	1/4"	250 Bar	
0022VS3LMG	1/4"	250 Bar	



**STANDARD
ACCESSORIES:**



AIR CAP OPTIMA 2000
Cod. OPTCXXX
RING OPTIMA 2000
Cod. OPTGXXX



**NOZZLE TYPE
OPTIMA 2000**
Cod. OPTXXX
SEE PAGE 75

SPRAY GUNS: MIX MANUAL

THE VS 41 SPRAY GUN
MOUNTS NOZZLE AND AIR CAP
COMPATIBLE WITH SPRAY GUN
KREMLIN



MIX SPRAY GUN VS 41 LIGHT

WITH PROFESSIONAL SWIVEL FILTER HOLDER

COMPLETE WITH TYPE KREMLIN AIR NOZZLE AND VX24 AIR CAP

CODE	FLUID INLET	MAX PRESSURE	PRICE
102000VWG	1/4"	250 Bar	

MIX SPRAY GUN VS 41 LIGHT

WITH LONG STAINLESS STEEL FILTER HOLDER

COMPLETE WITH TYPE KREMLIN AIR NOZZLE AND VX24 AIR CAP

CODE	FLUID INLET	MAX PRESSURE	PRICE
10200041	1/4"	250 Bar	
102000JIC	1/2 JIC	250 Bar	
102000165	16x1.5	250 Bar	



MIX SPRAY GUN VS 41 LIGHT

WITH TIP FILTER HOLDER

COMPLETE WITH TYPE KREMLIN AIR NOZZLE AND VX24 AIR CAP

CODE	FLUID INLET	MAX PRESSURE	PRICE
102000LM	1/4"	250 Bar	
102000LMG	1/4"	250 Bar	



**STANDARD
ACCESSORIES:**



AIR CAP TYPE VX 24
Cod. UKSVT01



NOZZLE TYPE KREMLIN
Cod. E554XXXX
SEE PAGE 79

SPRAY GUNS: MIX MANUAL

THE R2200 AND R210 SPRAY GUN MOUNTS NOZZLE AND AIR CAP COMPATIBLE WITH SPRAY GUN **KREMLIN**



MIX SPRAY GUN R-2200AC

WITH TIP FILTER HOLDER TYPE **KREMLIN**

COMPLETE WITH TYPE **KREMLIN** AIR NOZZLE AND **VX24** AIR CAP

CODE	FLUID INLET	MAX PRESSURE	PRICE
R2200ACVS	1/4"	250 Bar	

MIX SPRAY GUN R-210AC

WITH TIP FILTER HOLDER

COMPLETE WITH TYPE **KREMLIN** AIR NOZZLE AND **VX24** AIR CAP



CODE	FLUID INLET	MAX PRESSURE	PRICE
R210ACVS	1/4"	250 Bar	



AIRMIX SPRAY GUN XCITE

WITH LONG STAINLESS STEEL FILTER HOLDER

*PRICE DOES NOT INCLUDE THE **KREMLIN** TYPE NOZZLE*

CODE	FLUID INLET	MAX PRESSURE	PRICE
KR000001	1/4"	250 Bar	
KR000002	1/2 JIC	250 bar	
KR000003	3/8"	250 Bar	

STANDARD ACCESSORIES:



AIR CAP TYPE VX 24
Cod. UKSVT01



NOZZLE TYPE KREMLIN
Cod. E554XXXX
SEE PAGE 79



FILTER HOLDER TYPE KREMLIN
Cod. PF2200AC

MIX NOZZLES



CODE	DESCRIPTION	PRICE
OPTXXX	Mix nozzle type Optima 2000	

CODE	DESCRIPTION	PRICE
OP2XXX	Mix nozzle type Optima 2100	



CODE	DESCRIPTION	PRICE
E554XXXX	Mix nozzle type Kremlin for MVX	
E552XXXX	Pre atomized mix nozzle type Kremlin for MVX	

CODE	DESCRIPTION	PRICE
E560XXX	Mix nozzle type Graco	



CODE	DESCRIPTION	PRICE
E611XXX	Mix nozzle type Graco G40	

CODE	DESCRIPTION	PRICE
E598XXX	Mix nozzle type Wagner AC2000	



CODE	DESCRIPTION	PRICE
E460XXX	Mix nozzle type Wagner GM 3000 / 4600	

**UPON REQUEST ORIGINAL AND COMPATIBLE
FLUID NOZZLES OF THE MAJOR BRANDS ON
THE MARKET ARE ALSO AVAILABLE**

OPTIMA NOZZLES AND AIR CAPS



Cappa aria/ Air cap

CODE PRICE

OPTCXXX



Cappa aria/ Air cap

CODE PRICE

OP2CXXX

Ghiera/ Lock nut

CODE PRICE

OPTGXXX



Ghiera/ Lock nut

CODE PRICE

OP2GXXX



CODE

DESCRIPTION

PRICE

OPTXXX Mix nozzle type Optima 2000

CODE

DESCRIPTION

PRICE

OP2XXX Mix nozzle type Optima 2100



NOZZLE NR.	FAN ANGLE	OPENING	
		0.000"	MM
218	20°	0.007	0.18
318	30°	0.007	0.18
418	40°	0.007	0.18
518	50°	0.007	0.18
618	60°	0.007	0.18
223	20°	0.009	0.23
323	30°	0.009	0.23
423	40°	0.009	0.23
523	50°	0.009	0.23
623	60°	0.009	0.23
228	20°	0.011	0.28
328	30°	0.011	0.28
428	40°	0.011	0.28
528	50°	0.011	0.28
628	60°	0.011	0.28
233	20°	0.013	0.33
333	30°	0.013	0.33
433	40°	0.013	0.33
533	50°	0.013	0.33
633	60°	0.013	0.33
238	20°	0.015	0.38
338	30°	0.015	0.38
438	40°	0.015	0.38
538	50°	0.015	0.38
638	60°	0.015	0.38
243	20°	0.017	0.43
343	30°	0.017	0.43
443	40°	0.017	0.43
543	50°	0.017	0.43
643	60°	0.017	0.43

YOU MAY ALSO BE INTERESTED IN:

SPARE PARTS OPTIMA 2000 COMPLETE SPARE PARTS LIST PAGE 335

CODE	DESCRIPTION	PRICE
102003	Air cap gasket	
1196-24	Mix nozzle gasket	
1230-U4	Complete needle kit	

SPARE PARTS OPTIMA 2100 COMPLETE SPARE PARTS LIST PAGE 334

CODE	DESCRIPTION	PRICE
1233-9	Air cap gasket	
1240-58	Mix nozzle gasket	

GRACO NOZZLES AND AIR CAPS

NOZZLE NR.	FAN ANGLE	OPENING	
		0.000"	MM
107	10°	0.007	0.18
207	20°	0.007	0.18
307	30°	0.007	0.18
109	10°	0.009	0.23
209	20°	0.009	0.23
309	30°	0.009	0.23
409	40°	0.009	0.23
509	50°	0.009	0.23
111	10°	0.011	0.28
211	20°	0.011	0.28
311	30°	0.011	0.28
411	40°	0.011	0.28
511	50°	0.011	0.28
611	60°	0.011	0.28
213	20°	0.013	0.33
313	30°	0.013	0.33
413	40°	0.013	0.33
513	50°	0.013	0.33
613	60°	0.013	0.33
713	70°	0.013	0.33
215	20°	0.015	0.38
315	30°	0.015	0.38
415	40°	0.015	0.38
515	50°	0.015	0.38
615	60°	0.015	0.38
715	70°	0.015	0.38
815	80°	0.015	0.38
217	20°	0.017	0.43
317	30°	0.017	0.43
417	40°	0.017	0.43
517	50°	0.017	0.43
617	60°	0.017	0.43
717	70°	0.017	0.43
817	80°	0.017	0.43
917	90°	0.017	0.43
219	20°	0.019	0.48
319	30°	0.019	0.48
419	40°	0.019	0.48
519	50°	0.019	0.48
619	60°	0.019	0.48
719	70°	0.019	0.48
819	80°	0.019	0.48
919	90°	0.019	0.48
321	30°	0.021	0.53
421	40°	0.021	0.53
521	50°	0.021	0.53
621	60°	0.021	0.53
721	70°	0.021	0.53
821	80°	0.021	0.53
921	90°	0.021	0.53



CODE	DESCRIPTION	PRICE
E611XXX	Mix nozzle type Graco G40	
E611GTXXX	Mix nozzle gasket	

CODE	DESCRIPTION	PRICE
611C40	Air cap type Graco G40	



YOU MAY ALSO BE INTERESTED IN:

SPARE PARTS GRACO G15 - G40

CODE	DESCRIPTION	REF. GRACO	PRICE
G40116	Front sleeve gasket G40-G15	111116	
G40450	Middle sleeve gasket G40-G15	109450	
G40320	PTFE air cap gasket	15G320	
G40213	PTFE air cap gasket	109213	
G24180	Pre-tip filter 150M ø9mm	241804	



WAGNER NOZZLES AND AIR CAPS



CODE	DESCRIPTION	PRICE
E460XXX	Mix nozzle type Wagner GM 3000 / 4600	

NOZZLE NR.	OPENING 0.000" - MM	FAN ANGLE
07/10	0.007-0.18	100
07/20	0.007-0.18	200
09/20	0.009-0.23	200
09/30	0.009-0.23	300
09/40	0.009-0.23	400
09/50	0.009-0.23	500
11/10	0.011-0.28	100
11/20	0.011-0.28	200
11/30	0.011-0.28	300
11/40	0.011-0.28	400
11/50	0.011-0.28	500
11/60	0.011-0.28	600
13/20	0.013-0.33	200
13/30	0.013-0.33	300
13/40	0.013-0.33	400
13/50	0.013-0.33	500
13/60	0.013-0.33	600
15/10	0.015-0.38	100
15/20	0.015-0.38	200
15/30	0.015-0.38	300
15/40	0.015-0.38	400
15/50	0.015-0.38	500
15/60	0.015-0.38	600
17/20	0.017-0.43	200
17/30	0.017-0.43	300
17/40	0.017-0.43	400
17/50	0.017-0.43	500
17/60	0.017-0.43	600
17/80	0.017-0.43	800
19/20	0.019-0.48	200
19/30	0.019-0.48	300
19/40	0.019-0.48	400
19/50	0.019-0.48	500
19/60	0.019-0.48	600
19/80	0.019-0.48	800
21/20	0.021-0.53	200
21/40	0.021-0.53	400
21/50	0.021-0.53	500
21/60	0.021-0.53	600
21/80	0.021-0.53	800

CODE	DESCRIPTION	PRICE
VRWA18R	Air cap RED complete compatible with guns GM 3000 - GM 4600AC - GM 4700AC	



CODE	DESCRIPTION	PRICE
VBWA18S	Air cap BLU complete compatible with guns GM 3000 - GM 4600AC - GM 4700AC	



CODE	DESCRIPTION	PRICE
VBWA10067S	Ring type GM 3000 - GM 4600 - GM 4700	



CODE	DESCRIPTION	PRICE
VBWA10078S	Air cap gasket type GM 3000 - GM 4600 - GM 4700	



CODE	DESCRIPTION	PRICE
VBWA10018S	Air nozzle BLU compatible with gun GM 3000 - GM 4600AC - GM 4700AC	



CODE	DESCRIPTION	PRICE
VRWA10018S	Air nozzle RED compatible with gun GM 3000 - GM 4600AC - GM 4700AC	



WAGNER NOZZLES AND AIR CAPS



CODE	DESCRIPTION	PRICE
E598XXX	Mix nozzle type Wagner AC2000	

NOZZLE NR.	OPENING 0.000" - MM	FAN ANGLE
07/10	0.007-0.18	100
07/20	0.007-0.18	200
09/20	0.009-0.23	200
09/30	0.009-0.23	300
09/40	0.009-0.23	400
09/50	0.009-0.23	500
11/10	0.011-0.28	100
11/20	0.011-0.28	200
11/30	0.011-0.28	300
11/40	0.011-0.28	400
11/50	0.011-0.28	500
11/60	0.011-0.28	600
13/20	0.013-0.33	200
13/30	0.013-0.33	300
13/40	0.013-0.33	400
13/50	0.013-0.33	500
13/60	0.013-0.33	600
15/10	0.015-0.38	100
15/20	0.015-0.38	200
15/30	0.015-0.38	300
15/40	0.015-0.38	400
15/50	0.015-0.38	500
15/60	0.015-0.38	600
17/20	0.017-0.43	200
17/30	0.017-0.43	300
17/40	0.017-0.43	400
17/50	0.017-0.43	500
17/60	0.017-0.43	600
17/80	0.017-0.43	800
19/20	0.019-0.48	200
19/30	0.019-0.48	300
19/40	0.019-0.48	400
19/50	0.019-0.48	500
19/60	0.019-0.48	600
19/80	0.019-0.48	800
21/20	0.021-0.53	200
21/40	0.021-0.53	400
21/50	0.021-0.53	500
21/60	0.021-0.53	600
21/80	0.021-0.53	800

CODE	DESCRIPTION	PRICE
VRWA28R	Air cap RED complete compatible GA 3000 - AC 2000	



CODE	DESCRIPTION	PRICE
VBWA28S	Air cap BLU complete compatible GA 3000 - AC 2000	

CODE	DESCRIPTION	PRICE
VBWA10068S	Ring type AC 2000 compatible GA 3000 - AC 2000	



CODE	DESCRIPTION	PRICE
VBWA10028S	Air nozzle BLU compatible GA 3000 - AC 2000	

CODE	DESCRIPTION	PRICE
VRWA10028S	Air nozzle RED compatible GA 3000 - AC 2000	



KREMLIN NOZZLES AND AIR CAPS



CODE	DESCRIPTION	PRICE
E554XXXX	Mix nozzle type Kremlin for MVX	
E552XXXX	Pre atomized mix nozzle type Kremlin for MVX	

CODE	DESCRIPTION	PRICE
554GCXX	Mix nozzle gasket type Kremlin	

SIZES FOR NOZZLE E554XXXX

STANDARD SIZE	OPENING		FAN (FAN WIDTH IN CM / DEGREES OPENING)								
	CALIBER	MM	20°	25°	30°	40°	50°	55°	60°	70°	80°
			9	12	17	21	25	29	33	37	44
X07	03	0.18	03034	03054	03074			03134			
X09	04	0.23	04034	04054	04074	04094	04114	04134			
X11	06	0.28	06034	06054	06074	06094	06114	06134	06154		
X13	09	0.33	09034	09054	09074	09094	09114	09134	09154	09174	
X15	12	0.38			12074	12094	12114	12134	12154	12174	
X16	14	0.41		14054	14074	14094	14114	14134	14154	14174	
X18	18	0.48						18134	18154	18174	
X20	20	0.50			20074						
X22	25	0.56						25134			
X24	30	0.61					30114	30134	30154	30174	30194
X28	40	0.72								40174	

SIZES FOR PRE ATOMIZED NOZZLE E552XXXX

STANDARD SIZE	OPENING		FAN (FAN WIDTH IN CM / DEGREES OPENING)								
	CALIBER	MM	20°	25°	30°	40°	50°	55°	60°	70°	
			9	12	17	21	25	29	33	37	
X09	04	0.23	04032	04052	04072	04092	04112	04132			
X11	06	0.28	06032	06052	06072	06092	06112	06132	06152		
X12	07	0.30							07152		
X13	09	0.33	09032	09052	09072	09092	09112	09132	09152	09172	
X15	12	0.38			12072	12092	12112	12132	12152	12172	
X16	14	0.41			14072	14092	14112	14132	14152	14172	



CODE	DESCRIPTION	PRICE
UKSVT01	Air cap type VX24	
UKSVT02	Air cap type BX16	
UKSVT03	Air cap type VX114	

KREMLIN GASKETS AND O-RINGS



CODE	DESCRIPTION	PRICE
VSKR0S1	10 O-ring package type ATX-AVX Kremlin cod. 129.251.991	

CODE

DESCRIPTION

PRICE

VSKR0S2	10 O-ring package type ATX Kremlin cod. 129.525.092	
---------	---	--



CODE	DESCRIPTION	PRICE
VSKR0S3	10 O-ring package type ATX-AVX Kremlin cod. 129.529.903	

CODE

DESCRIPTION

PRICE

VSKR0S4	10 O-ring package type AVX Kremlin cod. 150.040.329	
---------	---	--



CODE	DESCRIPTION	PRICE
VSKR0S5	2 O-ring package type Kremlin cod. 129.720.075	

CODE

DESCRIPTION

PRICE

VSKR0S6	10 O-ring package type Kremlin cod. 129.729.913	
---------	---	--



CODE	DESCRIPTION	PRICE
VSKR0S7	10 O-ring package type Kremlin cod. 150.040.328	

CODE

DESCRIPTION

PRICE

VSKR0S8	10 O-ring package type Kremlin cod. 129.629.914	
---------	---	--



CODE	DESCRIPTION	PRICE
VSKR0S9	10 O-ring package type ATX-AVX tipo Kremlin cod. 150.040.330	

TIPS AND GUARDS



CODE	DESCRIPTION	PRICE
T93RXXX	Rev tip T93R Contractor (self-cleaning)	

CODE	DESCRIPTION	PRICE
TUFXXX	Rev tip T93R Ultra Finish (self-cleaning pre atomized)	



CODE	DESCRIPTION	PRICE
TMAXX	Rev tip T93Maxx (500 bar)	

CODE	DESCRIPTION	PRICE
ARVXXXA	Rev tip Airlessco ARV (self-cleaning)	



CODE	DESCRIPTION	PRICE
TISC6XXX	Rev tip SC 6 Titan (self-cleaning)	

CODE	DESCRIPTION	PRICE
TSLXXX	Rev tip TSL Trittech Sharp Liner for line striper	



CODE	DESCRIPTION	PRICE
AR8555051	Airlessco tip guard 11/16"	
AR8555052	Airlessco tip guard 7/8"	
AR85GG	Coupling and gasket kit	

CODE	DESCRIPTION	PRICE
VDB002	Tip guard VS 11/16"	
VDB001	Tip guard VS 7/8"	



CODE	DESCRIPTION	PRICE
T93R002	Trittech tip guard 7/8"	
T93R003	Trittech tip guard 11/16"	
T93R004	Coupling and gasket kit	

STANDARD NOZZLES



CODE	DESCRIPTION	PRICE
T93FXXX	Nozzle T93F standard	
T93FUXXX	Nozzle T93F Ultra finish (pre atomized)	

CODE	DESCRIPTION	PRICE
163XXXG	Nozzle 163 standard Graco (pre atomized)	



CODE	DESCRIPTION	PRICE
TUMOXX	Pre atomizer Size 07-09-11-13-15-17-18-19-21	
TUMOGX	Pre atomizer gasket	

CODE	DESCRIPTION	PRICE
TIREGXX	Adjustable nozzle Size 15-20-24-28-41-49	



CODE	DESCRIPTION	PRICE
450960T1	Nozzle with tungsten carbide orifice pattern empty cone T1 for internal painting of pipes up to ø 82 mm	
450960T2	Nozzle with tungsten carbide orifice pattern empty cone T1 for internal painting of pipes up to ø 115 mm	
450960T3	Nozzle with tungsten carbide orifice pattern empty cone T1 for internal painting of pipes up to ø 152 mm	

YOU MAY ALSO BE INTERESTED IN:

CODE	DESCRIPTION	PRICE
510012	Standard tip support retainer F 7/8"	
109010	Standard tip support retainer 11/16"	
109009	Stainless steel standard tip support retainer F 11/16"	
100030	ST gasket 11/16" ø15	
100040	ST gasket ST 7/8" ø 20	



TIPS SIZES

TIP SIZE TABLE T93R AND T93F

INCHES	MM.	2 - 4	4 - 6	6 - 8	8 - 10	10 - 12	12 - 14	14 - 16	16 - 18	18 - 20
.007"	0,18	107	207	307	407					
.009"	0,23	109	209	309	409	509	609			
.011"	0,28	111	211	311	411	511	611			
.013"	0,33	113	213	313	413	513	613	713	813	
.015"	0,38	115	215	315	415	515	615	715	815	
.017"	0,43	117	217	317	417	517	617	717	817	917
.019"	0,48		219	319	419	519	619	719	819	919
.021"	0,53		221	321	421	521	621	721	821	921
.023"	0,58		223	323	423	523	623	723	823	923
.025"	0,63		225	325	425	525	625	725	825	925
.027"	0,69			327	427	527	627	727	827	927
.029"	0,74			329	429	529	629	729	829	929
.031"	0,79			331	431	531	631	731	831	931
.033"	0,84			333	433	533	633	733	833	933
.035"	0,89			335	435	535	635	735	835	935
.039"	0,99			339	439	539	639	739	839	939
.043"	1,09			343	443	543	643	743	843	943
.045"	1,14				445	545	645	745		
.047"	1,19				447	547	647	747		
.049"	1,24				449	549	649	749		
.051"	1,30				451	551	651	751		
.053"	1,35				453	553	653	753		
.055"	1,40				455	555	655	755		
.063"	1,60				463	563	663	763		
.065"	1,65				465	565	665	765		



TIP SIZE TABLE TUF AND T93FU

INCHES	2 - 4	4 - 6	6 - 8	8 - 10	10 - 12	12 - 14
.008"	108	208	308	408		
.010"	110	210	310	410	510	
.012"	112	212	312	412	512	612
.014"	114	214	314	414	514	614
.016"					516	616
.018"					518	618



TIP SIZE TABLE TSL

INCHES	2" LINE	4" LINE	8" LINE	12" LINE
.013"	213	313	413	
.015"	215	315	415	
.017"	217	317	417	
.019"		319	419	
.021"			421	621
.023"			423	623
.025"			425	625
.027"			427	627
.029"			429	629
.031"			431	631
.035"			435	635



TIPS SIZES

TIP SIZE TABLE ARV

INCHES	MM.	2 - 4	4 - 6	6 - 8	8 - 10	10 - 12	12 - 14	14 - 16	16 - 18
.007"	0,18		207	307					
.009"	0,23	109	209	309	409	509	609		
.011"	0,28	111	211	311	411	511	611		
.013"	0,33	113	213	313	413	513	613		
.015"	0,38	115	215	315	415	515	615	715	815
.017"	0,43		217	317	417	517	617	717	817
.019"	0,48	119	219	319	419	519	619		819
.021"	0,53		221	321	421	521	621	721	821
.023"	0,58		223	323	423	523	623	723	
.025"	0,63		225	325	425	525	625	725	
.027"	0,69		227	327	427	527	627		827
.029"	0,74				429	529	629	729	
.031"	0,79			331	431	531	631		831
.033"	0,84				433	533	633		833
.035"	0,89		235		435	535	635	735	835
.037"	0,93						637		
.039"	0,99						639		
.043"	1,09				443	543	643		
.045"	1,14				445		645		
.051"	1,30				451	551			
.055"	1,40				455	555	655		



TIP SIZE TABLE 163

INCHES	2 - 4	4 - 6	6 - 8	8 - 10	10 - 12	12 - 14	14-16	16-18	18-20
.008"	108	208		408					
.010"		210	310	410	510	610			
.012"		212	312	412	512	612	712		912
.014"		214	314	414	514	614	714	814	
.016"		216	316	416	516	616	716	816	
.018"			318	418	518	618	718	818	918
.020"				420	520	620		820	
.022"					522	622		822	922
.024"				424		624		824	924
.026"						626		826	
.032"				432				832	

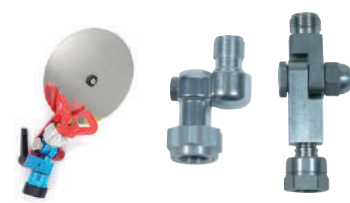


EXTENSIONS AND JUNCTION

CODE	DESCRIPTION	PRICE
510150	Mini stainless steel extension cm 15 fitting 11/16"	
510300	Mini stainless steel extension cm 30 fitting 11/16"	
510450	Mini stainless steel extension cm 45 fitting 11/16"	
510600	Mini stainless steel extension cm 60 fitting 11/16"	
510800	Mini stainless steel extension cm 80 fitting 11/16"	
510100	Mini stainless steel extension cm 100 fitting 11/16"	
511000	Maxi stainless steel extension cm 100 fitting 11/16"	
512000	Maxi stainless steel extension cm 200 fitting 11/16"	
510150G	Mini stainless steel extension cm 15 fitting 7/8"	
510300G	Mini stainless steel extension cm 30 fitting 7/8"	
510450G	Mini stainless steel extension cm 45 fitting 7/8"	
510600G	Mini stainless steel extension cm 60 fitting 7/8"	
510800G	Mini stainless steel extension cm 80 fitting 7/8"	
510100G	Mini stainless steel extension cm 100 fitting 7/8"	
511000G	Maxi stainless steel extension cm 100 fitting 7/8"	
512000G	Maxi stainless steel extension cm 200 fitting 7/8"	
51015AG	Aluminium extension cm 15 fitting 7/8"	
51030AG	Aluminium extension cm 30 fitting 7/8"	
51050AG	Aluminium extension cm 50 fitting 7/8"	
51075AG	Aluminium extension cm 75 fitting 7/8"	
51100AG	Aluminium extension cm 100 fitting 7/8"	
51150AG	Aluminium extension cm 150 fitting 7/8"	
51200AG	Aluminium extension cm 200 fitting 7/8"	
52015AG	Aluminium extension cm 15 fitting 11/16"	
52030AG	Aluminium extension cm 30 fitting 11/16"	
52050AG	Aluminium extension cm 50 fitting 11/16"	
52075AG	Aluminium extension cm 75 fitting 11/16"	
52100AG	Aluminium extension cm 100 fitting 11/16"	
52150AG	Aluminium extension cm 150 fitting 11/16"	
52200AG	Aluminium extension cm 200 fitting 11/16"	



CODE	DESCRIPTION	PRICE
T101520	Articulated joint TriTech 11/16"	
T101515	Articulated joint TriTech 7/8"	
111800	Economic articulated joint 7/8"	
T106042	Fixed 90° joint TriTech 11/16"	
T106041	Fixed 90° joint TriTech 7/8"	
637800	Articulated joint 7/8" with profile guide	



CODE	DESCRIPTION	PRICE
510010	Adapter F 7/8" x M 11/16"	
510009	Adapter F 11/16" x M 7/8"	
510011	Adapter F 1/2 UNF x M 7/8"	
510012	Standard tip support retainer F 7/8"	
109010	Standard tip support retainer F 11/16"	
109009	Standard tip support retainer F 11/16" stainless steel	



CODE	DESCRIPTION	PRICE
100030	ST gasket 11/16" ø15	
100040	ST gasket 7/8" ø 20	
350000	Support spring for gun filter	



INLINE FILTERS COMPLETE



COMPLETE WITH CAP, NIPPLES AND SWIVEL FITTING

CODE	DESCRIPTION	PRICE
300000	HA 570 line filter complete with 60M filter and fittings	

CODE	REF.	DESCRIPTION	PRICE
300001	1	Aluminium superior body	
300005	2	AVP inferior body	
300002	3	PTFE Gasket	
300003	4	Aluminium support	
300004	5	Stainless steel spring	
310XXX	6	Manifold filter	
R183800i	7	Spacing washer	

CODE	DESCRIPTION	PRICE
301000	Stainless steel HA 570 line filter complete with 60M filter and fittings	

CODE	REF.	DESCRIPTION	PRICE
301001	1	S. steel superior body	
301005	2	S. steel inferior body	
300002	3	PTFE Gasket	
300006R	4	Aluminium support	
300004	5	Stainless steel spring	
310XXX	6	Manifold filter	



COMPLETE WITH CAP, NIPPLES AND SWIVEL FITTING



CODE	DESCRIPTION	PRICE
300500	FB Mini line filter H 240 mm in aluminum complete with 60M filter and fittings	
300501	FB Maxi line filter H 340 mm in aluminum complete with 60M filter and fittings	

CODE	DESCRIPTION	PRICE
300502	PTFE Gasket	
300004V	Support with screw	
310XXX	Manifold filter	

CODE	DESCRIPTION	PRICE
302000	HA570 stainless steel MAXI line filter H 240 mm in aluminum complete with 60M filter and fittings	

CODE	DESCRIPTION	PRICE
302001	S. steel Maxi inferior body	
302005	S. steel Maxi superior body	
302002	PTFE Gasket	
300004V	Support with screw	
310XXX	Manifold filter	



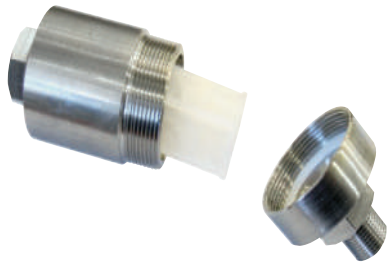
INLINE FILTERS COMPLETE



CODE	DESCRIPTION	PRICE
HA560SCOI	Stainless steel HP 560 line filter complete, pressure up to 500 bar	
HA560SCON	AVP HP 560 line filter complete, pressure up to 500 bar	



CODE	DESCRIPTION	PRICE
FB1/201/403PL	Filter for catalysts 1/4" F x 1/4" M	
FB77003PL	Filter for catalysts 1/4" F x 1/4" F	



CODE	DESCRIPTION	PRICE
FB1/201/403	Filter for catalysts 1/4" M	
FB77003	Filter for catalysts 3/8" M	

CODE	DESCRIPTION	PRICE
VSBFM62006	Aluminium line filter type T 400 bar	
VSB300001T	inferior body	
VSB300005T	superior body	
300002	PTFE Gasket	
VSB300003T	Aluminium support with grain and screw	
VSB300004T	Internal filter support nut	
310XXX	Manifold filter	



CODE	DESCRIPTION	PRICE
AABB124	PP line filter anti-chip FF 3/4"	
CP16905	Manifold filter 15 M	
CP16903	Manifold filter 30 M	
CP16906	Manifold filter 60 M	
CP77170	O-ring	

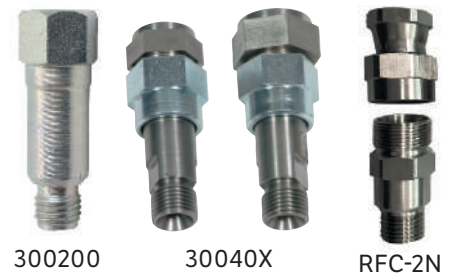
FILTER HOLDERS



CODE	DESCRIPTION	PRICE
300014	Stainless steel gun filter holder FS 1/4" x M 1/4" STRAIGHT	
300038	Stainless steel gun filter holder FS 3/8" x M 3/8" STRAIGHT	
300034	Stainless steel gun filter holder FS 3/8" x M 1/4" STRAIGHT	
300014C	Stainless steel gun filter holder FS 1/4" x M 1/4" BENT	
300038C	Stainless steel gun filter holder FS 3/8" x M 3/8" BENT	

CODE	DESCRIPTION	PRICE
300104	Bottom part M 1/4"	
300105	Bottom part M 3/8"	
300101	Top part FG 1/4"	
300106	Top part FG 3/8"	
300103	Central screw	
300102	PTFE Gasket	
350000	Filter support spring	

CODE	DESCRIPTION	PRICE
300401	Stainless steel tip filter holder FS 1/4" X M 1/4"	
300400	Stainless steel tip filter holder FS 3/8" X M 1/4"	
RFC-2N	Stainless steel tip filter holder FS 1/4" X M 1/4"	
300200	Low pressure tip filter holder F 3/8" X M 1/4"	



CODE	DESCRIPTION	PRICE
300401J	Stainless steel tip filter holder FS 7/16" X M 1/4"	
300400J	Stainless steel tip filter holder FS 1/2 Jic x M 1/2 Jic	
300402J	Stainless steel tip filter holder FS 7/16" X M 1/2 Jic	

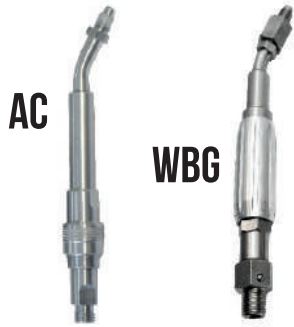
COMPATIBLE WITH GUNS WITH KREMLIN THREAD

CODE	DESCRIPTION	PRICE
3001134J	Stainless steel gun filter holder FS 1/2 Jic x M 1/2 Jic	
300014J	Stainless steel gun filter holder FS 1/4" x M 1/4"	
300038J	Stainless steel gun filter holder FS 1/4" x M 1/2 Jic	
300105J	Stainless steel extended tip filter holder FS 1/4" x M 1/4"	

CODE	DESCRIPTION	PRICE
3001134JGC	Stainless steel gun filter holder FS 1/2 Jic x M 1/2 Jic Revolving	
300014JGC	Stainless steel gun filter holder FS 1/4" x M 1/4" Revolving	
300038JGC	Stainless steel gun filter holder FS 1/4" x M 1/2 Jic Revolving	
300016JGC	Stainless steel gun filter holder FS 1/4" x M 16x1.5 Revolving	



FILTER HOLDERS



CODE	DESCRIPTION	PRICE
300G4700AC	Stainless steel gun filter holder type Wagner 4700 AC M 10x1.5 x F 1/4"	
02WBG003	FAST Stainless steel gun filter holder type 4700 AC M 10x1.5 x FS 1/4"	

CODE	DESCRIPTION	PRICE
WBG001	FAST Stainless steel gun filter holder type VS 21-22-23-41 M 10 x FG 1/4"	
LMG001	LMG Stainless steel extended tip filter holder type VS 21-22-23-41 F 1/4" x FS 1/4"	



CODE	DESCRIPTION	PRICE
471015	Wagner type fluid inlet nipple AC 2000 and GM 4700 M 10x1.5 x M 1/4"	
301215	Wagner type fluid inlet nipple GM 3000 M 12.15 x M 1/4"	
300W470	Wagner type fluid inlet adapter GM 4700 M 10x1.5 x F 10x1	

CODE	DESCRIPTION	PRICE
PF2200AC	Kremlin type stainless steel extended tip filter holder for spray gun 2200AC FS 1/2 Jic x M 1/4"	
300J103J	Kremlin type fluid inlet adapter for Xcite and ATX F 7/16 Jic x M 1/4"	



GUN FILTERS



CODE	MESH	DESCRIPTION	H	Ø	PRICE
350030	30	Green universal gun filter	10 CM	10 MM	
350060	60	White universal gun filter	10 CM	10 MM	
350080	80	Black universal gun filter	10 CM	10 MM	
350100	100	Yellow universal gun filter	10 CM	10 MM	
350150	150	Blue universal gun filter	10 CM	10 MM	
350200	200	Red universal gun filter	10 CM	10 MM	
350300	300	Silver universal gun filter	10 CM	10 MM	

CODE	DESCRIPTION	PRICE
350VXXX	Old model universal gun filter	

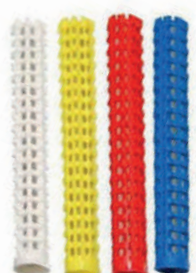
CODE	MESH	DESCRIPTION	H	Ø	PRICE
355100	80	White Optima mini gun filter	5 CM	7 MM	
355150	150	Yellow Optima mini gun filter	5 CM	7 MM	
355295	295	Red Optima mini gun filter	5 CM	7 MM	



CODE	MESH	DESCRIPTION	PRICE
14-2664	60	Black Graco type gun filter	
14-2665	100	Blue Graco type gun filter	
14-2666	150	Orange Graco type gun filter	

CODE	MESH	DESCRIPTION	PRICE
352050	50	Blue Graco type gun filter with spring	
352100	100	Orange Graco type gun filter with spring	

CODE	MESH	DESCRIPTION	PRICE
14-2171	30	Green Titan type gun filter	
14-2172	60	White Titan type gun filter	
14-2173	100	Yellow Titan type gun filter	
14-2174	150	Red Titan type gun filter	



CODE	MESH	DESCRIPTION	PRICE
2315726	50	Cage white gun filter Wagner pkg. 10 pcs	
2315725	100	Cage yellow gun filter Wagner pkg. 10 pcs	
2315724	150	Cage blue gun filter Wagner pkg. 10 pcs	
2315723	200	Cage red gun filter Wagner pkg. 10 pcs	

MANIFOLD FILTERS



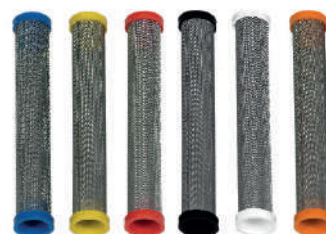
CODE	MESH	DESCRIPTION	H	Ø	PRICE
310030	30	Maniflod filter with hole without fins	144 MM	26,5 MM	
310060	60	Maniflod filter with hole without fins	144 MM	26,5 MM	
310100	100	Maniflod filter with hole without fins	144 MM	26,5 MM	
310150	150	Maniflod filter with hole without fins	144 MM	26,5 MM	
310200	200	Maniflod filter with hole without fins	144 MM	26,5 MM	
310300	300	Maniflod filter with hole without fins	144 MM	26,5 MM	

CODE	MESH	DESCRIPTION	H	Ø	PRICE
310030W	30	Maniflod filter without hole type Wagner	144 MM	27 MM	
310060W	60	Maniflod filter without hole type Wagner	144 MM	27 MM	
310100W	100	Maniflod filter without hole type Wagner	144 MM	27 MM	
310200W	200	Maniflod filter without hole type Wagner	144 MM	27 MM	



CODE	MESH	DESCRIPTION	H	Ø	PRICE
315030	30	Mini maniflod filter with hole	75 MM	26,5 MM	
315060	60	Mini maniflod filter with hole	75 MM	26,5 MM	
315100	100	Mini maniflod filter with hole	75 MM	26,5 MM	
315200	200	Mini maniflod filter with hole	75 MM	26,5 MM	

CODE	MESH	DESCRIPTION	H	Ø	PRICE
330030	30	Blue maniflod filter	155 MM	25 MM	
330060	60	Black maniflod filter	155 MM	25 MM	
330100	100	Yellow maniflod filter	155 MM	25 MM	
330150	150	Red maniflod filter	155 MM	25 MM	
330200	200	White maniflod filter	155 MM	25 MM	
330300	300	Orange maniflod filter	155 MM	25 MM	



CODE	MESH	DESCRIPTION	H	Ø	PRICE
320050	50	Hubner type orange maniflod filter	53 MM	26 MM	
320070	70	Hubner type yellow maniflod filter	53 MM	26 MM	
320100	100	Hubner type black maniflod filter	53 MM	26 MM	
320150	150	Hubner type red maniflod filter	53 MM	26 MM	
320200	200	Hubner type white maniflod filter	53 MM	26 MM	

CODE	MESH	DESCRIPTION	H	Ø	PRICE
340200	200	Kremlin type manifold filter 02	115 MM	27 MM	
340140	140	Kremlin type manifold filter 04	115 MM	27 MM	
340100	100	Kremlin type manifold filter 05	115 MM	27 MM	
340070	70	Kremlin type manifold filter 08	115 MM	27 MM	
340055	55	Kremlin type manifold filter 12	115 MM	27 MM	



MANIFOLD FILTERS



CODE	MESH	DESCRIPTION	H	Ø	PRICE
ZMZFM36301Z	20	Bollhoff - Aro type manifold filter n°20	114 MM	27 MM	
ZMZFM36302Z	30	Bollhoff - Aro type manifold filter n°15	114 MM	27 MM	
ZMZFM36303Z	50	Bollhoff - Aro type manifold filter n°12	114 MM	27 MM	
ZMZFM36304Z	60	Bollhoff - Aro type manifold filter n°9	114 MM	27 MM	
ZMZFM36305Z	80	Bollhoff - Aro type manifold filter n°6	114 MM	27 MM	
ZMZFM36306Z	100	Bollhoff - Aro type manifold filter n°5	114 MM	27 MM	
ZMZFM36307Z	165	Bollhoff - Aro type manifold filter n°4	114 MM	27 MM	
ZMZFM36308Z	180	Bollhoff - Aro type manifold filter n°3	114 MM	27 MM	
ZMZFM36309Z	200	Bollhoff - Aro type manifold filter n°2	114 MM	27 MM	
ZMZFM36310Z	250	Bollhoff - Aro type manifold filter n°1	114 MM	27 MM	

CODE	MESH	DESCRIPTION	H	Ø	PRICE
BFM3901WB	60	Sagola type manifold filter	100 MM	22 MM	
BFM3902WB	100	Sagola type manifold filter	100 MM	22 MM	

CODE	MESH	DESCRIPTION	H	Ø	PRICE
14-2097	60	Titan type manifold filter	140 MM	20,5 MM	



CODE	MESH	DESCRIPTION	H	Ø	PRICE
300030W	30	Blue Wagner type manifold filter	53 MM	35,5 MM	
300060W	60	Black Wagner type manifold filter	53 MM	35,5 MM	
3000100W	100	White Wagner type manifold filter	53 MM	35,5 MM	
3000200W	150	Red Wagner type manifold filter	53 MM	35,5 MM	

CODE	MESH	DESCRIPTION	H	Ø	PRICE
ZMZFB3101Z	50	Binks type manifold filter	99,5 MM	32 MM	
ZMZFB3102Z	100	Binks type manifold filter	99,5 MM	32 MM	
ZMZFB3103Z	150	Binks type manifold filter	99,5 MM	32 MM	
ZMZFB3104Z	200	Binks type manifold filter	99,5 MM	32 MM	



CODE	DESCRIPTION	PRICE
300006R	Nylon filter support	
300003	Aluminium filter support with insert	
300003T	Aluminium filter support without insert	
300004T	Aluminium filter support with cap for Colora type filters	
300004V	Filter support with screw	

MANIFOLD FILTERS

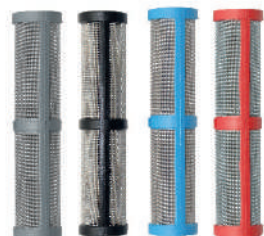


CODE	MESH	DESCRIPTION	H	Ø	PRICE
14-2694	30	Grey long type Graco manifold filter	180 MM	31 MM	
14-2695	60	Black long type Graco manifold filter	180 MM	31 MM	
14-2696	100	Blue long type Graco manifold filter	180 MM	31 MM	
14-2697	200	Red long type Graco manifold filter	180 MM	31 MM	

CODE	MESH	DESCRIPTION	H	Ø	PRICE
14-2685	60	Black medium type Graco manifold filter	114 MM	31 MM	
14-2686	100	Blue medium type Graco manifold filter	114 MM	31 MM	
14-2687	200	Red medium type Graco manifold filter	114 MM	31 MM	



CODE	MESH	DESCRIPTION	H	Ø	PRICE
14-2674	30	Grey short type Graco manifold filter	91 MM	20 MM	
14-2675	60	Black short type Graco manifold filter	91 MM	20 MM	
14-2676	100	Blue short type Graco manifold filter	91 MM	20 MM	
14-2677	200	Red short type Graco manifold filter	91 MM	20 MM	



CODE	MESH	DESCRIPTION	H	Ø	PRICE
CP16905	15	Yellow anti chip manifold filter for AAB124	145 MM	34 MM	
CP16903	30	Red anti chip manifold filter for AAB124	145 MM	34 MM	
CP16906	50	Blue anti chip manifold filter for AAB124	145 MM	34 MM	



TIP FILTERS KREMLIN TYPE



CODE	MESH	DESCRIPTION	Ø	PRICE
VSBR001	75	Kremlin type tip filter (pkg. 10 pcs)	7 MM	
VSBR002	140	Kremlin type tip filter (pkg. 10 pcs)	7 MM	
VSBR003	100	Kremlin type tip filter (pkg. 10 pcs)	7 MM	
VSABR001	75	Kremlin type tip filter (pkg. 500 pcs)	7 MM	
VSABR002	140	Kremlin type tip filter (pkg. 500 pcs)	7 MM	
VSABR003	100	Kremlin type tip filter (pkg. 500 pcs)	7 MM	

TIP FILTERS



CODE	MESH	DESCRIPTION	PRICE
390060	60	White tip filter	
390080	80	Blue tip filter	
390100	100	Black tip filter	
390150	150	Red tip filter	
390200	200	Yellow tip filter	

CODE	DESCRIPTION	PRICE
390XXX	Tip filter 60 / 80 / 100 M - MOQ 300 pcs	

CODE	MESH	DESCRIPTION	PRICE
380050	60	Nylon tip filter with stainless steel net 14mm	
380100	100	Nylon tip filter with stainless steel net 14mm	
380200	200	Nylon tip filter with stainless steel net 14mm	
BE3800		Stainless steel tip filter support	
BE3801		Nylon cap for tip filter support	
381050	60	Stainless steel net 14mm	
381100	100	Stainless steel net 14mm	
381200	200	Stainless steel net 14mm	



CODE	MESH	DESCRIPTION	H	Ø	PRICE
BEFM280103		Nylon tip filter support type ATX			
BEFM280043	50	Stainless steel net for tip filter ATX	11 MM	9,5 MM	
BEFM28053	70	Stainless steel net for tip filter ATX	11 MM	9,5 MM	
BEFM28063	85	Stainless steel net for tip filter ATX nr. 6	11 MM	9,5 MM	
BEFM28073	100	Stainless steel net for tip filter ATX	11 MM	9,5 MM	
BEFM28083	140	Stainless steel net for tip filter ATX nr. 4	11 MM	9,5 MM	
BEFM28093	200	Stainless steel net for tip filter ATX nr. 2	11 MM	9,5 MM	



COMPATIBLE WITH KREMLIN ATX SPRAY GUN

CODE	MESH	DESCRIPTION	H	Ø	PRICE
BEFM28056Z		Stainless steel tip filter support type AVX			
BEFM28050Z	50	Stainless steel net for tip filter AVX nr. 12	17,5 MM	9,5 MM	
BEFM28051Z	60	Stainless steel net for tip filter AVX	17,5 MM	9,5 MM	
BEFM28052Z	85	Stainless steel net for tip filter nr. 6	17,5 MM	9,5 MM	
BEFM28053Z	100	Stainless steel net for tip filter AVX	17,5 MM	9,5 MM	
BEFM28054Z	140	Stainless steel net for tip filter AVX nr. 4	17,5 MM	9,5 MM	
BEFM28055Z	200	Stainless steel net for tip filter AVX	17,5 MM	9,5 MM	



COMPATIBLE WITH KREMLIN AVX SPRAY GUN



CODE	DESCRIPTION	PRICE
300300	Tip filter holder 11/16"	

SUCTION FILTER



CODE	MESH	DESCRIPTION	Ø	PRICE
370015	30	Suction filter assembly F 15x1	89 MM	
370012	30	Suction filter assembly F 1/2"	89 MM	
370115		Bare suction filter holder F 15x1	89 MM	
370112		Bare suction filter holder F 1/2"	89 MM	
370001		Angular spring for suction filter ø87/89		

CODE	MESH	DESCRIPTION	Ø	PRICE
370030	30	Red nylon disk filter	89 MM	
370050	50	Yellow nylon disk filter	89 MM	
370100	100	White nylon disk filter	89 MM	



CODE	MESH	DESCRIPTION	Ø	PRICE
370030P	30	Red nylon disk filter with stud	89 MM	
370050P	50	Yellow nylon disk filter with stud	89 MM	
370100P	100	White nylon disk filter with stud	89 MM	

CODE	MESH	DESCRIPTION	Ø	PRICE
370030F	30	Orange nylon disk filter type FM with stud	87 MM	
370050F	50	Red nylon disk filter type FM with stud	87 MM	
370100F	100	White nylon disk filter type FM with stud	87 MM	



CODE	MESH	DESCRIPTION	Ø	PRICE
371030EP	30	Nylon disk filter with metallic net for VS25	89 MM	
371050EP	50	Nylon disk filter with metallic net for VS25	89 MM	
371100EP	100	Nylon disk filter with metallic net for VS25	89 MM	

CODE	MESH	DESCRIPTION	Ø	PRICE
37C000	50	Colora type suction filter assembly F 16mm	57 MM	
37C001	50	Colora type suction filter assembly F 15x1.5	57 MM	
37C002	50	Colora type suction filter assembly F 1/2"	57 MM	
371030C	30	Colora type metallic disk filter	57 MM	
371040C	40	Colora type metallic disk filter	57 MM	
371050C	50	Colora type metallic disk filter	57 MM	
371070C	70	Colora type metallic disk filter	57 MM	
37C0011		Round spring for suction filter	57 MM	



SUCTION FILTER



CODE	MESH	DESCRIPTION	Ø	PRICE
365030	30	Mini suction filter complete F 28x1.5	55 MM	
365060	60	Mini suction filter complete F 28x1.5	55 MM	
365130	30	Net for mini suction filter	45 MM	
365160	60	Net for mini suction filter	45 MM	
365000		Body for mini suction filter F 28x1.5		

CODE	MESH	DESCRIPTION	Ø	PRICE
361530	30	Metallic suction filter F 15x1	48 MM	
361560	60	Net for mini suction filter F 15x1	48 MM	
361230	30	Net for mini suction filter F 1/2"	48 MM	
361260	60	Net for mini suction filter F 1/2"	48 MM	
363430	30	Net for mini suction filter F 3/4"	48 MM	
363460	60	Net for mini suction filter F 3/4"	48 MM	
362830	30	Net for mini suction filter F 28x1.5	48 MM	
362860	60	Net for mini suction filter F 28x1.5	48 MM	



CODE	MESH	DESCRIPTION	Ø	PRICE
360030	30	Big metallic suction filter F 28x1.5	100 MM	
360060	60	Big metallic suction filter F 28x1.5	100 MM	
360130	30	Net for big suction filter	95 MM	
360160	60	Net for big suction filter	95 MM	

CODE	MESH	DESCRIPTION	REF. GRACO	PRICE
14-2843	32	Plastic suction filter M 3/4"GH for SP 380	288716	
14-2649	30	Plastic suction filter F 7/8" for Ultra 395/495/695	246385	
14-1428	10	Metallic suction filter F 3/4" NPT for Ultramax 695	183770	
14-2235	10	Metallic suction filter F 1" in stainless steel for Ultramax 795/1095/1595	181072	
14-1223	10	Plastic suction filter F 1" for Ultramax 795/1095/1595		
14-3064	10	Plastic suction filter F 3/4" 16 UNF for Airlessco MP - LP	331217	
14-2179	8	Metallic suction filter F 1" NPT for Airlessco SL 1250 - TS 1750 - HSS 9950	189920	



CODE	MICRON	DESCRIPTION	PRICE
SL9000		Filtering sock support	
SL1000	210	White paint filtering socks (conf. 5 pezzi)	
SL4000	300	Yellow dispersion filtering socks (conf. 5 pezzi)	
SL4001	300	25 lt tank filtering socks (conf. 3 pezzi)	

COMPATIBLE PUMPING GASKET



CODE	DESCRIPTION	PRICE	CODE	DESCRIPTION	PRICE
913010	PTFE gasket Maves K 25		963282	PTFE gasket Binks H 328 sup.	
913012	PTFE gasket Maves K 30		963281	PTFE gasket Binks H 328 inf.	
912302	PTFE gasket Graco 23:1 sup.		964322	PTFE gasket Binks H 432 sup.	
912301	PTFE gasket Graco 23:1 inf.		964321	PTFE gasket Binks H 432 inf.	
913014	PTFE gasket Graco 30:1		966342	PTFE gasket Binks H 634/660 sup.	
914512	PTFE gasket Graco 45:1		966341	PTFE gasket Binks H 634/660 inf.	
916012	PTFE gasket Graco 60:1		961032	PTFE gasket Binks H 1032 sup.	
912304	PTFE gasket Larius 23:1 sup.		961031	PTFE gasket Binks H 1032 inf.	
912303	PTFE gasket Larius 23:1 inf.		962542	PTFE gasket Binks H 2548 sup.	
913001	PTFE gasket Larius 30:1		962541	PTFE gasket Binks H 2548 inf.	
914510	PTFE gasket Larius 45:1		963284	Leather gasket Binks H 328 sup.	
916010	PTFE gasket Larius 60:1		963283	Leather gasket Binks H 328 inf.	
913312	PTFE gasket Iwata 331 sup.		964324	Leather gasket Binks H 432 sup.	
913311	PTFE gasket Iwata 331 inf.		964323	Leather gasket Binks H 432 inf.	
914312	PTFE gasket Iwata 431 sup.		966344	Leather gasket Binks H 634/660 sup.	
914311	PTFE gasket Iwata 431 inf.		966343	Leather gasket Binks H 634/660 inf.	
950782	PTFE gasket Falcioni 78 sup.		961034	Leather gasket Binks H 1032 sup.	
950781	PTFE gasket Falcioni 78 inf.		961033	Leather gasket Binks H 1032 inf.	
950102	PTFE gasket Falcioni H 100 sup.		962544	Leather gasket Binks H 2548 sup.	
950101	PTFE gasket Falcioni H 100 inf.		962543	Leather gasket Binks H 2548 inf.	
950202	PTFE gasket Falcioni H 200 sup.		970302	PTFE gasket Binks Comet 3L sup.	
950201	PTFE gasket Falcioni H 200 inf.		970301	PTFE gasket Binks Comet 3L inf.	
913201	PTFE gasket Val Spray TN sup.		970402	PTFE gasket Binks Comet 4 sup.	
913203	PTFE gasket Val Spray TN inf.		970401	PTFE gasket Binks Comet 4 inf.	
913202	Leather gasket al Spray TN sup.		970182	PTFE gasket Binks sez. 1,8 sup.	
913204	Leather gasket Val Spray TN inf.		970181	PTFE gasket Binks sez. 1,8 inf.	
913205	PTFE gasket Val Spray TS sup.		970362	PTFE gasket Binks sez. 3,6 sup.	
913207	PTFE gasket Val Spray TS inf.		970361	PTFE gasket Binks sez. 3,6 inf.	
913206	Leather gasket Val Spray TS sup.		970422	PTFE gasket Binks sez. 4,2 sup.	
913208	Leather gasket Val Spray TS inf.		970421	PTFE gasket Binks sez. 4,2 inf.	
			941401	PTFE gasket Colora 401 sup.	
			941181	PTFE gasket Colora 181/201/301 inf.	
			941281	PTFE gasket Colora 181/201/281/301 sup. 401 inf.	
			942281	PTFE gasket Colora 281 inf.	
			941371	PTFE gasket Colora 371 sup.	
			942371	PTFE gasket Colora 371 inf.	

COMPATIBLE PUMPING GASKET KIT



COMPATIBLE LARIUS

CODE	REF.	DESCRIPTION	PRICE
930123	40045	VEGA 23:1	
930130	40055	GHIBLI 30:1	
930145	40070	NOVA 45:1 / OMEGA 23:1	
930160	40075	NOVA 60:1 / OMEGA 30:1	

COMPATIBLE MAVES

CODE	REF.	DESCRIPTION	PRICE
930025		K 25	
930030	143080K	K 30	

COMPATIBLE IWATA

CODE	REF.	DESCRIPTION	PRICE
930331		331 / 333	
930431		431 / 433	

COMPATIBLE BINKS / HUBNER

CODE	REF.	DESCRIPTION	PRICE
014490	0114-014491/3	H 328	
014511	0114-014513/2	H 432	
014475	0114-014477/6	H 634 / 660	
014500	0114-014505/498	H 1032 / 1018	
013690	0114-013692/4	H 2548	



COMPATIBLE MACVER

CODE	REF.	DESCRIPTION	PRICE
013350	Pos. 13+16+19+20	30/50	
033110	Pos. 13+16+19+20	33/110	



COMPATIBLE MECART

CODE	REF.	DESCRIPTION	PRICE
032125	Gaskets + holder	32/12	

VAL SPRAY

CODE	DESCRIPTION	PRICE
930321	Gasket kit VTN 321/401/ECO 401/S-ECO 25 (5 inf + 7 sup)	
930323	Gasket kit VTN 010/201 + VTS 301 (6 inf + 11 sup)	
930325	Gasket kit VTX 051	



COMPATIBLE PUMPING GASKET GRACO

GRACO REPAIR KIT COMPLETE WITH SPHERES AND GASKETS



CODE	REF.	COMPATIBLE MODELS	PRICE
20-1856	235703	395st - 495st - 390st - 455st - 490st - Ultra 600 - 590st 595 st - Ultra 600 plus - 600 Ultimate - Line Lazer 3000	
20-2428	244194	295st - 395st - 495st - Ultra 395 - 495 - St Max 495 Ultimate Mx II 495 - Ultramax II 490 - 490st Pro Ultramax II 495 - 595st Max - 595st Max II - Ultra 595 Ultramax II 595 - 695 Ultimate - 695 Ultimate Mx Ultra 695 - Ultramax 695 - Line Lazer 3400	
20-2662	248212	SL 1250 - Ultimate Mx II 695 - Ultramax II 695 Ultimate Mx 795 - Ultramax 795 - Ultramax II 795 Ultramax 1095 - Ultimate Mx 1095 Line Lazer 3900 - Line Lazer 3900 II	
20-2663	248213	TS 1750 - UltraMax II 1095 - UltraMax 1595 Ultramax II 1595 - Ultimate Mx II 1095 - GMax 5900 Ultimate Mx 1595 - Ultimate Mx II 1595 - Mark V	
20-2917	249123	Mark X (stainless steel spheres) - Ultramax II 1895 - Gmax II 7900 - Texspray 7900 HD	
20-3193	16X431	Mark X (ceramic spheres) - Gmax II 7900 Texspray 7900 HD	
20-3194	24N012	EH 200DI - DutyMax EH 230 - GH 200DI DutyMax EH 300	
20-3195	24V063	Mark IV - Texspray Mark IV	
20-1499	222588	Line Lazer 3500 - Ultra 333 - Ultra 433 - Ultra 1000 GM 3500 - EM 590	
20-2639	246341	GH 200 - GMax 7900 - Hydramax 225	
20-3047	24F965	250cc Xtreme 1045	
20-3009	24F967	220cc Xtreme 900	
20-2914	287813	EH 200 - GH 200 - GH 230 - GH 300	
20-380	206733	MONARK 15:1 / PRESIDENT 30:1	
20-1084	218135	MONARK 23:1	
20-983	207729	BULLDOG 10:1 / KING 20:1	
20-855	207966	BULLDOG 20:1 / KING 45:1	
20-381	206735	BULLDOG 30:1 / KING 63:1	
20-2294	237239	BULLDOG 33:1 / KING 68:1	

AIRLESSCO REPAIR KIT COMPLETE WITH SPHERES AND GASKETS

CODE	REF.	COMPATIBLE MODELS	PRICE
20-1999	331210	LP 400 - LP 460 - LP 540 - LP 690	
20-1815	865672	SL 810 - SL 1100	
20-2662	248212	SL 1250	
20-2663	248213	TS 1750	
20-3194	24N012	HSS 9950	



COMPATIBLE SPARE PARTS GRACO

PUMP SLEEVE



CODE	REF.	COMPATIBLE MODELS	PRICE
57-2099	235708	395st - 490st - 495st - 590st - 595 st - Ultra 600 Ultra 600 plus - Ultimate 600- Line Lazer 3000	
57-2775	243176	395st Pro - St Max 395 - Ultramax 495 - St Max 490 595st Max II - Ultra 595 - Ultramax II 595 - 695 Ultimate Ultra 695 - Line Lazer 3400	
57-2273	240521	Ultramax II 695 - Ultimate Mx 795 - Ultramax 795 - Ultramax II 795 - Ultramax 1095 - Ultimate Mx 1095 Line Lazer 3900 - Line Lazer 3900 II - Mark IV	
57-2629	240525	Ultimate Mx 1595 - Ultimate Mx II 1595 - GMax 5900 Ultiramax 1595 - Ultramax II 1595 - Mark V	
57-2529	248210	Mark V - GMax 5900HD - IronMan 300E - 1500	
57-3185	248980	HSS 9000 - HSS 9950 - GH300	

PISTON ROD AND KIT

CODE	REF.	COMPATIBLE MODELS	PRICE
57-1946	235709	Piston 395st - 490st - 495st - 590st - 595 st - Ultra 600 Ultimate 600 - Line Lazer 3000	
57-3042	249125	Repair kit piston 190ES - 390 - St Max 595 - Ultramax II 495 - St Max 595 - Ultra 595 - Ultramax II 595 - Ultra plus 600 - Ultimate 695 Ultimate Mx 695 - Ultra 695 Ultra max 695 - Line Lazer 3400	
57-2670	240518	Piston Ultramax II 695 - Ultimate Mx 795 - Ultimate Mx II 795 - Ultramax 795 - Ultramax II 795 - Ultramax 1095 Ultimate Mx 1095 - Line Lazer II 3900 - Line Lazer III 3900	
57-2672	240517	Piston Ultramax 1095 - Ultimate Mx II 1095 - GMax 5900 - Ultimate Mx 1595 - Ultimate Mx II 1595 Ultramax 1595 - Ultramax II 1595	
57-3072	249028	Piston Mark V - GMax 5900HD - IronMan 300E	



GUNS REPAIR KIT

CODE	REF.	COMPATIBLE MODELS	PRICE
20-1502	218070	Contractor - FTx - ST - SG3	
20-2701	287031	Contractor II / FTx-II	

VALVES

CODE	REF.	DESCRIPTION	PRICE
20-2324	235014	Bleed valve (bare)	
58-2564	239932	Piston valve Ultramax 795 - Ultramax 1095	
58-2567	240150	Piston valve GMax 5900 - Mark IV	



COMPATIBLE SPARE PARTS TITAN

TITAN REPAIR KIT COMPLETE WITH SPHERES AND GASKETS



CODE	REF.	COMPATIBLE MODELS	PRICE
20-2397	704-113	340 - Epic 300HP	
20-2242	730-401	440i - Epic 440HP - Epic 440i - Epic 440 xc - 660 HPX 660 xc - 640i	
20-2209	702-140	440e - Epic 440e - 447 ex - 660 ex - 690 gx	
20-2727	704-586	Impact 440 - 440ix - impact 540 - 540ix - Impact 640 640ix - 600ix	
20-2810	800-450	740ix - Epic 470i - PowrLiner 2800M	
20-2849	800-273	Impact 740 - Impact 840 - 840ix - 840i - 1140ix Epic 1140i - 1140i	
20-3192	0558740	Impact 1040 - Impact 1140	

SPEEFLO REPAIR KIT COMPLETE WITH SPHERES AND GASKETS

CODE	REF.	COMPATIBLE MODELS	PRICE
20-1857	107-051	Powr Liner 4900 - Powr Twin 4900	
20-1883	143-050	Powr Liner 6900 - Powr Twin 6900	
20-2152	144-050	Powr Liner 8900 - Powr Twin 8900 / 1200	
20-1318	185-050	HydraPro III - IV - Super	
20-2396	245-050	Hydra M 4000	

PISTON ROD AND KIT

CODE	REF.	COMPATIBLE MODELS	PRICE
57-2720	704-560	340 - 440i - 640i - Impact 540 - Impact 440 - 440ix Epic 440 HP - 540ix - Impact 640 - 640ix - 660ix - 660HPX	
57-2780	75-120A	740i - 740ix - PowrLiner 2800M	
57-2820	800-246	Epic 840i - Epic 1040i - 840ix - 1140ix	
57-3038	805-235A	Impact 740 - Impact 840	
57-3294	805-247A	Impact 1040 - Impact 1140	
57-2270	107-029	Powr Liner 4900 - Powr Twin 4900	
57-2274	143-117	Powr Liner 6900 - Powr Twin 6900	
57-2594	144-117	Powr Liner 8900 - Powr Twin 8900 / 1200	



PUMP SLEEVE

CODE	REF.	COMPATIBLE MODELS	PRICE
57-2343	107-936	Powr Liner 4900 - Powr Twin 4900	
57-2329	143-822	Powr Liner 6900 - Powr Twin 6900	
57-2587	144-822	Powr Liner 8900 - Powr Twin 8900 / 1200	

COMPATIBLE SPARE PARTS TITAN

TITAN COMPATIBLE SPARE PARTS

CODE	REF.	DESCRIPTION	PRICE
57-2437T	762-137	Intake valve seat 340 - 440i - 640i	
20-7776	800-241	Intake valve seat 40i - 840i - 1140i	
58-2435	762-134	Compression valve seat 440i - 640i	
58-2761	800-243	Compression valve seat 740i - 840i - 1140i	
29-2600	700-258	Complete bleed valve assembly (Viton)	
29-2835	800-915	Complete bleed valve assembly (Solvent resistant)	
20-2095	580-034	Repair kit LX 80	
20-2088	520-025	Repair kit S 5 - SGX 20	



SPEEFLO COMPATIBLE SPARE PARTS

CODE	REF.	DESCRIPTION	PRICE
58-2437	762-137	Intake valve seat PowrTwin 4900	
58-2405	106-011	Compression valve PowrTwin 4900	
58-2327	193-945	Compression valve PowrTwin 6900 / 8900 / 12000	
29-2580	944-620	Bleed valve assembly PowrTwin 4900 / 6900	
14-2299	103-627	Suction filter 1 1/4"	
14-2344	930-005	Suction filter 1 1/4" 5M with sphere	
20-2439	235-050	Air motor repair kit PT 4900 / 6900 / 8900 / 12000	

COMPATIBLE SPARE PARTS WAGNER

WAGNER COMPATIBLE PUMP GASKET KIT

CODE	REF.	COMPATIBLE MODELS	PRICE
930121	T946.00	Colora C 121	
930181	T922.00	Colora C 181 - 201	
930251	T914.00	Colora C 251	
930281	T940.00	Colora C 281	
930371	T936.00	Colora C 371	
930401	T919.00	Colora C 401	
20-3187	0508221	Repair kit Pro Spray 27 - 30 - 31 - 34 - 3.29 - 3.31	
932840	115805+367991	Puma 28/40	
931515	368991+367991	Puma 15/150	
934015	T919.00E	Evomotion 40/15	
932030	T922.00E	Evomotion 20/30	



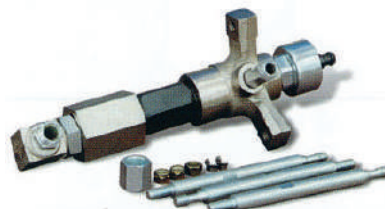
PUMPING AND REPAIR KIT VAL SPRAY



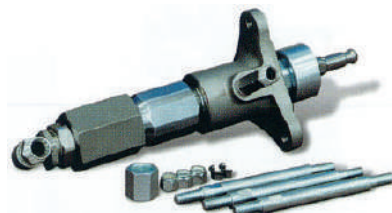
CODE	DESCRIPTION	PRICE
H68200	Displacement pump for pump 68:1	
R68200	Pump repair kit for 681 complete with spheres and seals	

COMPATIBLE: HANDOK 68:1 - BULLDOG 41:1 - BULLDOG 33:1

CODE	DESCRIPTION	PRICE
H68S200	Stainless steel displacement pump for pump PRO TEC 681	
R68S200	Pump repair kit for 681 in stainless steel complete with spheres and seals	



CODE	DESCRIPTION	PRICE
H63D200	Displacement pump for pump PRO MAX H72	
R63D200	Pump repair kit for 731 complete with spheres and seals	
H45D200	Displacement pump for pump PRO MAX H56	
R45D200	Pump repair kit for 561 complete with spheres and seals	
H45S200	Stainless steel displacement pump for pump PRO TEC 451 - PRO MAX H56 INOX	
R45S200	Pump repair kit for 451 and 561 in stainless steel complete with spheres and seals	



CODE	DESCRIPTION	PRICE
H63200	Displacement pump for pump PRO 631 FE	
R63200	Pump repair kit for 631 complete with spheres and seals	

COMPATIBLE: GRACO 63:1 - LARIUS NOVA 63:1

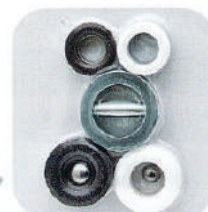
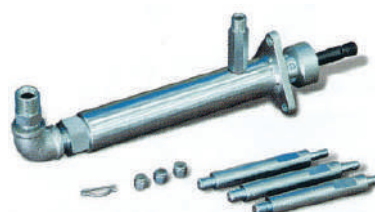


CODE	DESCRIPTION	PRICE
H45200	Displacement pump for pump PRO 451 FE	
R45200	Pump repair kit for 451 complete with spheres and seals	

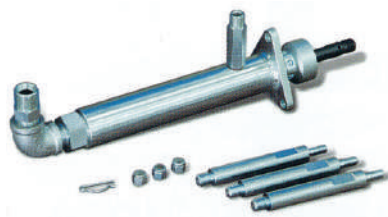
COMPATIBLE: GRACO 45:1 - LARIUS NOVA 45:1

CODE	DESCRIPTION	PRICE
H28S200	Stainless steel displacement pump for pump PRO WIN 281	
R28S200	Pump repair kit for 281 in stainless steel complete with spheres and seals	

**COMPATIBLE: GRACO PRESIDENT 30:1 INOX
GHIBLI 30:1 INOX - MAVES K30 INOX**



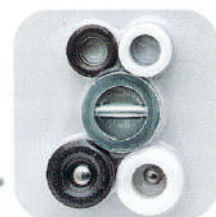
PUMPING AND REPAIR KIT VAL SPRAY



CODE	DESCRIPTION	PRICE
H28200	Displacement pump for pump PRO 301 FE	
R28200	Pump repair kit for 301 complete with spheres and seals	

COMPATIBLE: GRACO PRESIDENT 30:1 - GHIBLI 30:1 - MAVES K30

CODE	DESCRIPTION	PRICE
H23200	Displacement pump for pump 23:1	
R23200	Pump repair kit for 231 complete with spheres and seals	



COMPATIBLE: GRACO MONARK 23:1 - LARIUS VEGA 23:1 - MAVES K25

AIR MOTOR KIT VAL SPRAY



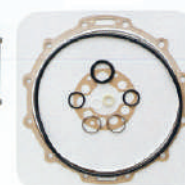
CODE	DESCRIPTION	PRICE
R281100-W	Pneumatic motor repair kit Nare 28100-W Compatible with PRO 301 FE - PRO WIN 281	

CODE	DESCRIPTION	PRICE
R45100	Pneumatic motor repair kit Nuri 45100 Compatible with PRO 451 FE - PRO TEC 451 - PRO 631 FE	



CODE	DESCRIPTION	PRICE
R68100	Pneumatic motor repair kit Mir 68100 Compatible with PRO 681 FE - PRO TEC 681	

CODE	DESCRIPTION	PRICE
R72100	Pneumatic motor repair kit 72100 Compatible with PRO MAX H56 - PRO MAX H72	



PISTONS GRINDING

Thanks to a specialized center, our company offers a piston grinding and chrome plating service for all models and brands.

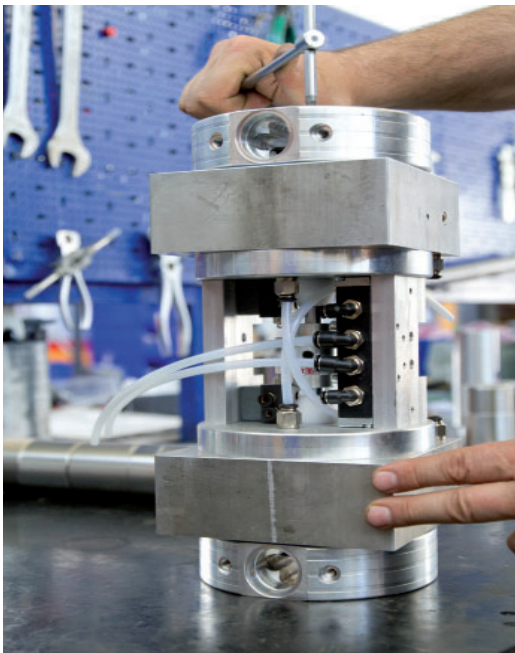


CODE	DESCRIPTION	PRICE
RCPG	Large piston grinding and chrome plating	
RCPM	Medium piston grinding and chrome plating	
RCPD	Small piston grinding and chrome plating	

REPAIRS AND MODIFICATIONS

Thanks to its specialized technical department, our company offers a repair, overhaul and modification service for paint pumps of all brands on the market, with the possibility of advice and quotes.

Upon request it is possible to demand the pick up of the machinery directly from your office, and after carrying out the necessary interventions, the direct shipment of the machinery once ready.



MAINTENANCE ACCESSORIES



CODE	DESCRIPTION	PRICE
200110	Needles for nozzle cleaning pkg. 12 pcs	

CODE	DESCRIPTION	PRICE
TTL001	Trilube lubricant for airless machine's piston 236 ml	
TTT001	Tritector cleans lubricates and protects the equipment 946 ml	



CODE	DESCRIPTION	PRICE
867670	Throat Seal lubricant for airless machine's piston 0.2 lt	
865714	Pump conditioner prevents internal corrosion, lubricates the spheres and protects equipment 1 lt	

CODE	DESCRIPTION	PRICE
601000	Hydraulic oil iso 46 lt.1	
601001	Diathermic oil for solvent regenerators	
10W40	Motor oil	



CODE	DESCRIPTION	PRICE
T401200	Roller complete with support	
T401201	Roller bare	

CODE	DESCRIPTION	PRICE
24V490	Jet Roller extension 50cm complete with roll 18cm and guard	
24V491	Jet Roller extension 50cm complete with roll 25cm and guard	

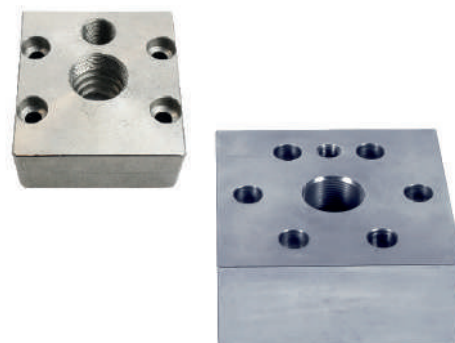


HEADS FOR AIRLESS MEMBRANE PUMPS



CODE	DESCRIPTION	PRICE
4524	Head type VS 4500 - 6000	

CODE	DESCRIPTION	PRICE
AS00BZZ1	Head type Asturo K500 in stainless steel	
AS00BZZ2	Head type Asturo K1000 in stainless steel	
AS00BAZ1	Head type Asturo K500 in aluminium	
AS00BAZ2	Head type Asturo K1000 in aluminium	



CODE	DESCRIPTION	PRICE
10024S	Head type VS 10000 Vertical	

**COMPATIBILE WITH PUMPS:
TECNOVER SUPERDIECIMILA - SUPER QUINDICIMILA
MECART VERTIGO V10000**

CODE	DESCRIPTION	PRICE
10024SL	Head type VS 10000 Horizontal	

**COMPATIBILE WITH PUMPS:
TECNOVER SUPERDIECIMILA - SUPER QUINDICIMILA LATERALE
MECART AURORA SS10000**



CODE	DESCRIPTION	PRICE
80024	Head type Larius Giotto 8000	

CODE	DESCRIPTION	PRICE
70024	Head type Sinaer 7000 - 10000	



SPARE PARTS FOR HP MEMBRANE PUMPS



CODE	DESCRIPTION	PRICE	
400080	Suction valve assembly 80 mm		
CODE	REF.	DESCRIPTION	PRICE
400083	1	Conical stem valve	
400084	2	Stem valve guide	
400088	3	Seal sleeve	
400086	4	Spring with nut and washer	
400089	5	Washer seal	
408081	1+2+3 +4+5	Conical stem valve kit	

CODE	DESCRIPTION	PRICE	
400004	Compression valve		
CODE	REF.	DESCRIPTION	PRICE
400446	1	Sphere seat	
400442	2	Copper gasket for cap	
400443	3	Sphere spring	
400444	4	Sphere TC 11mm	
400445	5	Sphere seat gasket	
400441	6	Stainless steel cap	
400447	7	Support gasket	



CODE	DESCRIPTION	PRICE
040300	Membrane kit VS 4500 - 6000	
041000	Membrane kit VS 10000 - 20000	
050353	Membrane spacer VS 4500 - 6000	
050017	Membrane spacer VS 10000 - 20000	
045000	Membrane type Tecover 5000	
043000	Membrane type Larius 3000	
4030	Membrane kit type Tecover 4000 - K300	

CODE	DESCRIPTION	PRICE
400005	Pressure regulating valve Val Spray	
400300	Pressure relief valve	
400006	O-ring	



CODE	DESCRIPTION	PRICE
400800	Stroke compensator kit with pressure gauge 0-400 bar	
400801	Stroke compensator F 18x1.5	
151416	Nipple M 1/4" x M 18x1.5	
400802	4-way junction FFFF 1/4"	
400810	3-way junction for pressure gauge FM 1/4" AVP	
401810	3-way junction for pressure gauge FM 1/4" Stainless steel	
400811	3-way junction for pressure gauge F 1/4" M 16x1,5	

HIGH PRESSURE VALVES



CODE	DESCRIPTION	PRICE
023010	High pressure valve BIG FF 1/4"	
023011	High pressure valve BIG HA with nipples M 1/4" x M 20x2	
023015	High pressure valve BIG FF 3/8"	
023015A	High pressure valve BIG FF 1/2"	
023015B	High pressure valve BIG FF 3/4"	
023015C	High pressure valve BIG FF 1"	

CODE	DESCRIPTION	PRICE
023010A	High pressure valve BIG FF 1/4" stainless steel	
023010B	High pressure valve BIG FF 3/8" stainless steel	
023010C	High pressure valve BIG FF 1/2" stainless steel	
023010D	High pressure valve BIG FF 3/4" stainless steel	
023010E	High pressure valve BIG FF 1" stainless steel	



CODE	DESCRIPTION	PRICE
023025	3-way high pressure valve BIG FFF 1/4"	
023030	3-way high pressure valve BIG FFF 3/8"	
023025A	3-way high pressure valve BIG FFF 1/2"	
023025B	3-way high pressure valve BIG FFF 3/4"	
023025C	3-way high pressure valve BIG FFF 1"	

CODE	DESCRIPTION	PRICE
023030A	3-way high pressure valve BIG FFF 1/4" stainless steel	
023030B	3-way high pressure valve BIG FFF 3/8" stainless steel	
023030C	3-way high pressure valve BIG FFF 1/2" stainless steel	
023030D	3-way high pressure valve BIG FFF 3/4" stainless steel	
023030E	3-way high pressure valve BIG FFF 1" stainless steel	



CODE	DESCRIPTION	PRICE
023005	Mini high pressure valve FF 1/4"	
023006	Mini high pressure valve with nipples M 1/4" x M 20x2	

CODE	DESCRIPTION	PRICE
023050	Mini high pressure valve FF 1/4" stainless steel	
023050F	Mini high pressure valve with nipples M 1/4" x M 20x2 stainless steel	



NON-RETURN VALVE



CODE	DESCRIPTION	PRICE
383714	High pressure non-return valve F 1/4"	
383738	High pressure non-return valve F 3/8"	
3837381/2	High pressure non-return valve F 1/2"	
3837383/4	High pressure non-return valve F 3/4"	
383738/1	High pressure non-return valve F 1"	
383814	High pressure non-return valve F 1/4" S. steel	
383838	High pressure non-return valve F 3/8" S. steel	
3838381/2	High pressure non-return valve F 1/2" S. steel	
3838383/4	High pressure non-return valve F 3/4" S. steel	
383838/1	High pressure non-return valve F 1" S. steel	

CODE	DESCRIPTION	PRICE
FB1/4001	Inspectable high pressure non-return valve M 1/4"	
30200	Inspectable high pressure non-return valve M 3/8"	
FB1/2003	Inspectable high pressure non-return valve M 1/2"	



CODE	DESCRIPTION	PRICE
FBL1/4000	Inspectable high pressure non-return valve F 1/4"	
FBL3/8000	Inspectable high pressure non-return valve F 3/8"	

SWIVEL FITTING



CODE	DESCRIPTION	PRICE
107000HT	Swivel fitting M 1/4" NPS x M 14x1mm - L45mm	
107001HT	Swivel fitting M 3/8" NPS x M 14x1mm - L46mm	
107002HT	Swivel fitting M 16X1.5 NPS x M 14x1mm - L46mm	
109030	Swivel fitting M 1/4" BPS x M 14x1mm - L45mm	
109023	Swivel fitting M 16x1,5mm x M 14x1mm - L47mm	
107009HT	Swivel fitting M 1/4" BSP x F 1/4" BSP - L37mm	
107012HT	Swivel fitting M 1/4" NPT x F 1/4" NPT - L37mm	
107013HT	Swivel fitting M 1/4" BSP x F 1/4" NPS - L37mm	
HD0200	Swivel fitting M 1/4" BSP x F 1/4" BSP	
HD020038	Swivel fitting M 3/8" BSP x F 3/8" BSP	
HD021438	Swivel fitting M 1/4" BSP x F 3/8" BSP	
10700GU	PTFE conical gasket for swivel fitting 1090XX	

LIQUID PRESSURE REGULATOR



CODE	DESCRIPTION	PRICE
400970	Liquid pressure regulator 0-6 bar	
400972	Pneumatic liquid pressure regulator 0-6 bar	
400974	Stainless steel liquid pressure regulator 0-6 bar	
400975	Stainless steel pneumatic liquid pressure regulator 0-6 bar	
400977N	Nylon liquid pressure regulator 0-6 bar for acids	
400978	Nylon pneumatic liquid pressure regulator 0-6 bar	

CODE	DESCRIPTION	PRICE
RPR500	Liquid pressure regulator 0-6 bar	



CODE	DESCRIPTION	PRICE
400977	Liquid pressure regulator 0-50 bar	

CODE	DESCRIPTION	PRICE
126001	Liquid pressure regulator 0-25 bar	

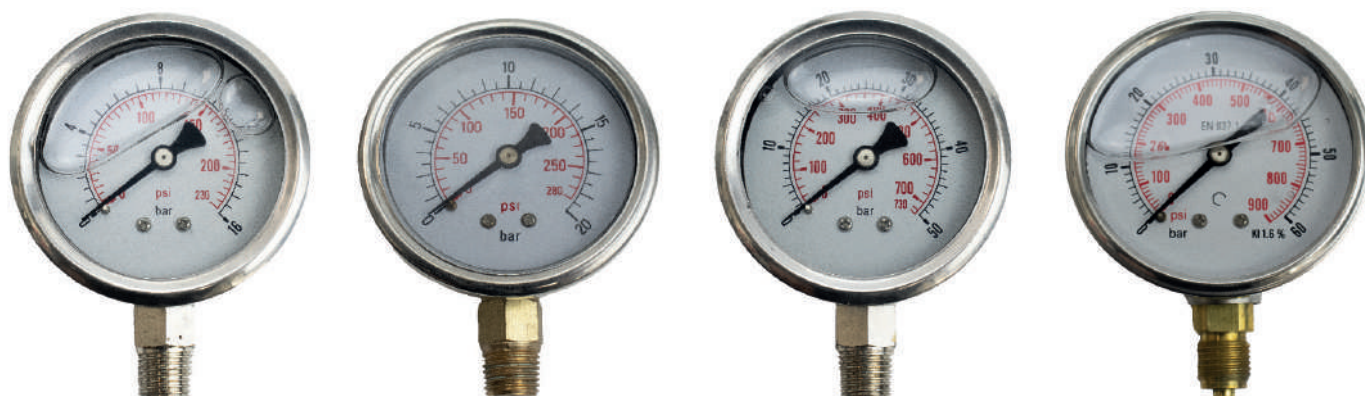
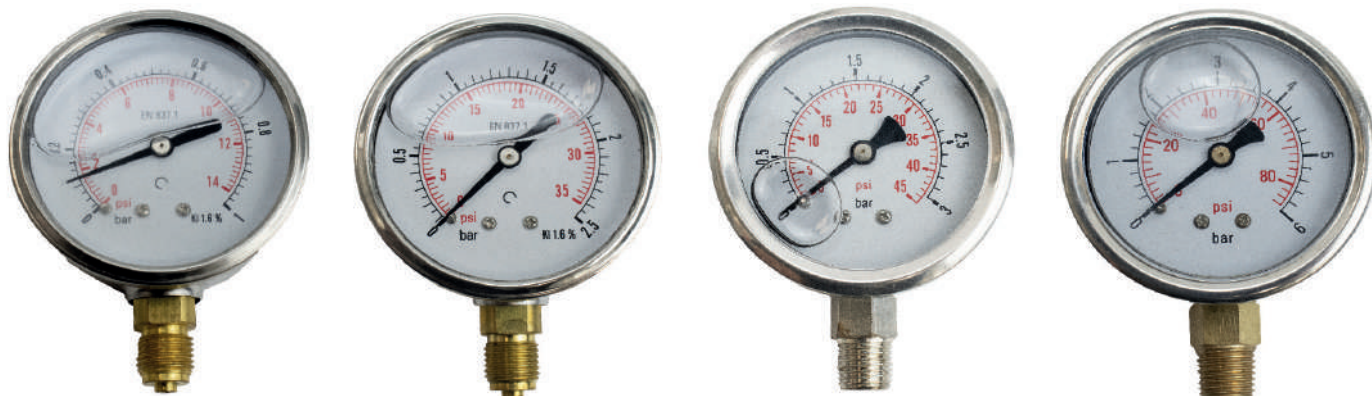


CODE	DESCRIPTION	PRICE
HA6100	Liquid pressure regulator 70-200 bar FF 3/8"	
HA6900	Liquid pressure regulator for mastic and thick products up to 25 lt / min pressure 7 - 310 bar M 3/4"	

CODE	DESCRIPTION	PRICE
RPR-6S-R1	High precision pneumatic regulator R1 1:1	
RPR-6S-R2	High precision pneumatic regulator R2 2:1	
RPR-6S-R4	High precision pneumatic regulator R4 4:1	



PRESSURE GAUGES FOR LIQUID



CODE	RANGE (BAR)	DESCRIPTION	FITTING	Ø	PRICE
M001D63R14P	0-1	Glycerine filled pressure gauge with radial connection	1/4"	63 MM	
M025D63R14P	0-2,5	Glycerine filled pressure gauge with radial connection	1/4"	63 MM	
M003D68R14P	0-3	Glycerine filled pressure gauge with radial connection	1/4"	68 MM	
400961	0-6	Glycerine filled pressure gauge with radial connection	1/4"	68 MM	
M016D65R14P	0-16	Glycerine filled pressure gauge with radial connection	1/4"	63 MM	
M020D68R14P	0-20	Glycerine filled pressure gauge with radial connection	1/4"	68 MM	
M050D68R14P	0-50	Glycerine filled pressure gauge with radial connection	1/4"	68 MM	
M060D65R14P	0-60	Glycerine filled pressure gauge with radial connection	1/4"	63 MM	
M100D63R14P	0-100	Glycerine filled pressure gauge with radial connection	1/4"	63 MM	
13002P	0-400	Flanged glycerine pressure gauge with back connection	1/4"	85 MM	
130001	0-400	Glycerine filled pressure gauge with radial connection	1/4"	68 MM	

PRESSURE GAUGES FOR AIR



CODE	RANGE (BAR)	DESCRIPTION	FITTING	Ø	PRICE
M025D50P18P	0-2,5	Plastic air pressure gauge with back connection	1/8"	50 MM	
M004D63R14R	0-4	Plastic air pressure gauge with radial connection	1/4"	63 MM	
M004D50P18P	0-4	Plastic air pressure gauge with back connection	1/8"	50 MM	
M006D63R14R	0-6	Glass air pressure gauge with radial connection	1/4"	63 MM	
M007D40R18R	0-7	Plastic air pressure gauge with radial connection	1/8"	40 MM	
212484	0-12	Glass air pressure gauge with back connection	1/8"	50 MM	

TANKS AND SIEVES



CODE	DESCRIPTION	PRICE
521000	Stainless steel tank 25 lt F 1"	
521001	Stainless steel tank 25 lt F 36x2	
521003	Nylon tank 35 lt M 2"	
52103G	Adapter M 2" F36x2 + Filter + Gasket	

CODE	DESCRIPTION	PRICE
520009	Nylon tank 6 lt F 1"	
520001	Nylon tank 6 lt F 36x2	
520011	Black nylon tank 6 lt F 36x2 for UV paint	
SLV4004	Bent return pipe for low pressure return hose 6x8	



CODE	DESCRIPTION	PRICE
520003	Nylon tank kit 6 lt for pump VS 36/50 - Complete with tank, cover, return hose and L-adapter FS 1/2" in iron	
520005	Nylon tank kit 6 lt for pump VS 25 - Complete with tank, cover, return hose and L-adapter FS 3/4" in stainless steel	
520001RTBP	Nylon tank kit 6 lt for pump VS K1 - Complete with tank, cover and return hose pipe with low pressure hose	

CODE	DESCRIPTION	PRICE
520001RT	Nylon tank kit 6 lt for pump - Complete with tank, cover and high pressure return hose 20x2	
520001RTA	Nylon tank kit 6 lt for pump - Complete with tank, cover, high pressure return hose 20x2 and U-adapter FS 36x2 x M 36x2 in stainless steel	



CODE	DESCRIPTION	PRICE
520002	Nylon tank 2 lt F 3/8"	
520007	Nylon tank 2 lt F 1/2"	
520002LL	Nylon tank 3 lt F 1"	
520007LL	Nylon tank 3 lt F 36 x 2	

CODE	DESCRIPTION	PRICE
23006	Can sieve 30 M	
23008	Can sieve 60 M	
SL4002	Support for tank filters 6 lt	
SL4003	Filter 210 micron for 6 lt tank (pkg 5 pcs)	



ADAPTORS AND LOW PRESSURE VALVES

CODE	DESCRIPTION	PRICE
47500	Aluminium reduction F 1/2" x M 36x2	
47600	Aluminium reduction F 3/4" x M 36x2	
47700	Aluminium reduction F 1" x M 36x2	
47800	Aluminium reduction F 28x1.5 x M 1/2"	
47900	Stainless steel reduction Larius type F 22x3 x M 36x2	
365001	Stainless steel reduction F 15x1 x M 28x1.5	
365002	Stainless steel reduction F 1/2" x M 28x1.5	
365003	Stainless steel reduction F 1" x M 28x1.5	
365004	Stainless steel reduction F 3/4" x M 28x1.5	
365005	Stainless steel reduction F 28x1.5 x M 1/2"	
365006	Stainless steel reduction F 18x1.25 x M 1/2"	
355606	Aluminium reduction for 1000 lt tank F S60x6 x F 2"	



CODE	DESCRIPTION	PRICE
021030	Iron L-adapter FS 1/2" x M 36x2 in ferro	
021040	Stainless steel L-adapter FS 36x2 x M 36x2	
021045	Stainless steel L-adapter FS 1/2" x M 36x2	
021050	Stainless steel L-adapter FS 3/4" x M 36x2	
021060	Stainless steel L-adapter FS 26x1.25 x M 36x2	

CODE	DESCRIPTION	PRICE
021055	Stainless steel U-adapter FS 3/4" x M 36x2	
021057	Stainless steel U-adapter FS 36x2 x M 36x2	
021058	Stainless steel U-adapter FS 1/2" x M 36x2	



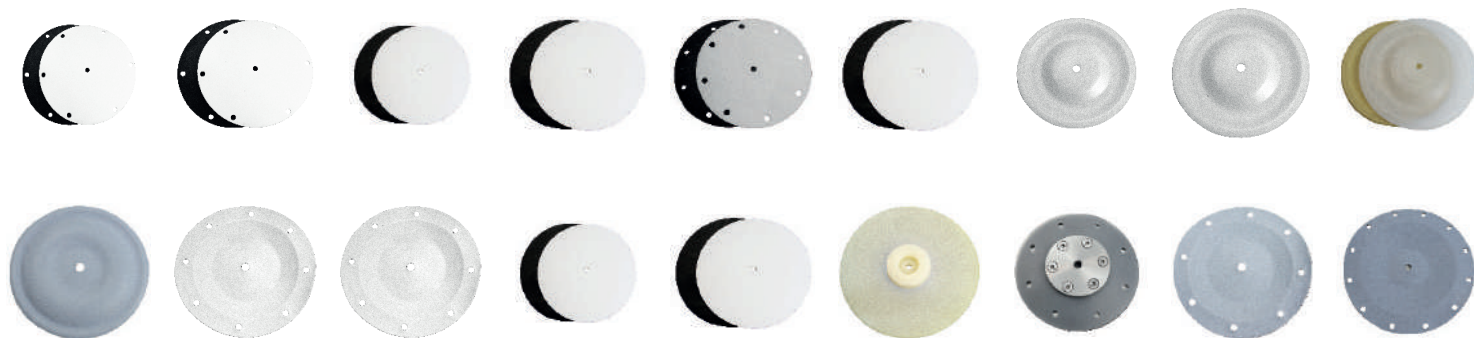
CODE	DESCRIPTION	PRICE
383114	Mini low pressure ball valve FM 1/4"	
383214	Mini low pressure ball valve FF 1/4"	

CODE	DESCRIPTION	PRICE
383014	Low pressure ball valve with lever FF 1/4"	
383314	Low pressure ball valve with butterfly tap FF 1/4"	
383038	Low pressure ball valve with lever FF 3/8"	
383338	Low pressure ball valve with butterfly tap FF 3/8"	
383012	Low pressure ball valve with lever FF 1/2"	
383034	Low pressure ball valve with lever FF 3/4"	
383100	Low pressure ball valve with lever FF 1"	
383141	Low pressure ball valve with lever FF 1 1/4"	

CODE	DESCRIPTION	PRICE
FB400088C	Short sleeve seal	



MEMBRANES AND CARTS



CODE	DESCRIPTION	HOLES	Ø	PRICE
040120	Membrane kit type COLORA PM 120 da 1 PTFE + 1 Rubber fabric	6+1	138MM	
040140	Membrane kit type COLORA PM 500 da 1 PTFE + 1 Rubber fabric	6+1	212MM	
040135	Membrane kit type IWATA DDP 90 da 1 PTFE + 1 Rubber fabric	1	108MM	
040136	Membrane kit type IWATA DDP 120 da 1 PTFE + 1 Rubber fabric	1	138MM	
040125	Membrane kit type KREMLIN PMP 150 da 1 PTFE + 1 Rubber fabric	7+1	150MM	
212490	Membrane kit VS 24 da 1 PTFE + 1 Rubber fabric	1	149MM	
PB0029	Membrane VS 36 - VAPA15U	1	121MM	
PB0032	Membrane VS 50 - VAPA20U	1	143MM	
PB0033	Membrane VS 180 - VAPA31U	1	223MM	
040101	Joint membrane type Wagner ZIP 52	1	117MM	
040102	Joint membrane type Sinaer 2002	8+1	142MM	
040100	Joint membrane type Monomix	8+1	142MM	
FA00C1	Membrane kit type FALCIONI da 1 PTFE + 1 Rubber fabric	1	111MM	
040116	Membrane kit type VERIND da 1 PTFE + 1 Rubber fabric	1	125MM	
T040116	Membrane TAIVER Boxer nylon 11	1	148MM	
28005L	Membrane kit type VS 28 3:1 a 1 nylon 11 + 1 Rubber fabric	8+1	148MM	
25005	Joint membrane VS 25	8+1	140MM	
02012	Joint membrane VS 36i	12+1	163MM	



CODE	DESCRIPTION	PRICE
212472	Wheel for VS 24 - 25 - 36 - 50 cart	
TNCRF02	Wheel for VTN - S cart	
757558	Pneumatic wheel for VS 4500 - 6000 - 10000 cart	
021051	Rotating wheel for VS 4500 - 6000 - 10000 cart	

CODE	DESCRIPTION	PRICE
30800	Cart complete with wheel for VTN - S	
CRF05	Plate for VTN - S cart or wall fixing	
25502C	Cart complete with wheel for VS 24 - 25 - 36 - 50	
25502P	Plate for VS 24 - 25 - 36 - 50 cart	



HOSES: HIGH PRESSURE

SINGLE METALLIC BRAID HOSE



CODE	HOSE DIAMETER	WORKING PRESSURE	BURST PRESSURE	PRICE PER METER
616000	3/16"	350 bar	467 bar	
614000	1/4"	300 bar	400 bar	
638000	3/8"	225 bar	300 bar	
612000	1/2"	190 bar	254 bar	

DOUBLE METALLIC BRAID HOSE

CODE	HOSE DIAMETER	WORKING PRESSURE	BURST PRESSURE	PRICE PER METER
814000	1/4"	400 bar	534 bar	
838000	3/8"	330 bar	440 bar	

SINGLE TEXTILE BRAID HOSE

CODE	HOSE DIAMETER	WORKING PRESSURE	BURST PRESSURE	PRICE PER METER
71400316	3/16"	210 bar	300 bar	
714000	1/4"	200 bar	225 bar	
738000	3/8"	175 bar	200 bar	
712000	1/2"	140 bar	180 bar	



SINGLE TEXTILE BRAID HOSE TYPE GRACO FOR AIRLESS PUMPS 15 MT



CODE	HOSE DIAMETER	WORKING PRESSURE	BURST PRESSURE	PRICE
914154	1/4"	225 bar	250 bar	
938158	3/8"	225 bar	250 bar	

SINGLE TEXTILE BRAID GRACO HOSE FOR AIRLESS PUMPS 15 MT

CODE	HOSE DIAMETER	WORKING PRESSURE	BURST PRESSURE	PRICE
865674	1/4"	200 bar	230 bar	
865675	3/8"	200 bar	230 bar	



DOUBLE STAINLESS STEEL BRAID HOSE WITH PTFE INTERIOR



CODE	HOSE DIAMETER	WORKING PRESSURE	BURST PRESSURE	PRICE PER METER
5316000	3/16"	365 bar	1250 bar	
514000	1/4"	365 bar	1100 bar	
538000	3/8"	285 bar	850 bar	
512000T	1/2"	280 bar	750 bar	
534000T	3/4"	200 bar	600 bar	

HOSES: SINGLE METALLIC BRAID FITTED

CODE	Ø HOSE	FITTING	LENGHT	PRICE
616000	HA 3/16"		per meter	
616054	HA 3/16"	FS 1/4"	mt. 5	
616754	HA 3/16"	FS 1/4"	mt. 7,5	
616104	HA 3/16"	FS 1/4"	mt. 10	
616154	HA 3/16"	FS 1/4"	mt. 15	
616204	HA 3/16"	FS 1/4"	mt. 20	
616055	HA 3/16"	FS 16x1,5	mt. 5 type Wagner	
616755	HA 3/16"	FS 16x1,5	mt. 7,5 type Wagner	
616105	HA 3/16"	FS 16x1,5	mt. 10 type Wagner	
616155	HA 3/16"	FS 16x1,5	mt. 15 type Wagner	
616205	HA 3/16"	FS 16x1,5	mt. 20 type Wagner	
614000	HA 1/4"		per meter	
614054	HA 1/4"	FS 1/4"	mt. 5	
614754	HA 1/4"	FS 1/4"	mt. 7,5	
614104	HA 1/4"	FS 1/4"	mt. 10	
614154	HA 1/4"	FS 1/4"	mt. 15	
614204	HA 1/4"	FS 1/4"	mt. 20	
614055	HA 1/4"	FS 16x1,5	mt. 5 type Wagner	
614755	HA 1/4"	FS 16x1,5	mt. 7,5 type Wagner	
614105	HA 1/4"	FS 16x1,5	mt. 10 type Wagner	
614155	HA 1/4"	FS 16x1,5	mt. 15 type Wagner	
614205	HA 1/4"	FS 16x1,5	mt. 20 type Wagner	
614058	HA 1/4"	FS 3/8"	mt. 5	
614758	HA 1/4"	FS 3/8"	mt. 7,5	
614108	HA 1/4"	FS 3/8"	mt. 10	
614158	HA 1/4"	FS 3/8"	mt. 15	
614208	HA 1/4"	FS 3/8"	mt. 20	
638000	HA 3/8"		per meter	
638055	HA 3/8"	FS 16x1,5	mt. 5 type Wagner	
638755	HA 3/8"	FS 16x1,5	mt. 7,5 type Wagner	
638105	HA 3/8"	FS 16x1,5	mt. 10 type Wagner	
638155	HA 3/8"	FS 16x1,5	mt. 15 type Wagner	
638205	HA 3/8"	FS 16x1,5	mt. 20 type Wagner	
638058	HA 3/8"	FS 3/8"	mt. 5	
638758	HA 3/8"	FS 3/8"	mt. 7,5	
638108	HA 3/8"	FS 3/8"	mt. 10	
638158	HA 3/8"	FS 3/8"	mt. 15	
638208	HA 3/8"	FS 3/8"	mt. 20	

FITTING IN AVP

FITTING RANGE:
NPT - NPS - JIC



HIGH PRESSURE HOSE TYPE KREMLIN FITTED 1/2" JIC

CODE	Ø HOSE	FITTING	LENGHT	PRICE
638055JIC	HA 3/16"	FS 1/2" JIC	mt. 5	
638755JIC	HA 3/16"	FS 1/2" JIC	mt. 7,5	
638105JIC	HA 3/16"	FS 1/2" JIC	mt. 10	
638155JIC	HA 3/16"	FS 1/2" JIC	mt. 15	
638205JIC	HA 3/16"	FS 1/2" JIC	mt. 20	
638058JIC	HA 1/4"	FS 1/2" JIC	mt. 5	
638758JIC	HA 1/4"	FS 1/2" JIC	mt. 7,5	
638108JIC	HA 1/4"	FS 1/2" JIC	mt. 10	
638158JIC	HA 1/4"	FS 1/2" JIC	mt. 15	
638208JIC	HA 1/4"	FS 1/2" JIC	mt. 20	

HOSES: SINGLE METALLIC BRAID FITTED

CODE	Ø HOSE	FITTING	LENGHT	PRICE
616000	HA 3/16"		per meter	
616054i	HA 3/16"	FS 1/4"	mt. 5	
616754i	HA 3/16"	FS 1/4"	mt. 7,5	
616104i	HA 3/16"	FS 1/4"	mt. 10	
616154i	HA 3/16"	FS 1/4"	mt. 15	
616204i	HA 3/16"	FS 1/4"	mt. 20	
616055i	HA 3/16"	FS 16x1,5	mt. 5 type Wagner	
616755i	HA 3/16"	FS 16x1,5	mt. 7,5 type Wagner	
616105i	HA 3/16"	FS 16x1,5	mt. 10 type Wagner	
616155i	HA 3/16"	FS 16x1,5	mt. 15 type Wagner	
616205i	HA 3/16"	FS 16x1,5	mt. 20 type Wagner	
614000	HA 1/4"		per meter	
614054i	HA 1/4"	FS 1/4"	mt. 5	
614754i	HA 1/4"	FS 1/4"	mt. 7,5	
614104i	HA 1/4"	FS 1/4"	mt. 10	
614154i	HA 1/4"	FS 1/4"	mt. 15	
614204i	HA 1/4"	FS 1/4"	mt. 20	
614055i	HA 1/4"	FS 16x1,5	mt. 5 type Wagner	
614755i	HA 1/4"	FS 16x1,5	mt. 7,5 type Wagner	
614105i	HA 1/4"	FS 16x1,5	mt. 10 type Wagner	
614155i	HA 1/4"	FS 16x1,5	mt. 15 type Wagner	
614205i	HA 1/4"	FS 16x1,5	mt. 20 type Wagner	
614058i	HA 1/4"	FS 3/8"	mt. 5	
614758i	HA 1/4"	FS 3/8"	mt. 7,5	
614108i	HA 1/4"	FS 3/8"	mt. 10	
614158i	HA 1/4"	FS 3/8"	mt. 15	
614208i	HA 1/4"	FS 3/8"	mt. 20	
638000	HA 3/8"		per meter	
638055i	HA 3/8"	FS 16x1,5	mt. 5 type Wagner	
638755i	HA 3/8"	FS 16x1,5	mt. 7,5 type Wagner	
638105i	HA 3/8"	FS 16x1,5	mt. 10 type Wagner	
638155i	HA 3/8"	FS 16x1,5	mt. 15 type Wagner	
638205i	HA 3/8"	FS 16x1,5	mt. 20 type Wagner	
638058i	HA 3/8"	FS 3/8"	mt. 5	
638758i	HA 3/8"	FS 3/8"	mt. 7,5	
638108i	HA 3/8"	FS 3/8"	mt. 10	
638158i	HA 3/8"	FS 3/8"	mt. 15	
638208i	HA 3/8"	FS 3/8"	mt. 20	

HIGH PRESSURE HOSE TYPE KREMLIN FITTED 1/2" JIC

CODE	Ø HOSE	FITTING	LENGHT	PRICE
638055JiCi	HA 3/16"	FG 1/2" JIC	mt. 5	
638755JiCi	HA 3/16"	FG 1/2" JIC	mt. 7,5	
638105JiCi	HA 3/16"	FG 1/2" JIC	mt. 10	
638155JiCi	HA 3/16"	FG 1/2" JIC	mt. 15	
638205JiCi	HA 3/16"	FG 1/2" JIC	mt. 20	
638058JiCi	HA 1/4"	FG 1/2" JIC	mt. 5	
638758JiCi	HA 1/4"	FG 1/2" JIC	mt. 7,5	
638108JiCi	HA 1/4"	FG 1/2" JIC	mt. 10	
638158JiCi	HA 1/4"	FG 1/2" JIC	mt. 15	
638208JiCi	HA 1/4"	FG 1/2" JIC	mt. 20	

FITTING IN STAINLESS STEEL

FITTING RANGE:
NPT - NPS - JIC



HOSES: DOUBLE METALLIC BRAID FITTED

FITTING IN AVP

CODE	Ø HOSE	FITTING	LENGHT	PRICE
814000	HA 1/4"		per meter	
814054	HA 1/4"	FS 1/4"	mt. 5	
814754	HA 1/4"	FS 1/4"	mt. 7,5	
814104	HA 1/4"	FS 1/4"	mt. 10	
814154	HA 1/4"	FS 1/4"	mt. 15	
814204	HA 1/4"	FS 1/4"	mt. 20	
814055	HA 1/4"	FS 16x1,5	mt. 5	
814755	HA 1/4"	FS 16x1,5	mt. 7,5	
814105	HA 1/4"	FS 16x1,5	mt. 10	
814155	HA 1/4"	FS 16x1,5	mt. 15	
814205	HA 1/4"	FS 16x1,5	mt. 20	
814058	HA 1/4"	FS 3/8"	mt. 5	
814758	HA 1/4"	FS 3/8"	mt. 7,5	
814108	HA 1/4"	FS 3/8"	mt. 10	
814158	HA 1/4"	FS 3/8"	mt. 15	
814208	HA 1/4"	FS 3/8"	mt. 20	
838000	HA 3/8"		per meter	
838055	HA 3/8"	FS 16x1,5	mt. 5	
838755	HA 3/8"	FS 16x1,5	mt. 7,5	
838105	HA 3/8"	FS 16x1,5	mt. 10	
838155	HA 3/8"	FS 16x1,5	mt. 15	
838205	HA 3/8"	FS 16x1,5	mt. 20	
838058	HA 3/8"	FS 3/8"	mt. 5	
838758	HA 3/8"	FS 3/8"	mt. 7,5	
838108	HA 3/8"	FS 3/8"	mt. 10	
838158	HA 3/8"	FS 3/8"	mt. 15	
838208	HA 3/8"	FS 3/8"	mt. 20	

FITTING RANGE:
NPT - NPS - JIC



CODE	DESCRIPTION	PRICE
HS23GUAI-4A	Sheath Ø 40	
HS23GUAI-5A	Sheath Ø 55	
HS23GUAI-6A	Sheath Ø 65	
HS23GUAI-9A	Sheath Ø 90	

HOSES: SINGLE TEXTILE BRAID FITTED

CODE	Ø HOSE	FITTING	LENGHT	PRICE
714316	HA 3/16"	FS 1/4"	mt. 5	
714317	HA 3/16"	FS 1/4"	mt. 7,5	
714318	HA 3/16"	FS 1/4"	mt. 10	
714319	HA 3/16"	FS 1/4"	mt. 15	
714320	HA 3/16"	FS 1/4"	mt. 20	
714000	HA 1/4"		per meter	
714054	HA 1/4"	FS 1/4"	mt. 5	
714754	HA 1/4"	FS 1/4"	mt. 7,5	
714104	HA 1/4"	FS 1/4"	mt. 10	
714154	HA 1/4"	FS 1/4"	mt. 15	
714204	HA 1/4"	FS 1/4"	mt. 20	
714055	HA 1/4"	FS 16x1,5	mt. 5	
714755	HA 1/4"	FS 16x1,5	mt. 7,5	
714105	HA 1/4"	FS 16x1,5	mt. 10	
714155	HA 1/4"	FS 16x1,5	mt. 15	
714205	HA 1/4"	FS 16x1,5	mt. 20	
714058	HA 1/4"	FS 3/8"	mt. 5	
714758	HA 1/4"	FS 3/8"	mt. 7,5	
714108	HA 1/4"	FS 3/8"	mt. 10	
714158	HA 1/4"	FS 3/8"	mt. 15	
714208	HA 1/4"	FS 3/8"	mt. 20	
738000	HA 3/8"		per meter	
738055	HA 3/8"	FS 16x1,5	mt. 5	
738755	HA 3/8"	FS 16x1,5	mt. 7,5	
738105	HA 3/8"	FS 16x1,5	mt. 10	
738155	HA 3/8"	FS 16x1,5	mt. 15	
738205	HA 3/8"	FS 16x1,5	mt. 20	
738058	HA 3/8"	FS 3/8"	mt. 5	
738758	HA 3/8"	FS 3/8"	mt. 7,5	
738108	HA 3/8"	FS 3/8"	mt. 10	
738158	HA 3/8"	FS 3/8"	mt. 15	
738208	HA 3/8"	FS 3/8"	mt. 20	

NON-CONDUCTIVE HOSE

FITTING IN STAINLESS STEEL

FITTING RANGE:
NPT - NPS - JIC



HOSES: LOW PRESSURE

RILSAN PA 12 HOSE



CODE	HOSE DIAMETER	WORKING PRESSURE	BURST PRESSURE	PRICE PER METER
35024	2x4	44 bar	133 bar	
35046	4x6	27 bar	80 bar	
35068	6x8	19 bar	57 bar	
35810	8x10	15 bar	44 bar	
35112	10x12	12 bar	36 bar	
35114	12x14	22 bar	67 bar	

POLYURETHANE PU SH 98 HOSE

CODE	HOSE DIAMETER	WORKING PRESSURE	BURST PRESSURE	PRICE PER METER
35024PU	2x4	44 bar	133 bar	
35046PU	4x6	27 bar	80 bar	
35068PU	6x8	19 bar	57 bar	
35810PU	8x10	15 bar	44 bar	
35112PU	10x12	12 bar	36 bar	
35114PU	12x14	22 bar	67 bar	



AIR HOSE



CODE	HOSE DIAMETER	WORKING PRESSURE	BURST PRESSURE	PRICE PER METER
350106	6x14	20 bar	60 bar	
350108	8x17	20 bar	60 bar	
350113	13x23	20 bar	60 bar	
350116	16x26	20 bar	60 bar	
350119	19x30	20 bar	60 bar	
350125	24x37	20 bar	60 bar	
351125	25x39	25 bar	60 bar	

SOLVENT-RESISTANT SUCTION HOSE

CODE	HOSE DIAMETER	WORKING PRESSURE	BURST PRESSURE	PRICE PER METER
100013	13x23	10 bar	30 bar	
100016	16x26	10 bar	30 bar	
100019	19x29	10 bar	30 bar	
100025	25x37	10 bar	30 bar	



HOSES: LOW PRESSURE

SOLVENT-RESISTANT RUBBER HOSE



CODE	HOSE DIAMETER	WORKING PRESSURE	BURST PRESSURE	PRICE PER METER
810170	10x17	10 bar	30 bar	

HOSE COMPLETE WITH FITTINGS

CODE	HOSE DIAMETER	FITTING	LENGHT	PRICE
810177	10x17	FS 3/8"	mt. 7,5	
180171	10x17	FS 3/8"	mt. 10	
810175	10x17	FS 3/8"	mt. 15	
810172	10x17	FS 3/8"	mt. 20	

PTFE HOSE FOR ELECTROSTATIC SYSTEMS

CODE	HOSE DIAMETER	WORKING PRESSURE	BURST PRESSURE	PRICE PER METER
VSZBT00TB1	6x10	28 bar	85 bar	
VSZBT00TB2	6x8	28 bar	85 bar	
VSZBT00TB3	5x9	31 bar	95 bar	
VSZBT00TB8	4x8	35 bar	110 bar	

OGIVE FITTINGS FOR PTFE HOSE

CODE	HOSE DIAMETER	FITTING	PRICE
VSZBT00TB4	6x10	M 1/4" 90°	
VSZBT00TB5	6x10	M 1/4"	
VSZBT00TB6	6x8	M 1/4"	
VSZBT00TB7	6x8	M 1/4" 90°	



OVERSIZED DOUBLE HOSE FOR WATER AND SOLVENT BASED PAINTS



CODE	HOSE DIAMETER	WORKING PRESSURE	BURST PRESSURE	PRICE PER METER
816000	6.5x10 + 8x11	20 bar	50 bar	

HOSE COMPLETE WITH FITTINGS

CODE	HOSE DIAMETER	FITTING	LENGHT	PRICE
816005	6.5x10 + 8x11	FS 3/8" + FS 1/4"	mt. 5	
816075	6.5x10 + 8x11	FS 3/8" + FS 1/4"	mt. 7,5	
816100	6.5x10 + 8x11	FS 3/8" + FS 1/4"	mt. 10	
816150	6.5x10 + 8x11	FS 3/8" + FS 1/4"	mt. 15	
816200	6.5x10 + 8x11	FS 3/8" + FS 1/4"	mt. 20	

DOUBLE HOSE

CODE	HOSE DIAMETER	WORKING PRESSURE	BURST PRESSURE	PRICE PER METER
886868	6x8	15 bar	30 bar	
884646	4x6	15 bar	30 bar	
884242	2x4	15 bar	30 bar	

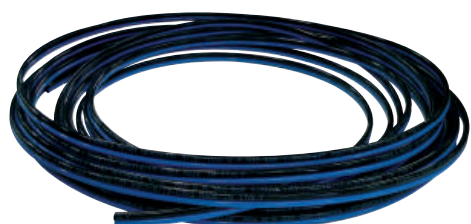


DOUBLE HOSE FITTED

CODE	HOSE Ø	FITTING	LENGHT	PRICE
886805	6x8	FS 1/4"	mt. 5	
886875	6x8	FS 1/4"	mt. 7,5	
886810	6x8	FS 1/4"	mt. 10	
886815	6x8	FS 1/4"	mt. 15	
886820	6x8	FS 1/4"	mt. 20	
886805J	6x8	FS 1/2 Jic	mt. 5	
886875J	6x8	FS 1/2 Jic	mt. 7,5	
886810J	6x8	FS 1/2 Jic	mt. 10	
886815J	6x8	FS 1/2 Jic	mt. 15	
886820J	6x8	FS 1/2 Jic	mt. 20	
883805	6x8	FS 3/8"	mt. 5	
883875	6x8	FS 3/8"	mt. 7,5	
883810	6x8	FS 3/8"	mt. 10	
883815	6x8	FS 3/8"	mt. 15	
883820	6x8	FS 3/8"	mt. 20	



DOUBLE MIX HOSE



DOUBLE MIX HOSE MADE OF 1 HOSE HP 3/16" + 1 HOSE PU 6X8

CODE	HOSE DIAMETER	WORKING PRESSURE	BURST PRESSURE	PRICE PER METER
661000	3/16"	200 bar	267 bar	
	5x8	10 bar	17 bar	

HOSE COMPLETE WITH STANDARD FITTINGS

CODE	HOSE Ø	FITTING	LENGHT	PRICE
661005	HA3/16"+BP6X8	FS 1/4"	mt. 5	
661675	HA3/16"+BP6X8	FS 1/4"	mt. 7,5	
661610	HA3/16"+BP6X8	FS 1/4"	mt. 10	
661615	HA3/16"+BP6X8	FS 1/4"	mt. 15	
661620	HA3/16"+BP6X8	FS 1/4"	mt. 20	

HOSE COMPLETE WITH KREMLIN TYPE FITTINGS

CODE	HOSE Ø	FITTING	LENGHT	PRICE
661005J	HA3/16"+BP6X8	FS 1/2 Jic	mt. 5	
661675J	HA3/16"+BP6X8	FS 1/2 Jic	mt. 7,5	
661610J	HA3/16"+BP6X8	FS 1/2 Jic	mt. 10	
661615J	HA3/16"+BP6X8	FS 1/2 Jic	mt. 15	
661620J	HA3/16"+BP6X8	FS 1/2 Jic	mt. 20	

HOSE COMPLETE WITH WAGNER TYPE FITTINGS

CODE	HOSE Ø	FITTING	LENGHT	PRICE
661005W	HA3/16"+BP6X8	FS 16x1.5	mt. 5	
661675W	HA3/16"+BP6X8	FS 16x1.5	mt. 7,5	
661610W	HA3/16"+BP6X8	FS 16x1.5	mt. 10	
661615W	HA3/16"+BP6X8	FS 16x1.5	mt. 15	
661620W	HA3/16"+BP6X8	FS 16x1.5	mt. 20	



HOSES: LOW PRESSURE

RILSAN



POLYURETHANE



CODE	DESCRIPTION	PRICE
356875	Spiral hose Rilsan inside \varnothing 6 mm 7,5 mt. fitted	
356810	Spiral hose Rilsan inside \varnothing 6 mm 10 mt. fitted	
356815	Spiral hose Rilsan inside \varnothing 6 mm 15 mt. fitted	
356820	Spiral hose Rilsan inside \varnothing 6 mm 20 mt. fitted	
356825	Spiral hose Rilsan inside \varnothing 6 mm 25 mt. fitted	
356830	Spiral hose Rilsan inside \varnothing 6 mm 30 mt. fitted	
355875	Polyurethane spiral hose inside \varnothing 5,5 mm 7,5 mt. fitted	
355810	Polyurethane spiral hose inside \varnothing 5,5 mm 10 mt. fitted	
355812	Polyurethane spiral hose inside \varnothing 5,5 mm 12,5 mt. fitted	
366875	Spiral hose Rilsan inside \varnothing 6 mm 7,5 mt without fitting	
366810	Spiral hose Rilsan inside \varnothing 6 mm 10 mt. without fitting	
366815	Spiral hose Rilsan inside \varnothing 6 mm 15 mt. without fitting	
366820	Spiral hose Rilsan inside \varnothing 6 mm 20 mt. without fitting	
366825	Spiral hose Rilsan inside \varnothing 6 mm 25 mt. without fitting	
366830	Spiral hose Rilsan inside \varnothing 6 mm 30 mt. without fitting	
365875	Polyurethane spiral hose inside \varnothing 5,5 mm 7,5 mt. without fitting	
365810	Polyurethane spiral hose inside \varnothing 5,5 mm 10 mt. without fitting	
365812	Polyurethane spiral hose inside \varnothing 5,5 mm 12,5 mt. without fitting	

SUCTION SYSTEM ASSEMBLY: GALVANIZED

PAINT SUCTION SYSTEM WITH HOSE LENGTH 750 MM



CODE	DESCRIPTION	PRICE
060012	Paint suction system with hose Ø 13 and suction M 15x1 FS 1/2"	
060129	Paint suction system with hose Ø 13 and suction M 15x1 FS 1/2" 90°	
060034	Paint suction system with hose Ø 13 and suction M 15x1 FS 3/4"	
060349	Paint suction system with hose Ø 13 and suction M 15x1 FS 3/4" 90°	
160362	Paint suction system with hose Ø 13 and suction M 15x1 FS 36x2	
163629	Paint suction system with hose Ø 13 and suction M 15x1 FS 36x2 90°	

CODE	DESCRIPTION	PRICE
0603412	Paint suction system with hose Ø 19 and suction M 1/2" FS 3/4"	
0634912	Paint suction system with hose Ø 19 and suction M 1/2" FS 3/4" 90°	
0603612	Paint suction system with hose Ø 19 and suction M 1/2" FS 36x2	
0636912	Paint suction system with hose Ø 19 and suction M 1/2" FS 36x2 90°	

PAINT SUCTION SYSTEM WITH HOSE LENGTH 750 MM



DISPERSION SUCTION SYSTEM WITH HOSE LENGTH 750 MM



CODE	DESCRIPTION	PRICE
070001	Dispersion suction system with hose Ø 25 and suction M 28x1,5 with nut FS 1"	
070019	Dispersion suction system with hose Ø 25 and suction M 28x1,5 with nut FS 1" 90°	
070362	Dispersion suction system with hose Ø 25 and suction M 28x1,5 with nut FS 36x2	
073629	Dispersion suction system with hose Ø 25 and suction M 28x1,5 with nut FS 36x2 90° facing down	
073629S	Dispersion suction system with hose Ø 25 and suction M 28x1,5 with nut FS 36x2 90° facing up	

SYSTEM AND PUMP MATCHING TABLE

CODE	PUMP
060012	BDP, VS 24, VS 36, VS 50
0603412	VS 25
060129	VS 2B
0636912	VTS 051, VTS 201, VTN 321, VTN 401, VTS 301/S
073629	VS 4500 - 6000 - 10000 Compact
070362	VS 10000 Eco
070001	PRO TEC 45 - 68

SUCTION SYSTEM ASSEMBLY: STAINLESS STEEL

STAINLESS STEEL PAINT SUCTION SYSTEM WITH HOSE LENGHT 750 MM



CODE	DESCRIPTION	PRICE
080012	Stainless steel paint suction system with hose \varnothing 13 and suction M 15x1 FS 1/2"	
080129	Stainless steel paint suction system with hose \varnothing 13 and suction M 15x1 FS 1/2" 90°	
080034	Stainless steel paint suction system with hose \varnothing 13 and suction M 15x1 FS 3/4"	
080349	Stainless steel paint suction system with hose \varnothing 13 and suction M 15x1 FS 3/4" 90°	
180362	Stainless steel paint suction system with hose \varnothing 13 and suction M 15x1 FS 36x2	
183629	Stainless steel paint suction system with hose \varnothing 13 and suction M 15x1 FS 36x2 90°	

CODE	DESCRIPTION	PRICE
0803412	Stainless steel paint suction system with hose \varnothing 19 and suction M 1/2" FS 3/4"	
0834912	Stainless steel paint suction system with hose \varnothing 19 and suction M 1/2" FS 3/4" 90°	
0803612	Stainless steel paint suction system with hose \varnothing 19 and suction M 1/2" FS 36x2	
0836912	Stainless steel paint suction system with hose \varnothing 19 and suction M 1/2" FS 36x2 90° facing down	
0836912S	Stainless steel paint suction system with hose \varnothing 19 and suction M 1/2" FS 36x2 90° facing up	

STAINLESS STEEL PAINT SUCTION SYSTEM WITH HOSE LENGHT 750 MM



CODE	DESCRIPTION	PRICE
090001	Stainless steel dispersion suction system with hose \varnothing 25 and suction M 28x1,5 with nut FS 1"	
090019	Stainless steel dispersion suction system with hose \varnothing 25 and suction M 28x1,5 with nut FS 1" 90°	
090362	Stainless steel dispersion suction system with hose \varnothing 25 and suction M 28x1,5 with nut FS 36x2	
093629	Stainless steel dispersion suction system with hose \varnothing 25 and suction M 28x1,5 with nut FS 36x2 90° down	
093629S	Stainless steel dispersion suction system with hose \varnothing 25 and suction M 28x1,5 with nut FS 36x2 90° up	

STAINLESS STEEL DISPERSION SUCTION SYSTEM WITH HOSE LENGHT 750 MM



SYSTEM AND PUMP MATCHING TABLE

CODE	PUMP
080012	VS 36i
0836912	VTS 051, VTS 201, VTN 321, VTN 401, VTS 301/S

SUCTION HOSE: GALVANIZED

**PAINT SUCTION PIPE Ø 13MM
HOSE LENGHT 750 MM**



CODE	DESCRIPTION	PRICE
100012	Paint suction pipe with hose Ø 13 suction M 15x1 and nut FS 1/2"	
100129	Paint suction pipe with hose Ø 13 suction M 15x1 and nut FS 1/2" 90°	
100034	Paint suction pipe with hose Ø 13 suction M 15x1 and nut FS 3/4"	
100349	Paint suction pipe with hose Ø 13 suction M 15x1 and nut FS 3/4" 90°	
100362	Paint suction pipe with hose Ø 13 suction M 15x1 and nut FS 36x2	
103629	Paint suction pipe with hose Ø 13 suction M 15x1 and nut FS 36x2 90°	

CODE DESCRIPTION PRICE

1003412	Paint suction pipe with hose Ø 19 suction M 1/2" and nut FS 3/4"	
1034912	Paint suction pipe with hose Ø 19 suction M 1/2" and nut FS 3/4" 90°	
1003612	Paint suction pipe with hose Ø 19 suction M 1/2" and nut FS 36x2	
1036912	Paint suction pipe with hose Ø 19 suction M 1/2" and nut FS 36x2 90° facing down	
1036912S	Paint suction pipe with hose Ø 19 suction M 1/2" and nut FS 36x2 90° facing up	

**PAINT SUCTION PIPE Ø 19MM
HOSE LENGHT 750 MM**



CODE DESCRIPTION PRICE

080001	Dispersion suction pipe with hose Ø 25 and suction M 28x1,5 with nut FS 1"	
080019	Dispersion suction pipe with hose Ø 25 and suction M 28x1,5 with nut FS 1" 90°	
080362	Dispersion suction pipe with hose Ø 25 and suction M 28x1,5 with nut FS 36x2	
083629	Dispersion suction pipe with hose Ø 25 and suction M 28x1,5 with nut FS 36x2 90° facing down	
083629S	Dispersion suction pipe with hose Ø 25 and suction M 28x1,5 with nut FS 36x2 90° facing up	

**DISPERSION SUCTION PIPE Ø 25MM
HOSE LENGHT 750 MM**



CODE DESCRIPTION PRICE

010202	Return hose high pressure	
010209	Return hose high pressure 90° facing down	
010209S	Return hose high pressure 90° facing up	
010220	Tank return hose	
010229	Tank return hose 90°	



SUCTION HOSE: STAINLESS STEEL

STAINLESS STEEL PAINT SUCTION PIPE Ø 13MM HOSE LENGHT 750 MM



CODE	DESCRIPTION	PRICE
110012	Stainless steel paint suction pipe with hose Ø 13 suction M 15x1 and nut FS 1/2"	
110129	Stainless steel paint suction pipe with hose Ø 13 suction M 15x1 and nut FS 1/2" 90°	
110034	Stainless steel paint suction pipe with hose Ø 13 suction M 15x1 and nut FS 3/4"	
110349	Stainless steel paint suction pipe with hose Ø 13 suction M 15x1 and nut FS 3/4" 90°	
110362	Stainless steel paint suction pipe with hose Ø 13 suction M 15x1 and nut FS 36x2	
113629	Stainless steel paint suction pipe with hose Ø 13 suction M 15x1 and nut FS 36x2 90°	

CODE	DESCRIPTION	PRICE
1103412	Stainless steel paint suction pipe with hose Ø 19 suction M 1/2" and nut FS 3/4"	
1134912	Stainless steel paint suction pipe with hose Ø 19 suction M 1/2" and nut FS 3/4" 90°	
1103612	Stainless steel paint suction pipe with hose Ø 19 suction M 1/2" and nut FS 36x2	
1136912	Stainless steel paint suction pipe with hose Ø 19 suction M 1/2" and nut FS 36x2 90° down	
1136912S	Stainless steel paint suction pipe with hose Ø 19 suction M 1/2" and nut FS 36x2 90° up	

STAINLESS STEEL PAINT SUCTION PIPE Ø 19MM HOSE LENGHT 750 MM



STAINLESS STEEL DISPERSION SUCTION PIPE Ø 25MM HOSE LENGHT 750 MM



CODE	DESCRIPTION	PRICE
060001i	Stainless steel dispersion suction pipe with hose Ø 25 and suction M 28x1,5 with nut FS 1"	
060019i	Stainless steel dispersion suction pipe with hose Ø 25 and suction M 28x1,5 with nut FS 1" 90°	
060362i	Stainless steel dispersion suction pipe with hose Ø 25 and suction M 28x1,5 with nut FS 36x2	
063629i	Stainless steel dispersion suction pipe with hose Ø 25 and suction M 28x1,5 with nut FS 36x2 90° down	
063629i	Stainless steel dispersion suction pipe with hose Ø 25 and suction M 28x1,5 with nut FS 36x2 90° up	

CODE	DESCRIPTION	PRICE
011202	Stainless steel return hose high pressure	
011209	Stainless steel return hose high pressure 90°	
011220	Stainless steel tank return hose	
011229	Stainless steel tank return hose 90°	



SUCTION HOSE: STAINLESS STEEL

STAINLESS STEEL DISPERSION SUCTION PIPE KREMLIN TYPE



CODE	DESCRIPTION	PRICE
KN001VSBZ	Paint suction pipe KN M 1/2" - Lenght 900 Hose ø25 - mt.1,5 - F 38x150 Stainless steel	
KN002VSBZ	Paint suction pipe KN M 1/2" - Lenght 500 Hose ø19 - mt.1 - F 26x125 Stainless steel	
KN003VSBZ	Paint suction pipe KN M 1/2" - Lenght 900 Hose ø19 - mt.1 - F 26x125 Stainless steel	
KN004VSBZ	Paint suction pipe KN M 1/2" - Lenght 500 Hose ø19 - mt.1 F 26x195 - 90° Stainless steel	
KN005VSBZ	Paint suction pipe KN M 15x1.5 - Lenght 500 Hose ø13 - mt.1 - F 18x125 - Stainless steel	

STAINLESS STEEL DISPERSION SUCTION SYSTEM Ø 25MM HOSE LENGHT 3000 MM

CODE	DESCRIPTION	PRICE
0450362	Stainless steel dispersion suction system with hose 3000MM Ø 25 with suction pipe 900mm cut 45° for barrells M 28x1,5 and nut FG 36x2	



FITTINGS FOR HIGH PRESSURE HOSE

GALVANIZED FITTING FOR HIGH PRESSURE HOSE



CODE	DESCRIPTION	PRICE
1314160	HP fitting FS 1/4" for hose 3/16"	
1315160	HP fitting FS 16x1,5 for hose 3/16"	
1312160J	HP fitting FS 1/2 Jic for hose 3/16"	
1314140	HP fitting FS 1/4" for hose 1/4"	
1314149	HP fitting FS 1/4" 90° for hose 1/4"	
1315140	HP fitting FS 16x1,5 for hose 1/4"	
1338140	HP fitting FS 3/8" for hose 1/4"	
1338149	HP fitting FS 3/8" 90° for hose 1/4"	
1312140J	HP fitting FS 1/2 Jic for hose 1/4"	
1315380	HP fitting FS 16x1,5 for hose 3/8"	
1338380	HP fitting FS 3/8" for hose 3/8"	
1338389	HP fitting FS 3/8" 90° for hose 3/8"	
1312380	HP fitting FS 1/2" for hose 3/8"	
1312120	HP fitting FS 1/2" for hose 1/2"	
1312129	HP fitting FS 1/2" 90° for hose 1/2"	

GALVANIZED FERRULE FOR HIGH PRESSURE HOSE



CODE	DESCRIPTION	PRICE
1300016	Ferrule for HP hose 3/16" iron	
1300014	Ferrule for HP hose 1/4" iron	
1300038	Ferrule for HP hose 3/8" iron	
1300012	Ferrule for HP hose 1/2" iron	

STAINLESS STEEL FITTING FOR HIGH PRESSURE HOSE



CODE	DESCRIPTION	PRICE
1314160i	Stainless steel HP fitting FS 1/4" for hose 3/16"	
1314140i	Stainless steel HP fitting FS 1/4" for hose 1/4"	
1314149i	Stainless steel HP fitting FS 1/4" 90° for hose 1/4"	
1338380i	Stainless steel HP fitting FS 3/8" for hose 3/8"	
1338389i	Stainless steel HP fitting FS 3/8" 90° for hose 3/8"	

CODE	DESCRIPTION	PRICE
1414160	Recoverable HP fitting FS 1/4" for hose 3/16"	
1415160	Recoverable HP fitting FS 16x1,5 for hose 3/16"	
1414140	Recoverable HP fitting FS 1/4" for hose 1/4"	
1414149	Recoverable HP fitting FS 1/4" 90° for hose 1/4"	
1415140	Recoverable HP fitting FS 16x1,5 for hose 1/4"	
1438140	Recoverable HP fitting FS 3/8" for hose 1/4"	
1438149	Recoverable HP fitting FS 3/8" 90° for hose 1/4"	
1415380	Recoverable HP fitting FS16x1,5 for hose 3/8"	
1438380	Recoverable HP fitting FS 3/8" for hose 3/8"	
1438389	Recoverable HP fitting FS 3/8" 90° for hose 3/8"	

RECOVERABLE FITTING FOR HIGH PRESSURE HOSE



CODE	DESCRIPTION	PRICE
1300016R	Recoverable ferrule for HP hose 3/16" iron	
1300014R	Recoverable ferrule for HP hose 1/4" iron	
1300038R	Recoverable ferrule for HP hose 3/8" iron	
1300012R	Recoverable ferrule for HP hose 1/2" iron	

FITTINGS FOR SUCTION SYSTEM

GALVANIZED NUT AND HOLDER



CODE	DESCRIPTION	PRICE
1912130	Nut and holder F 1/2" for hose 13 mm in iron	
1912139	Nut and holder F 1/2" for hose 13 mm 90° in iron	
1934130	Nut and holder F 3/4" for hose 13 mm in iron	
1934190	Nut and holder F 3/4" for hose 19 mm in iron	
1934139	Nut and holder F 3/4" for hose 13 mm 90° in iron	
1934199	Nut and holder F 3/4" for hose 19 mm 90° in iron	

CODE	DESCRIPTION	PRICE
1901250	Nut and holder F 1" for hose 25 mm in iron	
1901259	Nut and holder 1" for hose 25 mm 90° in iron	
1936130	Nut and holder F 36x2 for hose 13 mm in iron	
1936190	Nut and holder F 36x2 for hose 19 mm in iron	
1936250	Nut and holder F 36x2 for hose 25 mm in iron	
1936139	Nut and holder F 36x2 for hose 13 mm 90° in iron	
1936199	Nut and holder F 36x2 for hose 19 mm 90° in iron	
1936259	Nut and holder F 36x2 for hose 25 mm 90° in iron	
1920130	Nut and holder F 20x2 for hose 13 mm in iron	
1920139	Nut and holder F 20x2 for hose 13 mm 90° in iron	

GALVANIZED NUT AND 90° HOLDER



GALVANIZED FERRULE



CODE	DESCRIPTION	PRICE
1900013	Ferrule for HP hose 13 mm iron	
1900019	Ferrule for HP hose 19 mm iron	
1900025	Ferrule for HP hose 25 mm iron	

CODE	DESCRIPTION	PRICE
1900015	Iron suction pipe 15x1	
1900012	Iron suction pipe 1/2"	
1900028	Iron suction pipe 28x1,5	
1900020	Iron return pipe pipe	
1900945	Iron suction pipe 28x1,5 lenght 900mm with cut 45° for barrells	

GALVANIZED SUCTION PIPE



CODE	DESCRIPTION	PRICE
000100	Stainless steel suction extension 20cm MM 1"	
001425	Stainless steel suction extension 25cm MM 1/4"	
001450	Stainless steel suction extension 50cm MM 1/4"	
001510	Stainless steel suction extension 50cm MM 15x1	
000120	Stainless steel suction extension 50cm MM 1/2"	
028150	Stainless steel suction extension 50cm MM 28x1,5	
000141	Stainless steel coupling FF 1/4"	
000151	Stainless steel coupling FF 15x1	
000012	Stainless steel coupling FF 1/2"	
002815	Stainless steel coupling FF 28x1,5	
365001	Stainless steel reduction F 15x1 M 28x1,5	
365002	Stainless steel reduction F 1/2" M 28x1,5	

FITTINGS FOR SUCTION SYSTEM

S.STEEL NUT AND HOLDER



CODE	DESCRIPTION	PRICE
2912130	Stainless steel holder and nut F 1/2" for hose 13 mm	
2912139	Stainless steel holder and nut 1/2" for hose 13 mm. 90°	
2934130	Stainless steel holder and nut F 3/4" for hose 13 mm	
2934190	Stainless steel holder and nut F 3/4" for hose 19 mm	
2934139	Stainless steel holder and nut F 3/4" for hose 13 mm. 90°	
2934199	Stainless steel holder and nut F 3/4" for hose 19 mm. 90°	
2901250	Stainless steel holder and nut F 1" for hose 25 mm	
2901259	Stainless steel holder and nut F 1" for hose 25 mm. 90°	

S.STEEL NUT AND HOLDER 90°



CODE	DESCRIPTION	PRICE
2936130	Stainless steel holder and nut F 36x2 for hose 13 mm	
2936190	Stainless steel holder and nut F 36x2 for hose 19 mm	
2936250	Stainless steel holder and nut F 36x2 for hose 25 mm	
2936139	Stainless steel holder and nut F 36x2 for hose 13 mm 90°	
2936199	Stainless steel holder and nut F 36x2 for hose 19 mm 90°	
2936259	Stainless steel holder and nut F 36x2 for hose 25 mm 90°	
2920130	Stainless steel holder and nut F 20x2 for hose 13 mm	
2920139	Stainless steel holder and nut F 20x2 for hose 13 mm 90°	

STAINLESS STEEL SUCTION PIPE



CODE	DESCRIPTION	PRICE
2900015	Stainless steel suction pipe 50cm 15x1	
2900012	Stainless steel suction pipe 50cm 1/2"	
2900028	Stainless steel suction pipe 50cm 28x1,5	
2900020	Stainless steel return pipe pipe	

STAINLESS STEEL REUSABLE FITTINGS WITH IRON NUT



CODE	DESCRIPTION	PRICE
1414160i	S. Steel recoverable HP fitting FS 1/4" with iron nut for hose 3/16"	
1414140i	S. Steel recoverable HP fitting FS 1/4" with iron nut for hose 1/4"	
1414149i	S. Steel recoverable HP fitting FS 1/4" 90° with iron nut for hose 1/4"	
1438380i	S. Steel recoverable HP fitting FS 3/8" with iron nut for hose 3/8"	
1438389i	S. Steel recoverable HP fitting FS 3/8" 90° with iron nut for hose 3/8"	
1412120i	S. Steel recoverable HP fitting FS 1/2" with iron nut for hose 1/2"	
1412129i	S. Steel recoverable HP fitting FS 1/2" 90° with iron nut for hose 1/2"	
1434340i	S. Steel recoverable HP fitting FS 3/4" with iron nut for hose 3/4"	
1434349i	S. Steel recoverable HP fitting FS 3/4" 90° with iron nut for hose 3/4"	

CODE	DESCRIPTION	PRICE
1300016R	Recoverable ferrule for HP hose 3/16" iron	
1300014R	Recoverable ferrule for HP hose 1/4" iron	
1300038R	Recoverable ferrule for HP hose 3/8" iron	
1300012R	Recoverable ferrule for HP hose 1/2" iron	

FITTINGS: HIGH PRESSURE

CODE	DESCRIPTION	PRICE
FM61006VSB	Nipple HP 3/4" x 36 x 2 M	
FM61066VSB	Nipple HP 1/2" x 36 x 2 M	
FM61005VSB	Nipple HP 1" x 36 x 2 M	



CODE	DESCRIPTION	PRICE
151818	Nipple HP 1/8" x 1/8"	
151814	Nipple HP 1/8" x 1/4"	
151414	Nipple HP 1/4" x 1/4"	
151441	Nipple HP 1/4" x 1/4" taped	
151415	Nipple HP 1/4" x 16x1,5	
151438	Nipple HP 1/4" x 3/8"	
151412	Nipple HP 1/4" x 1/2"	
151420	Nipple HP 1/4" x 20x2	
151515	Nipple HP 16x1,5 x 16x1,5	
151538	Nipple HP 16x1,5 x 3/8"	
153838	Nipple HP 3/8" x 3/8"	
153812	Nipple HP 3/8" x 1/2"	
153834	Nipple HP 3/8" x 3/4"	
151212	Nipple HP 1/2" x 1/2"	
151234	Nipple HP 1/2" x 3/4"	
153434	Nipple HP 3/4" x 3/4"	
151034	Nipple HP 1" x 3/4"	
151010	Nipple HP 1" x 1"	
1510112	Nipple HP 1" x 1 1/2"	
1510114	Nipple HP 1" x 1 1/4"	
15114114	Nipple HP 1 1/4" x 1 1/4"	
152010	Nipple HP 2" x 1"	
1520112	Nipple HP 2" x 1 1/2"	
161814	Stainless steel nipple HP 1/8" x 1/4"	
161414	Stainless steel nipple HP 1/4" x 1/4"	
161514	Stainless steel nipple HP 1/4" x 16x1,5	
163814	Stainless steel nipple HP 1/4" x 3/8"	
161412	Stainless steel nipple HP 1/4" x 1/2"	
161420	Stainless steel nipple HP 1/4" x 20x2	
161515	Stainless steel nipple HP 16x1,5 x 16x1,5	
161538	Stainless steel nipple HP 16x1,5 x 3/8"	
163838	Stainless steel nipple HP 3/8" x 3/8"	
161238	Stainless steel nipple HP 3/8" x 1/2"	
161212	Stainless steel nipple HP 1/2" x 1/2"	
161234	Stainless steel nipple HP 1/2" x 3/4"	
163434	Stainless steel nipple HP 3/4" x 3/4"	
161034	Stainless steel nipple HP 1" x 3/4"	
161010	Stainless steel nipple HP 1" x 1"	
16112112	Stainless steel nipple HP 1 1/2" x 1 1/2"	

FITTINGS: HIGH PRESSURE

CODE	DESCRIPTION	PRICE
171414	Adapter FS 1/4" x M 1/4"	
171314	Adapter FS 1/2 JIC x M 1/4"	
171415	Adapter FS 1/4" x M 16x1,5	
171438	Adapter FS 1/4" x M 3/8"	
171514	Adapter FS 16x1,5 x M 1/4"	
171515	Adapter FS 16x1,5 x M 16x1,5	
171538	Adapter FS 16x1,5 x M 3/8"	
173814	Adapter FS 3/8" x M 1/4"	
173815	Adapter FS 3/8" x M 16x1,5	
173838	Adapter FS 3/8" x M 3/8"	
171238	Adapter FS 1/2" x M 3/8"	
173438	Adapter FS 3/4" x M 3/8"	
171212	Adapter FS 1/2" x M 1/2"	
173412	Adapter FS 3/4" x M 1/2"	
173434	Adapter FS 3/4" x M 3/4"	
171010	Adapter FS 1" x M 1"	



CODE	DESCRIPTION	PRICE
181414	Stainless steel adapter FS 1/4" x M 1/4"	
181438	Stainless steel adapter FS 1/4" x M 3/8"	
183814	Stainless steel adapter FS 3/8" x M 1/4"	
183838	Stainless steel adapter FS 3/8" x M 3/8"	



CODE	DESCRIPTION	PRICE
171490	Adapter FS 1/4" x M 1/4" 90°	
171499	Adapter FS 1/4" x FG 1/4" 90°	
173890	Adapter FS 3/8" x M 3/8" 90°	
171290	Adapter FS 1/2" x M 1/2" 90°	
173490	Adapter FS 3/4" x M 3/4" 90°	
171090	Adapter FS 1" x M 1" 90°	

CODE	DESCRIPTION	PRICE
171490i	Stainless steel adapter FS 1/4" x M 1/4" 90°	
173890i	Stainless steel adapter FS 3/8" x M 3/8" 90°	

CODE	DESCRIPTION	PRICE
155018	Copper washer 1/8"	
155014	Copper washer 1/4"	
155038	Copper washer 3/8"	
155012	Copper washer 1/2"	
155034	Copper washer 3/4"	
155040	Copper washer 1"	



FITTINGS: HIGH PRESSURE

CODE	DESCRIPTION	PRICE
50144	Sleeve HP FF 1/4"	
50388	Sleeve HP FF 3/8"	
50122	Sleeve HP FF 1/2"	
50344	Sleeve HP FF 3/4"	
50111	Sleeve HP FF 1"	



CODE	DESCRIPTION	PRICE
20144	L-fitting HP FF 1/4"	
20145	L-fitting HP MM 1/4"	
20388	L-fitting HP FF 3/8"	
20389	L-fitting HP MM 3/8"	
20122	L-fitting HP FF 1/2"	
20344	L-fitting HP FF 3/4"	

CODE	DESCRIPTION	PRICE
40144	T-fitting HP FF 1/4"	
40388	T-fitting HP FF 3/8"	
40122	T-fitting HP FF 1/2"	
40344	T-fitting HP FF 3/4"	
40111	T-fitting HP FF 1"	



CODE	DESCRIPTION	PRICE
301418	Reduction HP M 1/4" F 1/8"	
303814	Reduction HP M 3/8" F 1/4"	
301238	Reduction HP M 1/2" F 3/8"	
303412	Reduction HP M 3/4" F 1/2"	
301034	Reduction HP M 1" F 3/4"	
3011210	Reduction HP M 1 1/2" F 1"	

FITTINGS: LOW PRESSURE



CODE	DESCRIPTION	PRICE
181400	Stainless steel cap M 1/4"	
183800	Stainless steel cap M 3/8"	
60188	Aluminium cap M 1/8"	
60144	Aluminium cap M 1/4"	
60388	Aluminium cap M 3/8"	
60122	Aluminium cap M 1/2"	

CODE	DESCRIPTION	PRICE
46050	Taped nipple 1/8" x 1/8"	
46150	Taped nipple 1/8" x 1/4"	
46100	Taped nipple 1/4" x 1/4"	
46200	Taped nipple 1/4" x 3/8"	
46250	Taped nipple 1/4" x 1/2"	
46300	Taped nipple 3/8" x 3/8"	
46400	Taped nipple 3/8" x 1/2"	
46500	Taped nipple 1/2" x 1/2"	

TAPED NIPPLE

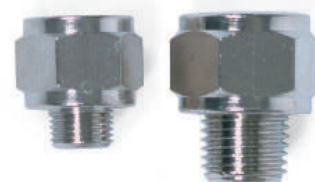


REDUCTION



CODE	DESCRIPTION	PRICE
47100	Reduction F 1/8" x M 1/4"	
47200	Reduction F 1/4" x M 3/8"	
47300	Reduction F 1/4" x M 1/2"	
47400	Reduction F 3/8" x M 1/2"	

EXTENDED REDUCTION



CODE	DESCRIPTION	PRICE
48150	Extended reduction F 1/4" x M 1/8"	
48200	Extended reduction F 3/8" x M 1/4"	
48300	Extended reduction F 1/2" x M 1/4"	
48550	Extended reduction F 1/2" x M 3/8"	

SLEEVE



CODE	DESCRIPTION	PRICE
49200	Sleeve 1/4"	
49300	Sleeve 3/8"	
49400	Sleeve 1/2"	

FITTINGS: LOW PRESSURE

L-FITTING



CODE	DESCRIPTION	PRICE
50500	L-fitting FF 1/4"	
50400	L-fitting FM 1/4"	
50570	L-fitting MM 1/4"	
50550	L-fitting FF 3/8"	
50450	L-fitting FM 3/8"	
50470	L-fitting MM 3/8"	
50560	L-fitting FF 1/2"	
50460	L-fitting FM 1/2"	
50360	L-fitting MM 1/2"	

Y-FITTING

CODE	DESCRIPTION	PRICE
50200	Y-fitting FFF 1/4"	
50100	Y-fitting FMF 1/4"	
50250	Y-fitting FFF 3/8"	
50150	Y-fitting FMF 3/8"	



T-FITTING



CODE	DESCRIPTION	PRICE
50800	T-fitting FFF 1/4"	
50850	T-fitting FFF 3/8"	
50860	T-fitting FFF 1/2"	
50600	T-fitting MFF 1/4"	
50650	T-fitting MFF 3/8"	
50660	T-fitting MFF 1/2"	

MILLED NUT FITTING

CODE	DESCRIPTION	PRICE
40180	Milled nut fitting M 1/4"	
40182	Milled nut fitting M 3/8"	
40190	Milled nut fitting F 1/4"	
40192	Milled nut fitting F 3/8"	
41060	Milled nut F 1/4"	



CODE	DESCRIPTION	PRICE
21507	LP extension 50mm for pressure gauge FM 1/4"	



FITTINGS: LOW PRESSURE



CODE	DESCRIPTION	PRICE
41190	Hose fitting with F quick connection for hose 6x14	
41200	Hose fitting with F quick connection for hose 8x17	



CODE	DESCRIPTION	PRICE
40050	Hose fitting with M quick connection for hose 6x14	
40060	Hose fitting with M quick connection for hose 8x17	



CODE	DESCRIPTION	PRICE
40010	Hose fitting with bayonet connection for hose 6x14	
40014	Hose fitting with bayonet connection for hose 8x17	



CODE	DESCRIPTION	PRICE
40020	Hose fitting with F 1/4" connection for hose 6x14	
40021	Hose fitting with F 1/4" connection for hose 8x17	

CODE	DESCRIPTION	PRICE
40100	Quick connection F 1/4"	
40070	Quick connection M 1/4"	
40130	Quick connection bayonet	



CODE	DESCRIPTION	PRICE
41150	Quick connection fitting F 1/4"	
4115038	Quick connection fitting F 3/8"	



CODE	DESCRIPTION	PRICE
41100	Quick connection fitting M 1/4"	
4110028	Quick connection fitting M 3/8"	

CODE	DESCRIPTION	PRICE
FC14651	Fitting for oversized hose 6,5x10mm F 1/4" BSP	
FC38811	Fitting for oversized hose 8X11mm F 3/8" BSP	



SILENCER



CODE	DESCRIPTION	PRICE
110200	Sintered bronze silencer M 1/4"	
110201	Plastic silencer M 1/4"	
110202	Plastic silencer M 3/8"	
110203	Plastic silencer M 1/2"	

FITTINGS: LOW PRESSURE



CODE	DESCRIPTION	PRICE
41445	Fitting with M quick connection for hose 6x8	
41440	Fitting with F quick connection for hose 6x8	
41425	Fitting with bayonet connection for hose 6x8	
41470	Fitting with F 1/4" connection for hose 6x8	
41482	Barb fitting F 1/4" for hose 6x8	

PUSH-ON FITTING

CODE	DESCRIPTION	PRICE
128614	Push-on fitting for hose 6x8 M 1/4"	
129814	Push-on fitting for hose 6x8 M 1/4" 90°	

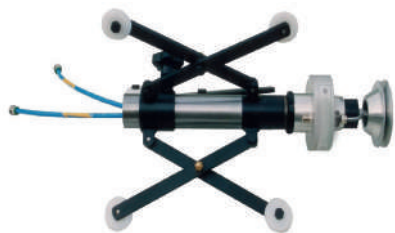


AUTOMATIC FITTING



CODE	DESCRIPTION	Ø HOSE	FITTING	PRICE
110418	Automatic fitting	2x4	M 1/8"	
119418	Automatic fitting 90°	2x4	M 1/8"	
112424	Automatic fitting	2x4	FF ø4	
110414	Automatic fitting	2x4	M 1/4"	
119414	Automatic fitting 90°	2x4	M 1/4"	
114646	Automatic fitting	4x6	FF ø6	
110618	Automatic fitting	4x6	M 1/8"	
119618	Automatic fitting 90°	4x6	M 1/8"	
110614	Automatic fitting	4x6	M 1/4"	
F110614	Automatic fitting	4x6	F 1/4"	
119614	Automatic fitting 90°	4x6	M 1/4"	
116868	Automatic fitting	6x8	FF ø8	
110818	Automatic fitting	6x8	M 1/8"	
119818	Automatic fitting 90°	6x8	M 1/8"	
110814	Automatic fitting	6x8	M 1/4"	
F110814	Automatic fitting	6x8	F 1/4"	
119814	Automatic fitting 90°	6x8	M 1/4"	
119838	Automatic fitting 90°	6x8	M 3/8"	
110138	Automatic fitting	8x10	M 3/8"	
119138	Automatic fitting 90°	8x10	M 3/8"	
110112	Automatic fitting	8x10	M 1/2"	
119112	Automatic fitting 90°	8x10	M 1/2"	
111238	Automatic fitting	10x12	M 3/8"	
111212	Automatic fitting	10x12	M 1/2"	

TURBINES FOR PIPE PAINTING



CODE	DESCRIPTION	PRICE
450970	RPC-125 system for internal painting of pipes from ϕ 65 mm to ϕ 340 mm	
450980	RPC-300 system for internal painting of pipes from ϕ 250 mm to ϕ 800 mm	

CODE	DESCRIPTION	PRICE
A7304001	Pipecoater IV system for internal painting of pipes with 1.07mm nozzle without carriage	
A7304005	Centering carriage for Pipe Coater IV for pipe with diameter from ϕ 76 mm to ϕ 125mm	
A7304006	Centering carriage for Pipe Coater IV for pipe with diameter from ϕ 125 mm to ϕ 300mm	



CODE	DESCRIPTION	PRICE
A7301001	Pipecoater III system for internal painting of pipes from ϕ 76 mm to ϕ 125 mm	
A7302000	Pipecoater III system for internal painting of pipes from ϕ 125 mm to ϕ 300 mm	

CODE	DESCRIPTION	PRICE
A7303000	Pipecoater III system for the internal painting of pipes from ϕ 300 mm to ϕ 900 mm	



CODE	DESCRIPTION	PRICE
A7100200	Pipecoater II system for internal painting of pipes from ϕ 180 mm to ϕ 950 mm control hose 5 m	
A7100800	Pipecoater II system for internal painting of pipes from ϕ 180 mm to ϕ 950 mm, control hose 15 m	

CODE	DESCRIPTION	PRICE
4509TF1	Articulated system for internal painting of tubes complete with rose nozzle for airless sprayers F 11/16 "	
4509TF2	Articulated system for internal painting of tubes complete with rose nozzle for airless sprayers F 7/8 "	



CONE NOZZLES AVAILABLE IN VARIOUS SIZES ON PAGE 82



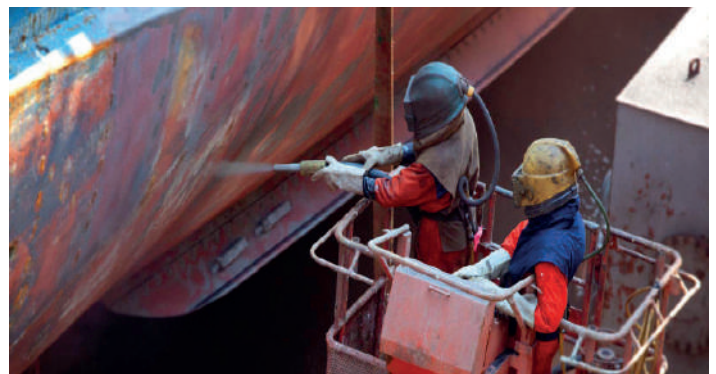
MINI SANDBLASTING
MACHINES OF OUR
PRODUCTION IN LOW
PRESSURE WITH REDUCED
AIR CONSUMPTION

INDUSTRIAL HIGH PRESSURE
SANDBLASTING MACHINES
WITH 18 TO 200 LITERS OF
CAPACITY



SANDBLASTING MASKS,
COMPRESSORS FOR
SANDBLASTERS FEED AND
ACCESSORIES

SANDBLASTING NOZZLES,
GALVANIZED FITTINGS AND
SPARE PARTS FOR ALL TYPES
OF SANDBLASTERS



HUMIDIFIER KIT FOR
SANDBLASTING AND KIT FOR
HYDRO SANDBLASTING

MINI SANDBLASTERS

LOW AIR CONSUMPTION MINI SANDBLASTERS WITH ABRASIVE ADJUSTMENT VALVE AND PRECISION PRESSURE GAUGE, WITH AUTOMATIC DEPRESSURIZATION WHEN THE TRIGGER IS RELEASED: SUITABLE FOR THE STONE, METAL, WOOD, NAUTICAL AND GLASS SECTORS.



CODE	070113VS	070127VS
MAX PRESSURE	7 bar	7 bar
AIR CONSUMPTION	380 lt/min	380 lt/min
CAPACITY	10 lt	27 lt
WEIGHT	18 kg	38 kg

CODE	DESCRIPTION	PRICE
070113VSC	VS 13 mini sandblaster complete with RC4 mask, nozzle and 10 glasses for RC4	
070127VSC	VS 27 mini sandblaster complete with RC4 mask, nozzle and 10 glasses for RC4	

COMPRESSOR REQUIREMENTS POWER SUPPLY: 3CV FROM 380 TO 660 LT / MIN

STONE	Graffiti cleaning, facades and monuments restoration, decorations and soil cleaning IDEAL IN HISTORICAL CENTERS THANKS LOW DUST IMPACT
WOOD	Window pickling, furniture restoration and painted details
METAL	Oxide cleaning, paint pickling, surface treatment, parts and industrial machinery, bodywork and restoration of vintage vehicles
GLASS	Decoration
NAUTICAL	Gel Coat satin finish, anti-vegetative restoration



GRAFFITI CLEANING AND STONE BLASTING



ANTI-VEGETATIVE RESTORATION



WINDOWS AND FURNITURE RESTORATION



BODYWORK FOR VINTAGE PIECES

MINI SANBLASTER ACCESSORIES



CODE	DESCRIPTION	PRICE
300900B	White light crust sandblasting gloves	
MINSE1	Wooden sieve for abrasives with galvanized mesh	

GLOVES AND SIEVE ARE SUPPLIED WITH THE MACHINE AT THE TIME OF PURCHASE

CODE	DESCRIPTION	PRICE
LASGC	Reinforced stainless steel extension F 1/4" round fan 360 °	
LASCP	Reinforced stainless steel extension F 1/4" full round	



CODE	DESCRIPTION	PRICE
300010	Blasting mask RC 4 (without filter)	
300010V	Aired blasting mask RC 4 (without filter)	
300081	Aerosol filter for RC 4	
300086	Glass screen 100x140	

CODE	DESCRIPTION	PRICE
522425	Cylindrical nozzle ø 2,5mm	
520243	Cylindrical nozzle ø 3mm	
520244	Cylindrical nozzle ø 3,5mm	
520245	Cylindrical nozzle ø 4mm	
520246	Cylindrical nozzle ø 4,5mm	
520247	Cylindrical nozzle ø5mm	



CODE	DESCRIPTION	PRICE
0700010	Garnet bag 25 kg 0,2/96mm 30/60M	
GA0030	Fine quartz 01-05 bag 25 kg	
GA0031	Medium quartz 03-09 bag 25 kg	
GA0033	Humidifier kit	

CODE	DESCRIPTION	PRICE
ZENTRON0023	Zentron kit for sandblasting with grit recovery	



COMPRESSORS



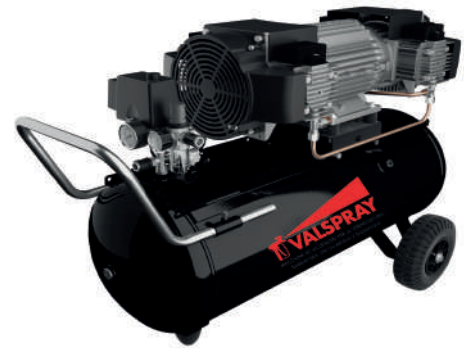
AIR COMPRESSOR WITH GASOLINE POWERED ENGINE

SUITABLE TO POWER MINI SANDBLASTERS

CODE	AIR FLOW	MOTOR	PRESSURE	PRICE
VSAG750	750 lt/min	9 HP	10 bar	
VSAG900	1000 lt/min	9 HP	10 bar	

MEMBRANE AIR COMPRESSOR

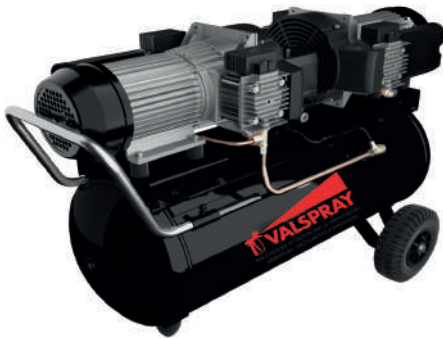
CODE	AIR FLOW	MOTOR	PRESSURE	PRICE
VSBCOMPGE01	AIR TANK 100 LT 670 lt/min	2,2 HP x2 380 v	10 bar	



MEMBRANE AIR COMPRESSOR

SUITABLE TO POWER MINI SANDBLASTERS

CODE	AIR FLOW	MOTOR	PRESSURE	PRICE
VSBCOMPGE02	AIR TANK 100 LT 670 lt/min	2,2 HP x2 230 v	10 bar	



MEMBRANE AIR COMPRESSOR

CODE	AIR FLOW	MOTOR	PRESSURE	PRICE
VSBCOMPGE03	AIR TANK 24 LT 330 lt/min	1,7 HP 230 v	10 bar	



COMPRESSORS



BELT DRIVEN AIR COMPRESSOR

CODE	AIR FLOW	MOTOR	PRESSURE	PRICE
AB20D-24	AIR TANK 24 LT 182 lt/min	2 cv 230 v	8 bar	

BELT DRIVEN AIR COMPRESSOR

CODE	AIR FLOW	MOTOR	PRESSURE	PRICE
AB30C-50M	AIR TANK 50 LT 440 lt/min	3 cv 230 v	10 bar	



BELT DRIVEN AIR COMPRESSOR

SUITABLE TO POWER MINI SANDBLASTERS

CODE	AIR FLOW	MOTOR	PRESSURE	PRICE
AB30C-90M	AIR TANK 100 LT 440 lt/min	3 cv 230 v	10 bar	

BELT DRIVEN AIR COMPRESSOR

SUITABLE TO POWER MINI SANDBLASTERS

CODE	AIR FLOW	MOTOR	PRESSURE	PRICE
SLNCVS55	AIR TANK 270 LT 727 lt/min	5,5 cv 230 v	11 bar	
SLNCVS75	AIR TANK 270 LT 827 lt/min	7,5 cv 230 v	11 bar	



SANDBLASTER WITHOUT EQUIPMENT

AIRBLAST SANDBLASTERS UNLIKE NORMAL SANDBLASTERS ARE ALL EQUIPPED WITH A RUBBER LOCKING VALVE TO LIMIT ABRASION AND WITH AN ABRASIVE NEEDLE ADJUSTMENT VALVE TO ENSURE GREATER SENSITIVITY IN MIXING THE ABRASIVE WITH AIR

MANUAL CONTROL

CODE	CAPACITY	PRESSURE	PRICE
1019-VS18M	18 LT	12 bar	

PNEUMATIC REMOTE CONTROL

CODE	CAPACITY	PRESSURE	PRICE
1019-VS18	18 LT	12 bar	



MANUAL CONTROL

CODE	CAPACITY	PRESSURE	PRICE
1019-VS100M	100 LT	12 bar	
1019-VS50M	50 LT	12 bar	



PNEUMATIC REMOTE CONTROL

CODE	CAPACITY	PRESSURE	PRICE
1019-VS100	100 LT	12 bar	
1019-VS50	50 LT	12 bar	

MANUAL CONTROL

CODE	CAPACITY	PRESSURE	PRICE
1019-VS200M	200 LT	12 bar	

PNEUMATIC REMOTE CONTROL

CODE	CAPACITY	PRESSURE	PRICE
1019-VS200	200 LT	12 bar	



SANDBLASTER WITH EQUIPMENT

THE KIT INCLUDES:

- FOR THE 18LT MODEL: 5MT OF ABRASIVE TUBE WITH 4X40 FITTINGS AND NOZZLE, CONTROL AIR TUBE AND MASK AIR TUBE (ONLY FOR MODELS WITH PNEUMATIC CONTROL).
- FOR THE 100 / 200LT MODEL: 20M OF ABRASIVE HOSE WITH FITTINGS AND 7X75 NOZZLE, AIR CONTROL HOSE AND MASK AIR HOSE (ONLY FOR MODELS WITH PNEUMATIC CONTROL).

MANUAL CONTROL

COMPLETE WITH EQUIPMENT

CODE	CAPACITY	PRESSURE	PRICE
1019-VS18KM	18 LT	12 bar	

PNEUMATIC REMOTE CONTROL

COMPLETE WITH EQUIPMENT

CODE	CAPACITY	PRESSURE	PRICE
1019-VS18K	18 LT	12 bar	



MANUAL CONTROL

COMPLETE WITH EQUIPMENT

CODE	CAPACITY	PRESSURE	PRICE
1019-VS100KM	100 LT	12 bar	
1019-VS50KM	50 LT	12 bar	



PNEUMATIC REMOTE CONTROL

COMPLETE WITH EQUIPMENT

CODE	CAPACITY	PRESSURE	PRICE
1019-VS100K	100 LT	12 bar	
1019-VS50K	50 LT	12 bar	

MANUAL CONTROL

COMPLETE WITH EQUIPMENT

CODE	CAPACITY	PRESSURE	PRICE
1019-VS200KM	200 LT	12 bar	

PNEUMATIC REMOTE CONTROL

COMPLETE WITH EQUIPMENT

CODE	CAPACITY	PRESSURE	PRICE
1019-VS200K	200 LT	12 bar	



SANDBLASTING CABINS



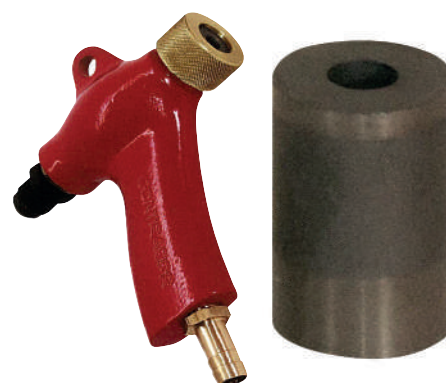
THE ECO SERIES CABINS WITH SAND EXTRACTION SYSTEM ARE EQUIPPED WITH A FILTER FOR DUST REDUCTION AND MANUAL FILTER CLEANING RECOVERY.

CAB CABS WITH PRESSURE SAND DELIVERY WITH RUBBERIZED CABIN INTERIORS

TECHNICAL DATA	ECO-80S	ECO-100S	ECO-120S	ECO-140S	CAB-110PD	CAB-135PD
Cabin dim. LxWxH mm	750x520x660	950x720x760	1150x920x860	1350x1120x960	950x720x760	1150x920x860
Total dim. LxWxH mm	950x680x1660	1150x880x1760	1350x1080x1860	1550x1280x1960	Side door dimension: 350x350	Side door dimension: 350x350
Collector dim. LxWxH mm	600x600x1550	600x600x1550	600x600x1550	600x600x1550		
Type of dust collector	DC-390	DC-390	DC-390	DC-390		
Filtering area m ²	8	8	8	8	-	-
Electricity required kW	0,5 kW, 380V~	0,5 kW, 380V~	0,5 kW, 380V~	0,5 kW, 380V~	0,5 kW, 380V~	0,5 kW, 380V~

CODE	MODEL	DESCRIPTION	PRICE
17101	ECO-80S	Blasting cabinet	
17102	ECO-100S	Blasting cabinet	
17103	ECO-120S	Blasting cabinet	
17104	ECO-140S	Blasting cabinet	
15209	CAB-110PD	Pressurized blasting cabinet	
15210	CAB-135PD	Pressurized blasting cabinet	

CODE	DESCRIPTION	PRICE
CO15300GX	Sandblaster gun GX	
CO15502GX	Tungsten nozzle Ø 6	
CO15508GX	Tungsten nozzle Ø 8	
CO15509GX	Tungsten nozzle Ø 9	



TURBINES FOR PIPE BLASTING

TUBOBLAST



CODE	DESCRIPTION	PRICE
600-100	Tuboblast turbine complete with centering carriage and kit for pipes from \varnothing 54 mm to \varnothing 340 mm	
600-101	Tuboblast turbine without centering carriage	

TUBOBLAST SENIOR

CODE	DESCRIPTION	PRICE
600-153	Tuboblast Senior turbine complete with centering carriage and kit for pipes from \varnothing 80 mm to \varnothing 500 mm	
600-150	Tuboblast Senior turbine without centering carriage	



ROTOBLAST



CODE	DESCRIPTION	PRICE
600-200	Rotoblast turbine complete with two nozzles and centering carriage for pipes from \varnothing 360 mm to \varnothing 800 mm	

CIRCLEBLAST

CODE	DESCRIPTION	PRICE
A3002100	Circle blast CB-0 sandblasting system for pipes from \varnothing 32 mm to \varnothing 76 mm	
A3002200	Circle blast CB-1 sandblasting system with guide for pipes from \varnothing 76 mm to \varnothing 127 mm	
A3002300	Circle blast CB-2 sandblasting system with centering carriage for pipes from \varnothing 127 mm to \varnothing 305 mm	



SPINNERBLAST



CODE	DESCRIPTION	PRICE
A3030000	Spinner blast sandblasting system for pipes from \varnothing 203 mm to \varnothing 915 mm (nozzles excluded)	
ASBXX	Nozzle for spinnerblast	

JUMBO BLASTER

CODE	DESCRIPTION	PRICE
A3400000	Jumbo sandblasting system for pipes from \varnothing 890 mm to \varnothing 1600 mm (nozzles excluded)	
ATSDXX	Nozzle for Jumbo	



BLAST NOZZLES



CODE	DESCRIPTION	PRICE
450200	Threaded OX nozzle in tungsten carbide Ø 6,5 x 145	
450201	Threaded OX nozzle in tungsten carbide Ø 8 x 150	
450202	Threaded OX nozzle in tungsten carbide Ø 9,5 x 175	
450203	Threaded OX nozzle in tungsten carbide Ø 11 x 195	
450204	Threaded OX nozzle in tungsten carbide Ø12,7 x 220	

CODE	DESCRIPTION	PRICE
450302	Threaded OX MAXI nozzle in boron carbide Ø 6,5 x 140	
450303	Threaded OX MAXI nozzle in boron carbide Ø 8 x 145	
450304	Threaded OX MAXI nozzle in boron carbide Ø 9,5 x 170	
450305	Threaded OX MAXI nozzle in boron carbide Ø 11 x 195	
450306	Threaded OX MAXI nozzle in boron carbide Ø 12,7 x 215	



CODE	DESCRIPTION	PRICE
450402	Threaded OX MAXI nozzle in silicon carbide Ø 6,5 x 140	
450403	Threaded OX MAXI nozzle in silicon carbide Ø 8 x 145	
450404	Threaded OX MAXI nozzle in silicon carbide Ø 9,5 x 170	
450405	Threaded OX MAXI nozzle in silicon carbide Ø 11 x 195	
450406	Threaded OX MAXI nozzle in silicon carbide Ø 12,7 x 215	



CODE	DESCRIPTION	PRICE
455200	Threaded PERFORMANCE nozzle in tungsten carbide Ø 6,5 x 130	
455201	Threaded PERFORMANCE nozzle in tungsten carbide Ø 8 x 150	
455202	Threaded PERFORMANCE nozzle in tungsten carbide Ø 9,5 x 170	
455203	Threaded PERFORMANCE nozzle in tungsten carbide Ø 11,5 x 200	
455204	Threaded PERFORMANCE nozzle in tungsten carbide Ø12,5 x 210	



CODE	DESCRIPTION	PRICE
450302	Threaded PERFORMANCE nozzle in boron carbide Ø 6,5 x 130	
450303	Threaded PERFORMANCE nozzle in boron carbide Ø 8 x 150	
450304	Threaded PERFORMANCE nozzle in boron carbide Ø 9,5 x 170	
450305	Threaded PERFORMANCE nozzle in boron carbide Ø 11 x 200	
450306	Threaded PERFORMANCE nozzle in boron carbide Ø 12,5 x 210	



CODE	DESCRIPTION	PRICE
450402	Threaded PERFORMANCE nozzle in silicon carbide Ø 6,5 x 130	
450403	Threaded PERFORMANCE nozzle in silicon carbide Ø 8 x 150	
450404	Threaded PERFORMANCE nozzle in silicon carbide Ø 9,5 x 170	
450405	Threaded PERFORMANCE nozzle in silicon carbide Ø 11 x 200	
450406	Threaded PERFORMANCE nozzle in silicon carbide Ø 12,5 x 210	



BLAST NOZZLES



CODE	DESCRIPTION	PRICE
450100	Cylindrical nozzle Ø 4 x 40	
450101	Cylindrical nozzle Ø 5 x 40	
450102	Cylindrical nozzle Ø 6 x 40	
450130	Cylindrical nozzle Ø 7 x 40	
450140	Cylindrical nozzle Ø 8 x 40	
450150	Cylindrical nozzle Ø 10 x 40	
450112	Cylindrical flanged nozzle Ø 4 x 40	
450113	Cylindrical flanged nozzle Ø 5 x 40	
450114	Cylindrical flanged nozzle Ø 6 x 40	
450115	Cylindrical flanged nozzle Ø 7 x 40	
450116	Cylindrical flanged nozzle Ø 8 x 40	
450117	Cylindrical flanged nozzle Ø 10 x 40	

CODE

DESCRIPTION

PRICE

450153

Flanged venturi nozzle Ø 5 x 75

450103

Flanged venturi nozzle Ø 6 x 75

450104

Flanged venturi nozzle Ø 7 x 75

450105

Flanged venturi nozzle Ø 8 x 75

450106

Flanged venturi nozzle Ø 10 x 75



CODE

DESCRIPTION

PRICE

450502

Angular 40 ° OX nozzle in tungsten carbide threaded Ø 6

450503

Angular 40 ° OX nozzle in tungsten carbide threaded Ø 8

450504

Angular 40 ° OX nozzle in tungsten carbide threaded Ø 10

450505

Angular 40 ° OX nozzle in tungsten carbide threaded Ø 12

CODE

DESCRIPTION

PRICE

450602

Three holes OX nozzle in tungsten carbide threaded Ø 3 x 80

450603

Three holes OX nozzle in tungsten carbide threaded Ø 5 x 80

450604

Three holes OX nozzle in tungsten carbide threaded Ø 6,5 x 80

450605

Three holes OX nozzle in tungsten carbide threaded Ø 8 x 80

450606

Three holes OX nozzle in tungsten carbide threaded Ø 9,5 x 80



CODE

DESCRIPTION

PRICE

450702

Mini circular nozzle for internal sandblasting of pipes from 35 to 70 mm. with inlet for abrasive tube 13x23 mm.



CODE

DESCRIPTION

PRICE

CONT12520

Round nozzle 200 mm long Ø 20 mm

CONT12529

Deflector head 360°

CONT12510

Round blasting nozzle

CONT12519

Deflector head 360°

BLASTING ACCESSORIES



CODE	DESCRIPTION	PRICE
410109	OX threaded aluminum nozzle holder for hose Ø 40	
410111	OX threaded aluminum nozzle holder for hose Ø 48	
410122	OX threaded PVC nozzle holder for hose Ø 40	
410123	OX threaded PVC nozzle holder for hose Ø 48	

CODE	DESCRIPTION	PRICE
410115	Nozzle ring nut F 1" for hose øe 25	
410117	Nozzle ring nut ø31 F 1 1/2" for hose øe 33-40-45-48	
410105	Nozzle holder threaded M 1" for hose øe 25	
410119	Nozzle holder threaded M 1 1/2" for hose øe 33	
410106	Nozzle holder threaded M 1 1/2" for hose øe 40	
410107	Nozzle holder threaded M 1 1/2" for hose øe 45	
410108	Nozzle holder threaded M 1 1/2" for hose øe 48	



CODE	DESCRIPTION	PRICE
410131	Sleeve for abrasive hose Ø 40	
410132	Sleeve for abrasive hose Ø 40 x 48	
410133	Sleeve for abrasive hose Ø 48	

CODE	DESCRIPTION	PRICE
200251	Rapid metal hose connector for hose Ø 40	
200253	Rapid metal hose connector for hose Ø 48	
200255	Rapid PVC hose connector for hose Ø 40	
200257	Rapid PVC hose connector for hose Ø 48	



CODE	DESCRIPTION	PRICE
200827	Rapid fitting F 1 1/4"	
200828	Rapid fitting F 1 1/2"	

CODE	DESCRIPTION	PRICE
400106	Express hose connector for hose Ø 6	
400105	Express hose connector for hose Ø 10	
400001	Express hose connector for hose Ø 13	
400002	Express hose connector for hose Ø 15	
400003	Express hose connector for hose Ø 19	
400034	Express hose connector for hose Ø 25	
400035	Express hose connector for hose Ø 32	
GRI400105	Express hose connector for hose Ø 13 with clamps	
GRI400106	Express hose connector for hose Ø 25 with clamps	

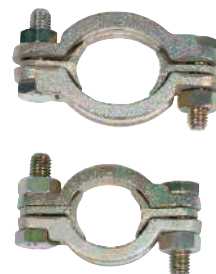


FITTINGS FOR BLASTING



CODE	DESCRIPTION	PRICE
400012	Brass hose connector for hose \varnothing 20 M 3/4"	
400012A	Brass hose connector for hose \varnothing 25 M 3/4"	
400013B	Brass hose connector for hose \varnothing 20 M 1"	
400013	Brass hose connector for hose \varnothing 25 M 1"	
400013A	Brass hose connector for hose \varnothing 30 M 1"	

CODE	DESCRIPTION	PRICE
400036	Hose clamp collar \varnothing 22 / 29	
400007	Hose clamp collar \varnothing 29 / 34	
400008	Hose clamp collar \varnothing 33 / 40	
400009	Hose clamp collar \varnothing 41 / 49	
400010	Hose clamp collar \varnothing 47 / 60	
400011	Hose clamp collar \varnothing 60 / 76	
400112	Hose clamp collar \varnothing 76 / 94	
400113	Hose clamp collar \varnothing 95 / 115	
GRI400125	Hose clamp collar with clamps \varnothing 25	
GRI400114	Hose clamp collar with clamps \varnothing 40	
GRI400151	Hose clamp collar with clamps \varnothing 51	



CODE	DESCRIPTION	PRICE
400029	Rapid seal	
400030	Double rapid seal	
400026	Express seal	



CODE	DESCRIPTION	PRICE
400038	Express fitting F 1/4"	
400021	Express fitting F 3/8"	
400022	Express fitting F 1/2"	
400023	Express fitting F 3/4"	
400024	Express fitting F 1"	
400025	Express fitting F 1 1/4"	
400037	Express fitting M 1/4"	
400016	Express fitting M 3/8"	
400017	Express fitting M 1/2"	
400018	Express fitting M 3/4"	
400019	Express fitting M 1"	
400020	Express fitting M 1 1/4"	



BLASTING ACCESSORIES



CODE	DESCRIPTION	PRICE
401026	Y-fitting FFF 3/4"	
401027	Y-fitting FFF 1"	
401028	Y-fitting FFF 1 1/4"	
401029	Y-fitting FFF 1 1/2"	

CODE	DESCRIPTION	PRICE
401032	Rubberized Y-fitting FFF 1 1/4"	
401034	Rubberized nipple M 1 1/4 x M 1 1/4"	
401035	Rubberized extension M 1 1/4 x M 1 1/4"	



CODE	DESCRIPTION	PRICE
402004	Air inlet humidity separator filter 1"	
402004C	Catridge for air humidity filter 1"	
402005	Air inlet humidity separator filter 1 1/2"	
402005C	Catridge for air humidity filter 1 1/2"	
AF50001	Air inlet humidity separator filter YAF 5000 F 1"	

CODE	DESCRIPTION	PRICE
300072	Air filter with activated carbon mask CFR-20/2 for 2 operators	
300074	Air filter with activated carbon mask CFR-20/4 for 4 operators	
300076	Air filter with activated carbon mask CFR-20/6 for 6 operators	
30070	Catridge with activated carbon for CFR-20	



CODE	DESCRIPTION	PRICE
SPV00VS3V	Air inlet filter for up to 2 operators	

CODE	DESCRIPTION	PRICE
110271	Sandblaster silencer	



FITTINGS FOR BLASTING

159



CODE	DESCRIPTION	PRICE
Z34134	Pipe union MF 3/4"	
Z3411	Pipe union MF 1"	
Z341114	Pipe union MF 1 1/4"	
Z341112	Pipe union MF 1 1/2"	

CODE	DESCRIPTION	PRICE
Z09034	Elbow 90° FF 3/4"	
Z0901	Elbow 90° FF 1"	
Z090114	Elbow 90° FF 1 1/4"	
Z090112	Elbow 90° FF 1 1/2"	
Z09234	Elbow 90° MF 3/4"	
Z0921	Elbow 90° MF 1"	
Z092114	Elbow 90° MF 1 1/4"	
Z092112	Elbow 90° MF 1 1/2"	
Z12034	Elbow 45° FF 3/4"	
Z1201	Elbow 45° FF 1"	
Z120114	Elbow 45° FF 1 1/4"	
Z120112	Elbow 45° FF 1 1/2"	

ELBOW 90°



ELBOW 45°



LONG ELBOW 45°



CODE	DESCRIPTION	PRICE
Z04034	Long elbow 45° MF 3/4"	
Z0401	Long elbow 45° MF 1"	
Z040114	Long elbow 45° MF 1 1/4"	
Z040112	Long elbow 45° MF 1 1/2"	

CODE	DESCRIPTION	PRICE
Z13034	Ti-fitting FFF 3/4"	
Z1301	Ti-fitting FFF 1"	
Z130114	Ti-fitting FFF 1 1/4"	
Z130112	Ti-fitting FFF 1 1/2"	
Z22312	Three way fitting FFFF 1/2"	
Z22334	Three way fitting FFFF 3/4"	
Z2231	Three way fitting FFFF 1"	
Z2231FT	Three way fitting FFFF 1 1/4"	
Z2231FTE	Three way fitting FFFF 1 1/2"	

TI



THREE WAY FITTING



CAP



CODE	DESCRIPTION	PRICE
Z30034	Cap F 3/4"	
Z3001	Cap F 1"	
Z300114	Cap F 1 1/4"	
Z300112	Cap F 1 1/2"	

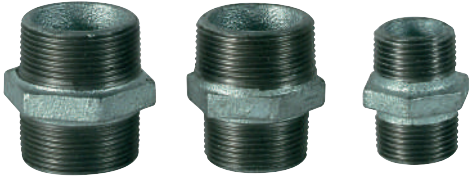
CODE	DESCRIPTION	PRICE
Z29034	Cap M 3/4"	
Z2901	Cap M 1"	
Z290114	Cap M 1 1/4"	
Z290112	Cap M 1 1/2"	

CAP



FITTINGS FOR BLASTING

NIPPLE



CODE	DESCRIPTION	PRICE
Z28034	Nipple MM 3/4"	
Z2413412	Nipple M 3/4" x 1/2"	
Z245134	Nipple M 3/4" x 1"	
Z24511434	Nipple M 3/4" x 1"1/4	
Z24511234	Nipple M 3/4" x 1"1/2	
Z2801	Nipple MM 1"	
Z2451141	Nipple M 1" x 1"1/4	
Z2451121	Nipple M 1" x 1"1/2	
Z280114	Nipple MM 1"1/4	
Z245112114	Nipple M 1"1/4 x 1"1/2	
Z280112	Nipple M 1"1/2	

CODE	DESCRIPTION	PRICE
Z2413414	Reduction M 3/4" x F 1/4"	
Z2413438	Reduction M 3/4" x F 3/8"	
Z2413412	Reduction M 3/4" x F 1/2"	
Z241138	Reduction M 1" x F 3/8"	
Z241112	Reduction M 1" x F 1/2"	
Z24111438	Reduction M 1"1/4 x F 3/8"	
Z24111412	Reduction M 1"1/4 x F 1/2"	
Z241141	Reduction M 1"1/4 x F 1"	
Z24111212	Reduction M 1"1/2 x F 1/2"	
Z241121	Reduction M 1"1/2 x F 1"	
Z241112114	Reduction M 1"1/2 x F 1"1/4"	
Z24121	Reduction M 2" x F 1"	

REDUCTION



SLEEVE



CODE	DESCRIPTION	PRICE
Z27034	Sleeve 3/4"	
Z2701	Sleeve 1"	
Z270114	Sleeve 1" 1/4	
Z270112	Sleeve 1" 1/2	

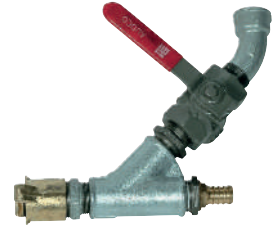
BLASTING ACCESSORIES

ABRASIVE MIXING UNIT



CODE	DESCRIPTION	PRICE
401195	Abrasive mixing group with FSV valve for sandblasters 200/300 lt	

ABRASIVE MIXING UNIT



CODE	DESCRIPTION	PRICE
401196	Abrasive mixing unit 3/4" for sandblasting machines 24/28 lt.	
401197	Abrasive mixing unit 1" for sandblasting machines 100/120 lt.	
401198	Abrasive mixing unit 1 1/4" for sandblasting machines 200/300 lt.	

ABRASIVE REGULATION VALVE



CODE	DESCRIPTION	PRICE
401102	Abrasive regulation valve 3/4"	
401103	Abrasive regulation valve 1"	
401104	Abrasive regulation valve 1 1/4"	



CODE	DESCRIPTION	PRICE
401120	Abrasive regulation valve FSV 1 1/4"	
401101	Abrasive regulation valve RAC-7 1/2"	



CODE	DESCRIPTION	PRICE
402001	Complete rubberized closing valve for sandblaster 18/20/28	
402002	Closing valve O-ring for sandblaster 18/20/28	
402010	Complete rubberized closing valve for sandblaster 60/300	
402011	Closing valve O-ring for sandblaster 60/300	
402014	Vespa type closing cone for sandblaster 24	
402012	Closing valve O-ring for sandblaster 24 type Vespa	
402015	Vespa type closing cone for sandblaster 80/120	
402016	Vespa type closing cone for sandblaster 200/300	
402013	Closing valve O-ring for sandblaster 80/300	

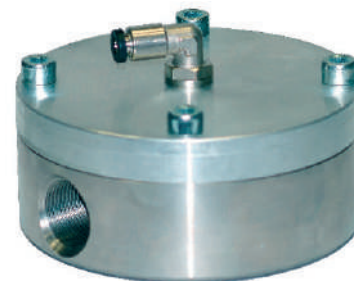
BLASTING ACCESSORIES

AIR INLET VALVE



CODE	DESCRIPTION	PRICE
401121	Pneumatic air inlet valve MV 1" NC	
401122	Pneumatic air inlet valve MV 1 1/4" NC	
041125	Shutter kit 1"	
041127	Membrane 1"	
041126	Shutter kit 1 1/4"	
041128	Membrane 1 1/4"	
041128WLU	Vulcanized rubber 1"	
041128WLB	Vulcanized rubber 1 1/4"	

DRAIN VALVE



CODE	DESCRIPTION	PRICE
401137	Stainless steel diaphragm drain valve 1"	
401167	Body	
401166	Membrane	

SAFETY VALVE



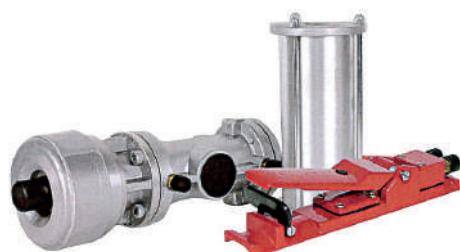
CODE	DESCRIPTION	PRICE
401126	Safety valve 12 bar (ISPESL)	

GASKET KIT

CODE	DESCRIPTION	PRICE
401128	Gasket kit for pneumatic valve air inlet MV 1"	
401129	Gasket kit for pneumatic valve air inlet MV 1 1/4"	



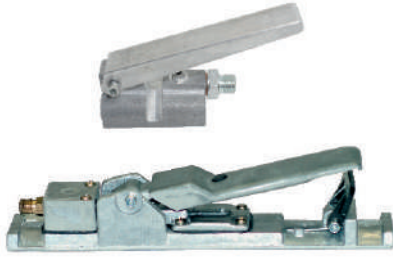
REMOTE CONTROL TRANSFORMATION KIT



CODE	DESCRIPTION	PRICE
COTRA10970C	Remonte control kit complete with control valve, silencer and deadman handle	
10971C	Remonte control valve complete with silencer	
10972N	Remonte control valve without silencer	

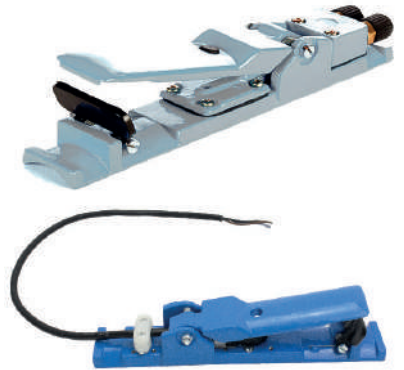
BLASTING ACCESSORIES

DEADMAN HANDLE



CODE	DESCRIPTION	PRICE
401142	Pneumatic remote control deadman handle for 1 hose	
401141	Pneumatic remote control deadman handle for 1 hose Racohi	

DEADMAN HANDLE



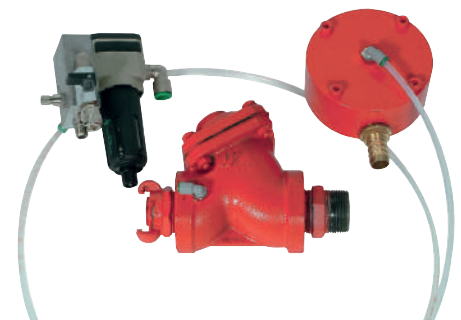
CODE	DESCRIPTION	PRICE
401143	Pneumatic remote control deadman handle for 2 hoses Racohi	
401144	Electric remote control deadman handle for 2 hoses Racohi	

PILOT GROUP



CODE	DESCRIPTION	PRICE
401178	Complete pilot group	
401179	Pilot body without filter	
HOSE38	Separator filter 3/8"	
VSGP35	Brass pin screw	
P352021	Small NBR seal	
P35119	Big NBR seal	

REMOTE CONTROL TRANSFORMATION KIT



CODE	DESCRIPTION	PRICE
208080	Remote control transformation kit for sandblasters 20/28	
208200	Remote control transformation kit for sandblasters 60/300	



CODE	DESCRIPTION	PRICE
A1144300	Double hose fitted for deadman handle 5 m	
A1144410	Double hose fitted for deadman handle 10 m	
A1144400	Double hose fitted for deadman handle 20 m	
A1144500	Double hose fitted for deadman handle 40 m	

BLASTING ACCESSORIES

AQUABLAST



CODE	DESCRIPTION	PRICE
460100	Aquablast wet sandblasting device	

RUBBER HOSE FOR ABRASIVE



CODE	DESCRIPTION	PRICE
360025	Rubber hose for abrasive Ø 13 x 25 al mt.	
360040	Rubber hose for abrasive Ø 25 x 40 al mt.	
360048	Rubber hose for abrasive Ø 32 x 48 al mt.	
360045	Rubber hose for abrasive Ø 30 x 45 al mt.	



CODE	DESCRIPTION	PRICE
600-CONTRA	Safety cable for abrasive hose 32x48	
6001-CONTRA	Safety cable for abrasive hose 25x40	

CODE	DESCRIPTION	PRICE
101155	Leather gloves for sandblasting cabin door ø200mm length 46cm (pair left / right)	
101156	Leather gloves for sandblasting cabin door ø200mm length 60cm (pair left / right)	
101157	Leather gloves for sandblasting cabin door ø200mm length 80cm (pair left / right)	



BLASTING ACCESSORIES

RCBL-24/20



CODE	DESCRIPTION	PRICE
450902	RCBL-24/20 nozzle light 24V 20W with cable 5 mt	

RCBL-24/100

CODE	DESCRIPTION	PRICE
450904	RCBL-24/100 manual lamp 24V 100W with cable 5 mt	



RCBL-24/100



CODE	DESCRIPTION	PRICE
450906	RCH-120 Lampholder (without bulb) 24V 120W	
450907	Halogen light bulb 24V 120W	
450971	LED light bulb 24V 15W	
450908	Ceramic holder	
450909	Pipe clamp collar	

TRANSFORMER

CODE	DESCRIPTION	PRICE
450910	Transformer 220V 500 VA with 2 outputs 24V	
450911	Transformer 220V 500 VA with 4 outputs 24V	



OVERALL



CODE	DESCRIPTION	PRICE
305565	Full blasting overall size 50	
305566	Full blasting overall size 52	
305567	Full blasting overall size 54	
305568	Full blasting overall size 56	
305569	Full blasting overall size 58	
305570	Full blasting overall size 60	

GLOVES

CODE	DESCRIPTION	PRICE
300900	Crust gloves for sandblasting	



BLASTING HELMETS

ACS 951



CODE	DESCRIPTION	PRICE
300030	Blasting helmet with cape ACS 951 complete	
300084	Face mask	
300082	Corrugated pipe	
300085	Air flow regulator	
300083	Filter EOD 55	
300087	Glass lens Ø 65	
300090	Polycarbonate lens Ø 65 (pkg. 20 pcs)	

ACS 952



CODE	DESCRIPTION	PRICE
300040	Blasting helmet with cape ACS 952 complete	
300091	Helmet with collar	
300092	Helmet with cape	
300093	Cape only	
300086	Glass visor 100x140	
300089	Polycarbonate visor 100x140 (pkg. 20 pcs)	

RC 4



CODE	DESCRIPTION	PRICE
300010	Blasting mask RC 4 (without filter)	
300010V	Aired blasting mask RC 4 (without filter)	
300081	Aerosol filter for RC 4	
300086	Glass visor 100x140	

CODE	DESCRIPTION	PRICE
4800000VS	Blasting helmet ASTRO I complete	
4600500VS	Visor hook	
4600900VS	Inner lens (pkg. 10 pcs)	
4601000VS	Outer lens (pkg. 50 pcs)	
4601200VS	Nylon cape	
4601600VS	Air flow regulator	
4601700VS	Belt	



CLIMA CONTROL



CODE	DESCRIPTION	PRICE
300095R	Clima control hot air temperature regulator mod. red for sandblasting masks	
300095A	Clima control fresh air temperature regulator mod. blue for sandblasting masks	
300096	Adapter for Spasciani masks	



PLASTERING MACHINES FOR
THE CONSTRUCTION SECTOR
FOR PRE-MIXED PRODUCTS
AND MIXERS

HIGH PRESSURE PUMPS FOR
BUILDING AND INDUSTRIAL
PAINTING



PROFESSIONAL ROAD
MARKERS FOR STREETS,
PARKING LOTS AND
WAREHOUSES

ELECTRIC PUMPS AND
TURBINES FOR DIY AND
SMALL JOBS



PUMPS FOR PLASTER,
INTUMESCENT AND WALL
COVERINGS

AIRLESS MEMBRANE PUMPS

MADE IN ITALY

SUITABLE FOR THE PAINTING OF: Industrial paints, thixotropic paints, primers, water-based enamels, anti-corrosion paints, polyurethane, epoxies, acrylics, wall paints for interiors and exteriors.

VS 4500 COMPACT

AIRLESS ELECTRIC MEMBRANE PUMP WITH VERTICAL HEAD MOUNTED ON CART WITH WHEELS

CODE:	069400
FLOW:	5 lt/min
MAX PRESSURE:	200 bar
MAX TIP SIZE:	0.021"
POWER:	0.9 kW
POWER TENSION:	230 V - 50 Hz
WEIGHT:	28 kg
NOISE LEVEL:	70 dB
PRICE:	



ALSO AVAILABLE WITH 25 LT STAINLESS STEEL TANK



AIRLESS KIT WITH SUCTION SYSTEM

CODE	DESCRIPTION	PRICE
069400	VS 4500 Compact pump on cart with wheels	
073629	Suction dispersion kit with hose \varnothing 25 suction M 28x1,5 and nut FG 36x2 90°	
614104	HP Hose 1/4" metallic braid fitted FS 1/4" 10 m	
VS80500	VS 500 Airless manual gun 11/16"	
ARVXXXA	Self-cleaning tip ARV	
AR8555051	Tip guard 11/16"	
400800	Stroke compensator with pressure gauge 0-400 bar	

COMPLETE KIT PRICE:

AIRLESS KIT WITH NYLON TANK

CODE	DESCRIPTION	PRICE
069400	VS 4500 Compact pump on cart with wheels	
520001RT	Nylon tank kit 6 L with high pressure return hose 20x2	
614104	HP Hose 1/4" metallic braid fitted FS 1/4" 10 m	
VS80500	VS 500 Airless manual gun 11/16"	
ARVXXXA	Self-cleaning tip ARV	
AR8555051	Tip guard 11/16"	
400800	Stroke compensator with pressure gauge 0-400 bar	

COMPLETE KIT PRICE:

AIRLESS MEMBRANE PUMPS

MADE IN ITALY

SUITABLE FOR THE PAINTING OF: Industrial paints, thixotropic paints, primers, water-based enamels, anti-corrosion paints, polyurethane, epoxies, acrylics, wall paints for interiors and exteriors.

VS 6000 COMPACT

AIRLESS ELECTRIC MEMBRANE PUMP WITH VERTICAL HEAD MOUNTED ON CART WITH WHEELS

CODE:	069600
FLOW:	6 lt/min
MAX PRESSURE:	200 bar
MAX TIP SIZE:	0.025"
POWER:	1.8 kW
POWER TENSION:	230 V - 50 Hz
WEIGHT:	32 kg
NOISE LEVEL:	70 dB
PRICE:	



ALSO AVAILABLE WITH 25 LT STAINLESS STEEL TANK



AIRLESS KIT WITH SUCTION SYSTEM

CODE	DESCRIPTION	PRICE
069600	VS 6000 Compact pump on cart with wheels	
073629	Suction dispersion kit with hose \varnothing 25 suction M 28x1,5 and nut FG 36x2 90°	
614104	HP Hose 1/4" metallic braid fitted FS 1/4" 10 m	
VS80500	VS 500 Airless manual gun 11/16"	
ARVXXXA	Self-cleaning tip ARV	
AR8555051	Tip guard 11/16"	
400800	Stroke compensator with pressure gauge 0-400 bar	

COMPLETE KIT PRICE:

AIRLESS KIT WITH NYLON TANK

CODE	DESCRIPTION	PRICE
069600	VS 6000 Compact pump on cart with wheels	
520001RT	Nylon tank kit 6 L with high pressure return hose 20x2	
614104	HP Hose 1/4" metallic braid fitted FS 1/4" 10 m	
VS80500	VS 500 Airless manual gun 11/16"	
ARVXXXA	Self-cleaning tip ARV	
AR8555051	Tip guard 11/16"	
400800	Stroke compensator with pressure gauge 0-400 bar	

COMPLETE KIT PRICE:

AIRLESS MEMBRANE PUMPS

MADE IN ITALY

SUITABLE FOR THE PAINTING OF: Industrial paints, thixotropic paints, primers, water-based enamels, anti-corrosion paints, polyurethane, epoxies, acrylics, wall paints for interiors and exteriors.

VS 10000 COMPACT

AIRLESS ELECTRIC MEMBRANE PUMP WITH VERTICAL HEAD MOUNTED ON CART WITH WHEELS

CODE:	069100
FLOW:	12 lt/min
MAX PRESSURE:	250 bar
MAX TIP SIZE:	0.037"
POWER:	1.8 kW
POWER TENSION:	230 V - 50 Hz
WEIGHT:	35 kg
NOISE LEVEL:	70 dB
PRICE:	



ALSO AVAILABLE WITH 6 LT NYLON TANK



AIRLESS KIT WITH SUCTION SYSTEM

CODE	DESCRIPTION	PRICE
069100	VS 10000 Compact pump with vertical head on cart with wheels	
073629	Suction dispersion kit with hose \varnothing 25 suction M 28x1,5 and nut FG 36x2 90°	
614104	HP Hose 1/4" metallic braid fitted FS 1/4" 10 m	
VS80500	VS 500 Airless manual gun 11/16"	
ARVXXXA	Self-cleaning tip ARV	
AR8555051	Tip guard 11/16"	
400800	Stroke compensator with pressure gauge 0-400 bar	

COMPLETE KIT PRICE:

AIRLESS KIT WITH S. STEEL TANK

CODE	DESCRIPTION	PRICE
069100	VS 10000 Compact pump with vertical head on cart with wheels	
521001RT	S. steel tank kit 25 L with high pressure return hose 20x2	
614104	HP Hose 1/4" metallic braid fitted FS 1/4" 10 m	
VS80500	VS 500 Airless manual gun 11/16"	
ARVXXXA	Self-cleaning tip ARV	
AR8555051	Tip guard 11/16"	
400800	Stroke compensator with pressure gauge 0-400 bar	

COMPLETE KIT PRICE:

AIRLESS MEMBRANE PUMPS

MADE IN ITALY

SUITABLE FOR THE PAINTING OF: Industrial paints, thixotropic paints, primers, water-based enamels, anti-corrosion paints, polyurethane, epoxies, acrylics, wall paints for interiors and exteriors.

VS 10000 LATERALE

**AIRLESS ELECTRIC MEMBRANE PUMP WITH HORIZONTAL HEAD
MOUNTED ON CART WITH WHEELS**

CODE:	069200
FLOW:	12 lt/min
MAX PRESSURE:	250 bar
MAX TIP SIZE:	0.037"
POWER:	1.8 kW
POWER TENSION:	230 V - 50 Hz
WEIGHT:	35 kg
NOISE LEVEL:	70 dB
PRICE:	



AIRLESS KIT WITH SUCTION SYSTEM

CODE	DESCRIPTION	PRICE
069200	VS 10000 Compact pump with horizontal head on cart with wheels	
070362	Suction dispersion kit with hose \varnothing 25 suction M 28x1,5 and nut FG 36x2	
614104	HP Hose 1/4" metallic braid fitted FS 1/4" 10 m	
VS80500	VS 500 Airless manual gun 11/16"	
ARVXXXA	Self-cleaning tip ARV	
AR8555051	Tip guard 11/16"	
400800	Stroke compensator with pressure gauge 0-400 bar	

COMPLETE KIT PRICE:

AIRLESS MEMBRANE PUMPS

MADE IN ITALY

SUITABLE FOR THE PAINTING OF: Industrial paints, thixotropic paints, primers, water-based enamels, anti-corrosion paints, polyurethane, epoxies, acrylics, wall paints for interiors and exteriors.

VS 10000 SCOPPIO

**AIRLESS GASOLINE POWERED MEMBRANE PUMP WITH VERTICAL HEAD
MOUNTED ON CART WITH WHEELS**

CODE:	069500
FLOW:	12 lt/min
MAX PRESSURE:	250 bar
MAX TIP SIZE:	0.037"
POWER:	6,5 Cv
POWER TENSION:	230 V - 50 Hz
WEIGHT:	50 kg
PRICE:	



AIRLESS KIT WITH SUCTION SYSTEM

CODE	DESCRIPTION	PRICE
069500	VS 10000 Compact pump with gasoline engine on cart with wheels	
073629	Suction dispersion kit with hose \varnothing 25 suction M 28x1,5 and nut FG 36x2 90°	
614104	HP Hose 1/4" metallic braid fitted FS 1/4" 10 m	
VS80500	VS 500 Airless manual gun 11/16"	
ARVXXXA	Self-cleaning tip ARV	
AR8555051	Tip guard 11/16"	
400800	Stroke compensator with pressure gauge 0-400 bar	

COMPLETE KIT PRICE:

AIRLESS PISTON PUMPS



FEATURES:

- INDUSTRIAL QUALITY HIGH TORQUE DC MOTOR
- PRO-DUTY PUMP WITH CHROME PISTON ROD AND LIFETIME PUMP CILINDER
- EXCLUSIVE EXTERNALLY ADJUSTABLE PACKINGS
- RELIABLE PRESSURE CONTROL FOR SMOOTH SPRAYING
- USAGE UP TO 1,500 LITERS PER YEAR



SUITABLE FOR:
 IMPREGNANTS
 WASHABLE PAINT
 LACQUERS AND ENAMELS
 INTERIOR WALL PAINTS
 ANTI-CORROSION PAINTS



MP 455

AIRLESS PISTON PUMP COMPLETE WITH 1/4" x 15 M HOSE,
 ProLIGHT 500 GUN AND 517 REV-TIP

CODE:	17M196
FLOW:	1,8 lt/min
MAX PRESSURE:	227 bar
MAX TIP SIZE:	0.021"
POWER:	5/8 Cv
POWER TENSION:	230 V - 50 Hz
MAX HOSE LENGHT:	30 mt
WEIGHT:	17 kg
PRICE:	

ACCESSORIES:

CODE	DESCRIPTION
17H171	Tank kit 6 lt
51XXXXG	Extensions in various sizes from 15cm to 200cm 7/8" connection see pag. 85
637800	Swivel joint 7/8" with guide for profiles



RELATED SPARE PARTS AND ACCESSORIES:



PUMPING GASKET AND SEAL KIT
 Cod. G17P094



REV TIP
 Cod. ARVXXXA
ULTRA FINISH TIP
 Cod. TUFXXX



TIP GUARD
 Cod. AR8555051

AIRLESS PISTON PUMPS

FEATURES:

- PRECISION SPRAY CONTROL SYSTEM PROVIDES SMOOTH
- SPRAYING ACROSS A WIDE RANGE OF PRESSURES
- LCD DIGITAL DISPLAY
- INDUSTRIAL QUALITY HIGH TORQUE TEFC DC MOTOR
- PRO-DUTY PUMP WITH CHROME PISTON ROD AND LIFETIME PUMP CILINDER
- EXCLUSIVE EXTERNALLY ADJUSTABLE PACKINGS
- USAGE UP TO 1,500 LITERS PER YEAR

SUITABLE FOR:
 IMPREGNANTS
 WASHABLE PAINT
 LACQUERS AND ENAMELS
 INTERIOR WALL PAINTS
 ANTI-CORROSION PAINTS



LP 555 STAND



LP 555 HI BOY

AIRLESS PISTON PUMP COMPLETE WITH 1/4" x 15 M HOSE,
 PROLIGHT 500 GUN AND 517 REV-TIP

CODE:	17M197
FLOW:	2,0 lt/min
MAX PRESSURE:	227 bar
MAX TIP SIZE:	0.023"
POWER:	7/8 Cv
POWER TENSION:	230 V - 50 Hz
MAX HOSE LENGHT:	45 mt
WEIGHT:	23 kg
PRICE:	

AIRLESS PISTON PUMP COMPLETE WITH 1/4" x 15 M HOSE,
 PROLIGHT 500 GUN AND 517 REV-TIP

CODE:	17M198
FLOW:	2,0 lt/min
MAX PRESSURE:	227 bar
MAX TIP SIZE:	0.023"
POWER:	7/8 Cv
POWER TENSION:	230 V - 50 Hz
MAX HOSE LENGHT:	45 mt
WEIGHT:	30 kg
PRICE:	

RELATED SPARE PARTS AND ACCESSORIES:



**PUMPING GASKET
 AND SEAL KIT**
 Cod. G17P094



REV TIP
 Cod. ARVXXXA
ULTRA FINISH TIP
 Cod. TUFXXX



TIP GUARD
 Cod. AR8555051

AIRLESS PISTON PUMPS



FEATURES:

- PRECISION SPRAY CONTROL SYSTEM PROVIDES SMOOTH
- SPRAYING ACROSS A WIDE RANGE OF PRESSURES
- LCD DIGITAL DISPLAY
- INDUSTRIAL QUALITY HIGH TORQUE TEFC DC MOTOR
- PRO-DUTY PUMP WITH CHROME PISTON ROD AND LIFETIME PUMP CILINDER
- EXCLUSIVE EXTERNALLY ADJUSTABLE PACKINGS
- USAGE UP TO 2,500 LITERS PER YEAR

SUITABLE FOR:
 IMPREGNANTS
 WASHABLE PAINT
 LACQUERS AND ENAMELS
 INTERIOR WALL PAINTS
 ANTI-CORROSION PAINTS



LP 655 STAND



LP 655 HI BOY

AIRLESS PISTON PUMP COMPLETE WITH 1/4" x 15 M HOSE,
 PROLIGHT 500 GUN AND 517 REV-TIP

CODE:	17M201
FLOW:	2,3 lt/min
MAX PRESSURE:	227 bar
MAX TIP SIZE:	0.025"
POWER:	1 Cv
POWER TENSION:	230 V - 50 Hz
MAX HOSE LENGHT:	45 mt
WEIGHT:	29 kg
PRICE:	

AIRLESS PISTON PUMP COMPLETE WITH 1/4" x 15 M HOSE,
 PROLIGHT 500 GUN AND 517 REV-TIP

CODE:	17M200
FLOW:	2,3 lt/min
MAX PRESSURE:	227 bar
MAX TIP SIZE:	0.025"
POWER:	1 Cv
POWER TENSION:	230 V - 50 Hz
MAX HOSE LENGHT:	45 mt
WEIGHT:	30 kg
PRICE:	

RELATED SPARE PARTS AND ACCESSORIES:



PUMPING GASKET AND SEAL KIT
 Cod. G17P094



REV TIP
 Cod. ARVXXXA
ULTRA FINISH TIP
 Cod. TUFXXX



TIP GUARD
 Cod. AR8555051

AIRLESS PISTON PUMPS



FEATURES:

- PRECISION SPRAY CONTROL SYSTEM PROVIDES SMOOTH SPRAYING
- ACROSS A WIDE RANGE OF PRESSURES
- LED DIGITAL DISPLAY
- INDUSTRIAL QUALITY, HIGH TORQUE BRUSHLESS DC MOTOR
- CHROME PISTON ROD AND CYLINDER FOR LONG LIFE
- LARGE HIGH PRESSURE FILTER
- ABILITY TO SPRAY WITH 2-GUNS
- USAGE UP TO 3,000 LITERS PER YEAR

SUITABLE FOR:
 IMPREGNANTS
 WASHABLE PAINT
 LACQUERS AND ENAMELS
 INTERIOR WALL PAINTS
 ANTI-CORROSION PAINTS
 EXTERIOR WALL PAINTS
 ACRYLICS
 FIRE RETARDANT PAINTS



LP 955



SL 1250

AIRLESS PISTON PUMP COMPLETE WITH 1/4" x 15 M HOSE,
 PROLIGHT 500 GUN AND 517 REV-TIP

CODE:	18C271
FLOW:	3,0 lt/min
MAX PRESSURE:	227 bar
MAX TIP SIZE 1 GUN:	0.029"
MAX TIP SIZE 2 GUNS:	0.019"
POWER:	1,8 Cv
POWER TENSION:	230 V - 50 Hz
MAX HOSE LENGHT:	45 mt
WEIGHT:	34 kg
PRICE:	

AIRLESS PISTON PUMP COMPLETE WITH 1/4" x 15 M HOSE,
 PROLIGHT 500 GUN AND 517 REV-TIP

CODE:	17M202
FLOW:	3,6 lt/min
MAX PRESSURE:	227 bar
MAX TIP SIZE 1 GUN:	0.031"
MAX TIP SIZE 2 GUNS:	0.019"
POWER:	2 Cv
POWER TENSION:	230 V - 50 Hz
MAX HOSE LENGHT:	60 mt
WEIGHT:	29 kg
PRICE:	

RELATED SPARE PARTS AND ACCESSORIES:



PUMPING GASKET AND SEAL KIT
 Cod. G248212



REV TIP
 Cod. ARVXXXA
ULTRA FINISH TIP
 Cod. TUFXXX



TIP GUARD
 Cod. AR8555051

AIRLESS PISTON PUMPS



FEATURES:

- PRECISION SPRAY CONTROL SYSTEM PROVIDES SMOOTH SPRAYING
- ACROSS A WIDE RANGE OF PRESSURES
- LED DIGITAL DISPLAY
- INDUSTRIAL QUALITY HIGH TORQUE 2.8 HP DC MOTOR
- CHROME PISTON ROD AND CYLINDER FOR LONG LIFE
- LONG PUMP SUBMERGED IN MATERIAL ALLOWING HEAVY MATERIALS TO BE SPRAYED
- HEAVY-DUTY GEAR BOX WITH HARDENED STEEL GEARS
- LARGE INLET SEAT FOR HIGHER FLOW
- ABILITY TO SPRAY WITH 2-GUNS
- USAGE UP TO 5,000 LITERS PER YEAR

SUITABLE FOR:

- INTERIOR WALL PAINTS
- ANTI-CORROSION PAINTS
- EXTERIOR PAINTS
- ACRYLICS
- FIRE RETARDANT PAINTS
- PLASTERWORK
- PROTECTIVE COATINGS



TS 1750

ACCESSORIES:

AIRLESS PISTON PUMP COMPLETE WITH 3/8" x 15 M HOSE,
ProLIGHT 500 GUN AND 517 REV-TIP

CODE:	17M203
FLOW:	5,1 lt/min
MAX PRESSURE:	227 bar
MAX TIP SIZE 1 GUN:	0.039"
MAX TIP SIZE 2 GUNS:	0.029"
POWER:	2,8 Cv
POWER TENSION:	230 V - 50 Hz
MAX HOSE LENGTH:	90 mt
WEIGHT:	54 kg
PRICE:	

CODE	DESCRIPTION
SL9000	Support for filtering socks
SL4000	Dispersion filtering socks
51XXXXG	Extensions in various sizes from 15cm to 200cm 7/8" connection see pag. 85
637800	Swivel joint 7/8" with guide for profiles



RELATED SPARE PARTS AND ACCESSORIES:



PUMPING GASKET AND SEAL KIT
Cod. G249189



REV TIP
Cod. ARVXXXA
ULTRA FINISH TIP
Cod. TUFXXX



TIP GUARD
Cod. AR8555051

AIRLESS PISTON PUMPS



FEATURES:

- PRECISION SPRAY CONTROL SYSTEM PROVIDES SMOOTH SPRAYING
- ACROSS A WIDE RANGE OF PRESSURES
- VANGUARD 5.5 HP ENGINE WITH A 3-YEAR WARRANTY AND OIL ALERT
- ENGINE PROTECTION
- PRO-DUTY PUMP WITH CHROME PISTON AND LIFETIME PUMP CILINDER
- EXCLUSIVE EXTERNALLY ADJUSTABLE PACKINGS
- OVERSIZED HIGH-PRESSURE FILTER
- USAGE UP TO 3,000 LITERS PER YEAR



SUITABLE FOR:

- INTERIOR WALL PAINTS
- ANTI-CORROSION PAINTS
- EXTERIOR PAINTS
- ACRYLICS
- FIRE RETARDANT PAINTS
- PLASTERWORK
- PROTECTIVE COATINGS



GS 950

ACCESSORIES:

AIRLESS PISTON PUMP COMPLETE WITH 1/4" X 15 M HOSE,
ProLIGHT 500 GUN AND 517 REV-TIP

CODE:	17M141
FLOW:	2,8 lt/min
MAX PRESSURE:	227 bar
MAX TIP SIZE:	0.027"
POWER:	5,5 Cv
POWER TENSION:	230 V - 50 Hz
MAX HOSE LENGHT:	90 mt
WEIGHT:	45 kg
PRICE:	

CODE	DESCRIPTION
SL9000	Support for filtering socks
SL4000	Dispersion filtering socks
51XXXXG	Extensions in various sizes from 15cm to 200cm 7/8" connection see pag. 85
637800	Swivel joint 7/8" with guide for profiles



RELATED SPARE PARTS AND ACCESSORIES:



PUMPING GASKET AND SEAL KIT
Cod. G17P094



REV TIP
Cod. ARVXXXA
ULTRA FINISH TIP
Cod. TUFXXX



TIP GUARD
Cod. AR8555051

AIRLESS PISTON PUMPS



FEATURES:

- EASILY PUMPS HEAVY BODIED COATINGS
- SLOW STROKING DESIGN FOR LONG LIFE
- LESS FREQUENT MAINTENANCE FOR REDUCED OPERATING COST AND DOWN TIME
- LARGER INLET SEAT FOR HIGHER FLOW
- LONG PUMP IS SUBMERGED IN MATERIAL – ALLOWING HEAVY MATERIALS TO BE SPRAYED
- OVERSIZED HYDRAULIC PUMP FOR LONG LIFE
- LARGE CAPACITY RESERVOIR KEEPS THE SYSTEM COOL
- LOWER OPERATING TEMPS FOR REDUCED FRICTION AND WEAR
- BELT GUARD PIVOTS OPEN FOR EASY REMOVAL OF ENGINE
- USAGE UP TO 10,000 LITERS PER YEAR

SUITABLE FOR:

- INTERIOR WALL PAINTS
- ANTI-CORROSION PAINTS
- EXTERIOR PAINTS
- ACRYLICS
- FIRE RETARDANT PAINTS
- PLASTERWORK
- PROTECTIVE COATINGS



HSS 9950 GASOLINE

AIRLESS PISTON PUMP COMPLETE WITH 3/8" x 15 M HOSE, PROLIGHT 500 GUN AND 631 REV-TIP

CODE:	17M206
FLOW:	8,9 lt/min
MAX PRESSURE:	227 bar
MAX TIP SIZE 1 GUN:	0.057"
MAX TIP SIZE 2 GUNS:	0.035"
POWER:	6,5 Cv
MAX HOSE LENGHT:	90 mt
WEIGHT:	90 kg
PRICE:	

HSS 9950 ELECTRIC

AIRLESS PISTON PUMP COMPLETE WITH 3/8" x 15 M HOSE, PROLIGHT 500 GUN AND 631 REV-TIP

CODE:	17M205
FLOW:	8,9 lt/min
MAX PRESSURE:	227 bar
MAX TIP SIZE 1 GUN:	0.047"
MAX TIP SIZE 2 GUNS:	0.031"
POWER:	2,2 kW
POWER TENSION:	230 V - 50 Hz
MAX HOSE LENGHT:	90 mt
WEIGHT:	90 kg
PRICE:	

RELATED SPARE PARTS AND ACCESSORIES:



PUMPING GASKET AND SEAL KIT
Cod. G24N012



REV TIP
Cod. ARVXXXA
ULTRA FINISH TIP
Cod. TUFXXX



TIP GUARD
Cod. AR8555051

AIRLESSCO ACCESSORIES



AIRLESS GUN PRO LIGHT 500 COMPLETE WITH BOX KIT WITH GUARD AND NOZZLE 517



CODE	FLUID INLET	HEAD	MAX PRESSURE	PRICE
17N201	1/4"	7/8"	500 Bar	

CODE	DESCRIPTION	PRICE
G288817	Repair kit for gun Pro Light 500	



CODE	DESCRIPTION	PRICE
17H171	Airlessco 6 Lt tank with return for pumps: MP 455 - LP 555 - LP 655	
VSB17H1	Compatible 6 Lt tank with return for pumps: MP 455 - LP 555 - LP 655	

CODE	DESCRIPTION	PRICE
17M991	Pro-Duty quick repair pump for model MP 455 - LP 555 - LP 655	



CODE	DESCRIPTION	PRICE
G248946	Electric motor kit 2.2 Kw complete for HSS 9950 pump	
17M315	Honda 6.5 HP gasoline engine kit complete for HSS 9950 pump	
17M316	Honda 8.5 HP gasoline engine kit complete for HSS 9950 pump	

AIRLESS PISTON PUMPS

SUITABLE FOR:
IMPREGNANTS
WASHABLE PAINT
LACQUERS AND ENAMELS
INTERIOR WALL PAINTS
ANTI-CORROSION PAINTS

VS 410



PISTON AIRLESS PUMP COMPLETE WITH 1/4" 15MT HOSE,
VS 818 GUN WITH TIP AND 15CM EXTENSION

CODE:	VS410
FLOW:	1,8 lt/min
MAX PRESSURE:	227 bar
MAX TIP SIZE:	0.021"
POWER:	5/8 HP
POWER TENSION:	230 V - 50 Hz
MAX HOSE LENGHT:	30 mt
WEIGHT:	13 kg
PRICE:	

VS 610

PISTON AIRLESS PUMP COMPLETE WITH 1/4" 15MT HOSE,
VS 818 GUN WITH TIP AND GUARD

CODE:	VS610
FLOW:	4 lt/min
MAX PRESSURE:	227 bar
MAX TIP SIZE:	0.027"
POWER:	1 Cv
POWER TENSION:	230 V - 50 Hz
MAX HOSE LENGHT:	30 mt
WEIGHT:	25 kg
PRICE:	



RELATED SPARE PARTS AND ACCESSORIES:



REV TIP
Cod. ARVXXXA
ULTRA FINISH TIP
Cod. TUFXXX



TIP GUARD
Cod. AR8555051

AIRLESS PISTON PUMPS

SUITABLE FOR:
IMPREGNANTS
WASHABLE PAINT
LACQUERS AND ENAMELS
INTERIOR WALL PAINTS
ANTI-CORROSION PAINTS
EXTERIOR WALL PAINTS
ACRYLICS
FIRE RETARDANT PAINTS



VS 1110

PISTON AIRLESS PUMP COMPLETE WITH 1/4" 15MT HOSE,
VS 818 GUN WITH TIP AND GUARD

CODE:	VS1110
FLOW:	5,0 lt/min
MAX PRESSURE:	227 bar
MAX TIP SIZE 1 GUN:	0.033"
MAX TIP SIZE 2 GUNS:	0.019"
POWER:	4 Cv
POWER TENSION:	230 V - 50 Hz
MAX HOSE LENGHT:	45 mt
WEIGHT:	55 kg
PRICE:	

VS 1510

PISTON AIRLESS PUMP COMPLETE WITH 1/4" 15MT HOSE,
VS 818 GUN WITH TIP AND GUARD

CODE:	VS1510
FLOW:	6,5 lt/min
MAX PRESSURE:	227 bar
MAX TIP SIZE 1 GUN:	0.035"
MAX TIP SIZE 2 GUNS:	0.021"
POWER:	4 Cv
POWER TENSION:	230 V - 50 Hz
MAX HOSE LENGHT:	60 mt
WEIGHT:	60 kg
PRICE:	



RELATED SPARE PARTS AND ACCESSORIES:



REV TIP
Cod. ARVXXXA
ULTRA FINISH TIP
Cod. TUFXXX



TIP GUARD
Cod. AR8555051

LINE STRIPERS

FEATURES:

- FRONT SWIVEL WHEEL FOR MAXIMUM MANEUVERABILITY
- MOVE SPRAY GUN ASSEMBLY IN SECONDS; LEFT/RIGHT, FRONT/BACK — NO TOOLS NEEDED!
- VANGUARD ENGINE PROVIDES UNMATCHED POWER
- ELECTRONIC PRESSURE CONTROL PROVIDES EXCELLENT LINE QUALITY
- EXTRA LARGE MANIFOLD FILTER PREVENTS CLOGGING
- LARGE BUCKET HOLDER HAS ROOM FOR OVERSIZED 55 LITRE PAINT HOPPER
- PRO-DUTY PUMP WITH CHROME PISTON ROD AND HARDENED CYLINDER
- EXCLUSIVE EXTERNALLY ADJUSTABLE PACKINGS

EXTRA FEATURES FOR SELF-PROPELLER VERSION:

- INDEPENDANT SELF PROPEL SYSTEM
- ON-BOARD 12V BATTERY, RECHARGING VIA VANGUARD ENGINE
- ADJUSTABLE SPEED FORWARD DRIVING, SINGLE BUTTON ACTIVATION
- “CRUISE-CONTROL” ALLOWS YOU TO SET A FIXED SPEED WHILE SPRAYING



SURE STRIPE 3350 SP

AIRLESS GASOLINE ENGINE LINE STRIPER
SELF-PROPELLED

CODE:	17M232
FLOW:	2,65 lt/min
MAX PRESSURE:	227 bar
MAX TIP SIZE:	0.027"
POWER:	5,5 HP Vanguard
WEIGHT:	99 kg
PRICE:	

SURE STRIPE 3350

AIRLESS GASOLINE ENGINE LINE STRIPER

CODE:	17M231
FLOW:	2,65 lt/min
MAX PRESSURE:	227 bar
MAX TIP SIZE:	0.027"
POWER:	5,5 HP Vanguard
WEIGHT:	76 kg
PRICE:	

RELATED SPARE PARTS AND ACCESSORIES:



STRIPING TIP
Cod. TSLXXX



TIP GUARD
Cod. AR8555051

LINE STRIPERS

FEATURES:

- FRONT SWIVEL WHEEL FOR MAXIMUM MANEUVERABILITY
- MOVE SPRAY GUN ASSEMBLY IN SECONDS; LEFT/RIGHT, FRONT/BACK — NO TOOLS NEEDED!
- ANGUARD ENGINE PROVIDES UNMATCHED POWER
- ELECTRONIC PRESSURE CONTROL PROVIDES EXCELLENT LINE QUALITY
- EXTRA LARGE MANIFOLD FILTER PREVENTS CLOGGING
- LARGE BUCKET HOLDER HAS ROOM FOR OVERSIZED
- 55 LITRE PAINT HOPPER
- CHROME PISTON ROD AND CYLINDER FOR LONG LIFE



SURE STRIPE 4350 ONE GUN

AIRLESS GASOLINE ENGINE LINE STRIPER

CODE:	25M233
FLOW:	4,7 lt/min
MAX PRESSURE:	227 bar
MAX TIP SIZE:	0.035"
POWER:	5,5 HP Vanguard
WEIGHT:	99 kg
PRICE:	



SURE STRIPE 4350 TWO GUNS

AIRLESS GASOLINE ENGINE LINE STRIPER

CODE:	25M234
FLOW:	4,7 lt/min
MAX PRESSURE:	227 bar
MAX TIP SIZE 2 GUNS:	0.025"
POWER:	5,5 HP Vanguard
WEIGHT:	99 kg
PRICE:	

RELATED SPARE PARTS AND ACCESSORIES:



STRIPING TIP
Cod. TSLXXX



TIP GUARD
Cod. AR8555051

LINE STRIPERS

FEATURES:

- SWIVEL FRONT WHEEL TO ENSURE MAXIMUM MANEUVERABILITY
- THE HONDA ENGINE PROVIDES UNMATCHED POWER
- ENLARGED CAN SUPPORT WITH SPACE FOR CONTAINERS UP TO 50 L
- HANDLEBAR DESIGNED FOR USER COMFORT



WS 4500

AIRLESS GASOLINE ENGINE LINE STRIPER

CODE:	VST4500
FLOW:	5 lt/min
MAX PRESSURE:	207 bar
MAX TIP SIZE:	0.023"
POWER:	5,5 HP Honda
WEIGHT:	75 kg
PRICE:	

RELATED SPARE PARTS AND ACCESSORIES:



STRIPING TIP
Cod. TSLXXX



TIP GUARD
Cod. AR8555051

LINE STRIPERS

FEATURES:

- SWIVEL FRONT WHEEL TO ENSURE MAXIMUM MANEUVERABILITY
- THE HONDA ENGINE PROVIDES UNMATCHED POWER
- POSSIBILITY OF BLOCKING THE FRONT WHEEL TO SPRAY CURVES AND ARCHES WITHOUT IMPERFECTIONS
- HANDLEBAR DESIGNED FOR USER COMFORT
- LOW FRICTION WHEELS TO FACILITATE MOVEMENT AND MINIMIZE EFFORT

THE IDEAL SOLUTION FOR TRACING PARKING SLOT LINES, SIGNS FOR WAREHOUSES, ROADS AND SPORTS FIELDS



LINE 6500

AIRLESS GASOLINE ENGINE LINE STRIPER

CODE:	VS6500
FLOW:	5 lt/min
MAX PRESSURE:	210 bar
MAX TIP SIZE:	0.025"
POWER:	5,5 Cv Honda
WEIGHT:	58 kg
PRICE:	



LINE 8500

AIRLESS GASOLINE ENGINE LINE STRIPER

CODE:	VS8500
FLOW:	5 lt/min
MAX PRESSURE:	210 bar
MAX TIP SIZE 1 GUN:	0.035"
MAX TIP SIZE 2 GUNS:	0.021"
POWER:	5,5 Cv Vanguard
WEIGHT:	65 kg
PRICE:	

RELATED SPARE PARTS AND ACCESSORIES:



STRIPING TIP
Cod. TSLXXX



TIP GUARD
Cod. AR8555051

PERISTALTIC PUMP

COMPACT AND VERSATILE PERISTALTIC PUMP IDEAL FOR THE NEEDS OF CRAFTSMEN AND PROFESSIONALS DESIGNED TO SPRAY PLASTER, CEMENT PLASTER, CORK, GRAINY INTUMESCENT, SOUNDPROOFING, PLASTER AND VARIOUS TYPES OF WALL COVERINGS.

COMPETE WITH ACCESSORIES:



ENERGY 21

PERISTALTIC PUMP FOR GRAINY MATERIALS

CODE:	VSE21
FLOW:	8 lt/min
WORKIGN PRESSURE:	20 bar
MAX TIP SIZE:	10 mm
POWER:	2,4 Cv
MAX HOSE LENGHT:	30 mt
HOPPER CAPACITY:	50 lt
PRICE:	

PLASTER MIXER

CONTINUOUS CYCLE MIXER WITH WATER DISPENSER, RESISTANT TO WORK AND EASY TO USE, SUITABLE FOR MIXING MORTARS, FINE MORTAR, PREMIXED PLASTERS, GLUES FOR TILES AND INSULATION PRODUCTS.

CODE:	E30740
FLOW:	22 lt/min
MIN WATER PRESSURE:	3 bar
MAX GRAIN DIMENSION:	1,5 mm
POWER:	2,2 kW
WATER PUMP:	0,37KW - 40 lt/min
PRICE:	



PLASTER MIXER AND SPRAYER

COMPLETE OF:

- 1 PRODUCT TUBE Ø25 x 15 M
- 1 WATER PIPE Ø19 x 40 M WITH GEKA
- 1 CONCRETE TUBE Ø19 x 2 M
- 1 ELECTRIC CABLE 20 M WITH PLUG
- 1 ELECTRIC REMOTE CONTROL 15 M
- 1 RELEASE KEY
- 1 TOOL FOR CLEANING OF THE MIXING TUBE
- 1 CAN OF PRODUCT FOR ROTOR / STATOR ASSEMBLY
- 2 CLEANING BALLS



EASY-TO-USE CONTINUOUS MIXING PUMP WITH A HIGH YIELD. SUITABLE FOR FLOOR SCREED, PLASTER, AIR INSULATION, FIREPROOF PRODUCTS, LIGHT POWDERS (POLYSTYRENE) ... PRODUCTS WITH INSTANT KNEADING AND NO NEED FOR REST TIME.

CODE:	MA3701
FLOW:	26 lt/min
PRESSURE:	0-20 bar
HOPPER CAPACITY::	70 lt
POWER:	2,2 kW 230 V - 50 Hz
MAX HOSE LENGHT:	100 m
PRICE:	

PLASTER SPRAYING MACHINE

FOR APPLICATION OF OUTER
INSULATING PRODUCTS



COMPACT PRO 15

CODE:	MA0870
FLOW:	from 0 to 15 kg/min
MAX WORKING PRESSURE:	20 bar
MAX GRAIN DIMENSION:	4 mm
POWER:	1,5 kW
ROTOR/STATOR:	MAP 3
REQUIRED AIR:	366 lt/min
HOPPER CAPACITY:	59 lt
PRICE:	

COMPACT PRO 25

CODE:	MA0875
FLOW:	from 0 to 25 kg/min
MAX WORKING PRESSURE:	30 bar
MAX GRAIN DIMENSION:	4 mm
POWER:	2,2 kW
ROTOR/STATOR:	MIXER 26
REQUIRED AIR:	366 lt/min
HOPPER CAPACITY:	59 lt
PRICE:	



COMPACT PRO 35

CODE:	MA0485
FLOW:	from 0 to 30 kg/min
MAX WORKING PRESSURE:	40 bar
MAX GRAIN DIMENSION:	3 mm
POWER:	2,2 kW
ROTOR/STATOR:	MAP 7
REQUIRED AIR:	366 lt/min
HOPPER CAPACITY:	100 lt
PRICE:	



WALL JOINTS SPRAY MACHINES



COMPACT PRO 10

CODE:	E30382
FLOW:	from 0 to 8 kg/min
MAX WORKING PRESSURE:	20 bar
MAX GRAIN DIMENSION:	1,5 mm
POWER:	0,55 kW - 1 Cv
ROTOR/STATOR:	MAP 3 Fresato
HOPPER CAPACITY:	37 lt
PRICE:	

PLASTER MIXER AND SPRAYER



PROJECT 4P

CODE:	VSEC01051
FLOW:	from 0 to 4 kg/min
MAX WORKING PRESSURE:	30 bar
MAX GRAIN DIMENSION:	1,5 mm
HOSE LENGHT:	5 mt
POWER:	0,55 kW - 1 Cv
ROTOR/STATOR:	MAP 3
HOPPER CAPACITY:	20 lt
PRICE:	

PROJECT 430+

SPRAYING SYSTEM COMPLETE WITH
AIR COMPRESSOR 366 LT / MIN

CODE:	VSEC3013
FLOW:	from 0 to 4 kg/min
MAX WORKING PRESSURE:	30 bar
MAX GRAIN DIMENSION:	1,5 mm
HOSE LENGHT:	5 mt
POWER:	0,55 kW - 1 Cv
ROTOR/STATOR:	MAP 3
HOPPER CAPACITY:	20 lt
PRICE:	



PROJECT 840

SPRAYING SYSTEM COMPLETE WITH
AIR COMPRESSOR 546 LT / MIN

CODE:	VSEC3014
FLOW:	from 0 to 12 kg/min
MAX WORKING PRESSURE:	30 bar
MAX GRAIN DIMENSION:	1,5 mm
HOSE LENGHT:	8+5 mt
POWER:	3 kW - 4 HP
ROTOR/STATOR:	MAP 2
HOPPER CAPACITY:	45 lt
PRICE:	



PLASTER SPRAYER ACCESSORIES



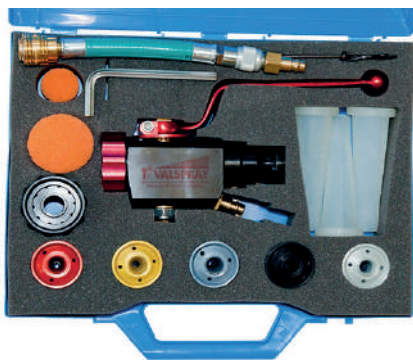
CODE	DESCRIPTION	PRICE
S90862	Nozzle gasket for lances	
EURO10043	Green nozzle \varnothing 3mm	
EURO10044	Blue nozzle \varnothing 4mm	
EURO10045	Red nozzle \varnothing 5mm	
EURO10046	Yellow nozzle \varnothing 6mm	
EURO10047	Anthracite nozzle \varnothing 7mm	
EURO10048	Black nozzle \varnothing 8mm	
EURO10050	Grey nozzle \varnothing 10mm	
EURO10052	Grey nozzle \varnothing 12mm	

CODE	DESCRIPTION	PRICE
EURO90566	Cleaning ball \varnothing 50	
EURO20005	Cleaning ball \varnothing 30	



CODE	DESCRIPTION	PRICE
EURO30446	Stator rotor kit MAP 6	
EURO30479	Stator rotor kit MAP 3	
EURO90640	Product for mounting rotor / stator	

CODE	DESCRIPTION	PRICE
EURO103507	Spraying extension 50 cm	
EURO103502	Spraying extension 100 cm	
EURO103503	Spraying extension 150 cm	



CODE	DESCRIPTION	PRICE
AB12045	<p>The briefcase contains:</p> <ul style="list-style-type: none"> 1 lance gun in ABS thermal coat 1 air regulation kit 1 ring nut for assembling the grouting joints 3 grouting holes \varnothing10, 12 and 14 5 spraying nozzles \varnothing 6, 7, 8, 10 and 12 1 cleaning ball \varnothing 30 1 cleaning ball \varnothing 50 1 7 mm Allen key 1 burin for cleaning 	

CODE	DESCRIPTION	PRICE
AB50049	Light extension for air and material hose \varnothing 25 lenght 5 mt	
AB50050	Extension for air and material hose \varnothing 32 lenght 10 mt	
AB12076	Extension for air and material hose \varnothing 32 lenght 20 mt	



WALL INJECTION PUMPS



VS 36M

**IDEAL FOR INJECTING LOW VISCOSITY RESINS
COMPLETE WITH 3 TUBES OF 5 M AND 3 INJECTOR KITS WITH VALVE**

CODE:	212497
FLOW:	36 lt/min
PRESSURE RATIO:	1:1
WORKING PRESSURE:	2 - 8 bar
PRICE:	

VS 100M

**IDEAL FOR THE APPLICATION OF PLASTIC AND GRANULAR PRODUCTS
COMPLETE WITH 10 M HOSE AND 825H SPRAY GUN WITH Ø 4/6/8 MM NOZZLES**

CODE:	212498
FLOW:	180 lt/min
PRESSURE RATIO:	1:1
WORKING PRESSURE:	2 - 8 bar
PRICE:	



**MANUAL GUN IDEAL FOR TWO-COMPONENT SYSTEMS
FIELDS OF USE: WALL INJECTIONS - RESINS**

CODE:	RES12300
WORKING PRESSURE:	0 - 200 bar
PRICE:	

CODE	DESCRIPTION	PRICE
0323INZ	Injector kit complete with 3 injectors with pressure gauge 0-12 bar	
INI0003	Stainless steel wall injector with inside Ø 8 mm reusable with 1/4 M connection	



WALL INJECTION PUMPS



SILVER 92K

HYDRAULIC AIRLESS PISTON PUMP DESIGNED FOR THE INJECTION OF BI-COMPONENT PRODUCTS COMPLETE WITH 10MT HOSES, SUCTION HOSES AND INJECTION GUN

CODE:	SILVER92K
FLOW:	9 lt/min
MIXING RATIO:	1:1
ENGINE POWER:	3 HP
MAX PRESSURE:	220 bar

PRICE:

VS2P INIEZIONE

AIRLESS PISTON PUMP DESIGNED FOR THE INJECTION OF BI-COMPONENT PRODUCTS COMPLETE WITH 10MT HOSES, SUCTION HOSES AND INJECTION GUN

CODE:	VS2PINZ
FLOW:	16 lt/min
MIXING RATIO:	1:1
PRESSURE RATIO:	30:1
WORKING PRESSURE:	7 bar

PRICE:



VTN 401 INIEZIONE

AIRLESS PISTON PUMP COMPLETE WITH 10MT HOSES, SUCTION HOSES AND INJECTION GUN

CODE:	TN401INZ
FLOW:	8 lt/min
PRESSURE RATIO:	40:1
MAX PRESSURE:	7 bar

PRICE:



PUMP FOR WALL COVERINGS



VS 2P RIVESTIMENTI 100%

AIRLESS PISTON PUMP DESIGNED TO SPRAY WALL COVERINGS WITH BI-COMPONENT PRODUCTS COMPLETE WITH 10MT HOSES, SUCTION HOSES AND DOUBLE SPRAY GUN

CODE:	VS2PRIV
FLOW:	16 lt/min
MIXING RATIO:	1:1
PRESSURE RATIO:	30:1
WORKING PRESSURE:	7 bar
PRICE:	

MIXERS

CODE:	DP-M209B	EV23368.000
POWER SUPPLY:	230 V - 50 Hz	230 V - 50 Hz
POWER:	1600 W	1300 W
IDLE SPEED:	700 rpm/min	700 rpm/min
CONNECTION:	1/2" 20 UNF + M 1/4"	1/2" 20 UNF + M 1/4"
MAX MIXER Ø:	140 mm	160 mm
PRICE:		



CODE	DESCRIPTION	PRICE
UG120/25	Cage mixer	
FM120/130	Circular mixer	

VACUUM CLEANERS

AERO 26-21PC



THE COMPACT ERGONOMIC VACUUM CLEANER WITH HIGH SUCTION POWER AND PATENTED CLEANING SYSTEM PUSH & CLEAN FOR BOTH POWDERS AND LIQUIDS

CODE:	RUR107406606
POWER:	1000 W
POWER SUPPLY:	230 V - 50 Hz
MAX FLOW:	60 lt/s
TANK CAPACITY:	25 lt
POWER CONSUPTION:	2600 W
CONNECTION:	ø 40 mm
PRICE:	

ATTIX 33-2L IC

THE BRAND NEW VACUUM CLEANER EQUIPPED WITH THE EFFECTIVE INFINICLEN FILTER CLEANING SYSTEM. THIS INNOVATIVE SYSTEM ALLOWS CONSTANT FILTER CLEANING WITHOUT ANY DROP IN PERFORMANCE.

CODE:	RUR107412180
POWER:	1400 W
POWER SUPPLY:	230 V - 50 Hz
MAX FLOW:	75 lt/s
TANK CAPACITY:	33 lt
POWER CONSUPTION:	2400 W
CONNECTION:	ø 40 mm
PRICE:	



AGS 1/33H

EQUIPPED WITH CLASS H CERTIFICATION, RELATING TO ALL HIGH-RISK DUST SUCH AS ASBESTOS. THE ASPIRATOR FILTER RETAINS OVER 99.995% OF DUST WITH A GRAIN SIZE OF LESS THAN 1 MICRON (INCLUDING CARCINOGENIC DUST AND DUST CONTAMINATED WITH CARCINOGENIC AND / OR PATHOGENIC AGENTS).



CODE:	RUD15102
POWER:	1200 W
DEPRESSION:	2470 mm H2O
POWER SUPPLY:	200-240 V - 50 Hz
MAX FLOW:	210 m3/h
TANK CAPACITY:	33 lt in steel
FILTERING CAPACITY:	10.500 cm2
CONNECTION:	ø 38 mm
PRICE:	

PLASTER GUNS



CODE:	BE-72EC	BE-34PP
NOZZLE:	4 MM	4MM
CUP:	1 lt	-
PRICE:		

THE PACKAGE INCLUDES:

- 1 Gun with tank / lower connection
- 1 Nozzle \varnothing 6 and \varnothing 8 mm
- 1 Cleaning kit
- 1 multipurpose key

PLASTERING BUCKET FOR WALLS

CODE:	E012400P4
CONSUMPTION:	400 - 600 lt/min
PERFORMANCE:	50 - 60 m ² /h
PRESSURE:	4 - 6 bar
PRICE:	



PLASTERING BUCKET FOR CIELING



CODE:	E012400s4
CONSUMPTION:	400 - 600 lt/min
PERFORMANCE:	50 - 60 m ² /h
PRESSURE:	4 - 6 bar
PRICE:	

BATTERY POWERED SPRAY GUN



COMPLETE WITH:

- 2 18V LITHIUM BATTERIES
- 2 FFLP 410 + 514 NOZZLES
- 1 BATTERY CHARGER
- 1 CUP OF 1 LT
- 1 60 MESH FILTER
- 1 100 MESH FILTER
- 1 RAC X NOZZLE GUARD

ULTRAMAX HH

AN AIRLESS BATTERY POWERED SPRAY GUN FOR SPRAYING WATER AND SOLVENT BASED GLAZES. IDEAL FOR USE WITH SMALL OBJECTS OR FOR RETOUCHING OF COLOR ON SURFACES

CODE:	17P258
WORKING PRESSURE:	34-138 bar
MAX TIP SIZE:	0.016"
BATTERY:	18V lithium 2,0 Ah XR DEWALT®
MAX PERFORMANCE:	210 m3/h
CUP CAPACITY:	1 lt
PRICE:	

ACCESSORIES:

CODE	DESCRIPTION	PRICE
17A226	Disposable cup FlexLiner 0,95 l pkg. 3 pcs	
17P557	Compact 18V battery pack DEWALT lithium ion	
17P551	1 liter Flexliner system (for solvent resistant materials)	
FFLPXXX	Tips RAC X FF LP SwitchTips	
17P573	Plastic nozzle guard 7/8" for RAC X	



TURBINE HVLP

WITH THE HVLP-SERIES, THE AIRLESSCO OFFER GETS COMPLETED WITH A SET OF HVLP SPRAYERS, COVERING ALL FINE FINISH JOBS WITH OPTIMAL FINISH QUALITY AT MINIMAL OVERSPRAY. BOTH TURBINES GET SHIPPED WITH TOP OF THE LINE SPRAY GUNS, 1 LITER CUP, A FLEXIBEL AIR HOSE AND MOTOR SPEED REGULATION AT THE UNIT .



HV 3000 COMFORT

CODE:	16P545
MAX PRESSURE:	0.5 bar
TURBINE:	3 stages
HOSE LENGHT:	6 mt
MAX USAGE:	20 m ² per day
WEIGHT:	8 kg
CUP CAPACITY:	1 lt
PRICE:	

HV 4000 LUXE

POWERED BY A 4 STAGES TURBINE AND LOADED WITH LATEST TECHNOLOGICAL FEATURES, WITH TURBINE THAT SHUTS OFF AUTOMATICALLY, IF NO AIR IS NEEDED AT THE GUN

CODE:	16P546
MAX PRESSURE:	0.6 bar
TURBINE:	4 stages
HOSE LENGHT:	6 mt + 1.2 mt
MAX USAGE:	50 m ² per day
WEIGHT:	11 kg
CUP CAPACITY:	1 lt
PRICE:	



CODE	DESCRIPTION	PRICE
17P655	HVLP Comfort turbine gun	
244132	Metal cup 1 lt	
17P485	Nozzle kit for turbine ø 0.8mm	
17P486	Nozzle kit for turbine ø 1.3mm	
17P487	Nozzle kit for turbine ø 1.8mm	
17P488	Nozzle kit for turbine ø 2.2mm	
17P489	Nozzle kit for turbine ø 2.5mm	
17P490	Nozzle kit for turbine ø2.8mm	
17R300	Air hose 6 mt	
257159	Air hose 9 mt	

TURBINE HVLP



MULTIRIGO TMR 80

MULTIRIGO TURBINE WITH AIR FLOW REGULATOR COMPLETE WITH AIRBRUSH WITH LOWER TANK AND 3 M AIR HOSE

CODE:	RIG001
POWER SUPPLY:	230 V - 50 Hz
HOSE LENGHT:	3 mt
AIR VOLUME:	535 - 1850 lt/min
WEIGHT:	5 kg
CUP CAPACITY:	1 lt
PRICE:	

CODE	DESCRIPTION	PRICE
RIG003	Multirigo compressor 800W	
RIG004	Spray gun ø 1.3 mm with nylon superior cup lt 0.6 and nozzle ø 2,5	
RIG006	Spray gun ø 1.3 mm with inferior tank lt 1 and nozzle ø 2,5 + ø1,7	
RIG005	Nozzle for spray gun (available dimension: 0.5 - 0.7 - 1.0 - 1.3 - 1.7 - 2.1 - 2.5)	
RIG007	Rigo thermosyphone kit	
RIG008	Air hose 3 mt	
RIG009	Filter for turbine	



CODE:	E00V203	E00V204	E00V205
NOZZLE:	1.0 MM	1.5MM	2.5 MM
THREAD:	18 x 25 mm	18 x 25 mm	18 x 25 mm
PRICE:			

THE PACKAGE INCLUDES:

- 1 Gun with nozzle
- 1 Viscometer
- 1 Cleaning kit
- 1 multipurpose key

CODE:	E000201	E000202	E000203
NOZZLE:	1.0 MM	1.5MM	2.5 MM
THREAD:	1 lt	1 lt	1 lt
PRICE:			

THE PACKAGE INCLUDES:

- 1 Gun with lower tank lt. 1
- 1 Male quick coupling 13mm
- 1 Viscometer
- 1 Cleaning kit
- 1 multipurpose key



TURBINES HVLP



EOLE T5

POWERFUL, QUICK START, HANDY, EASY TO USE, THE EOLE T5 TURBINE IS IDEAL FOR ANY PAINT AND DECORATION JOBS

THE PACKAGE INCLUDES:

- 1 Eole T5 turbine
- 1 gun equipped with a \varnothing 1.5 mm nozzle
- 1 x 7.5m hose equipped with ball quick couplings
- 1 viscometer
- 1 cleaning brush
- 1 cleaning needle
- 1 multi-purpose key

CODE:	E30955VS
MAX PRESSURE:	0.67 bar
TURBINE:	5 stages
HOSE LENGHT:	7.5 mt
POWER:	1700 W
WEIGHT:	19 kg
CUP CAPACITY:	1 lt
PRICE:	

EOLE T2

POWERFUL, QUICK START, HANDY, EASY TO USE, THE EOLE T5 TURBINE IS IDEAL FOR ANY PAINT AND DECORATION JOBS

CODE:	E30950VS
MAX PRESSURE:	0.3 bar
TURBINE:	2 stages
HOSE LENGHT:	4 mt
POWER:	1100 W
WEIGHT:	19 kg
CUP CAPACITY:	1 lt

PRICE:

THE PACKAGE INCLUDES:

- 1 Eole T2 turbine
- 1 gun equipped with a \varnothing 1.5 mm nozzle
- 1 x 4m hose equipped with ball quick couplings
- 1 viscometer
- 1 cleaning brush
- 1 cleaning needle
- 1 multi-purpose key



EOLE T1

THE SMALLEST TURBINE ON THE MARKET. HANDY, LIGHT AND EASY TO USE, IT IS IDEAL FOR SMALL JOBS

THE PACKAGE INCLUDES:

- 1 gun equipped with a \varnothing 1.5 mm nozzle
- 1 nozzle \varnothing 2.5 mm
- 1 needle \varnothing 2.5 mm
- 1 viscometer
- 1 cleaning brush
- 1 cleaning pin
- 1 multipurpose key

CODE:	003310
MAX PRESSURE:	0.2 bar
POWER:	175 W
WEIGHT:	1,8 kg
CUP CAPACITY:	1 lt
PRICE:	



PRESSURE WASHERS

COLD WATER



**COMPLETE WITH 1200MM ATHERMIC
LANCE WITH PROFESSIONAL GUN
AND 10M HOSE**

PRESSURE WASHER HEAVY DUTY BXS

**DESIGNED FOR DAILY USE IN CLEANING BUILDINGS, MACHINERY, VEHICLES AND APPLIANCES.
EXCELLENT FOR CLEANING OF ENCRUSTED AND STUBBORN DIRT, WITH THEIR PRESSURE AND FLOW RATE,
HEAVY DUTY PRESSURE WASHERS FAVOR THE WASHING OF LARGE SURFACES WITH REDUCED CONSUMPTION.**

CODE:	023341	023342
MAX PRESSURE:	500 bar	500 bar
FLOW:	15 lt/min	21 lt/min
SPEED:	1450 g/min	1450 g/min
HOSE LENGHT:	10 m	10 m
POWER:	25 Cv (18,6 kW)	30 Cv (22kW)
MOTOR:	Gasoline engine	Elettric 400 V
PRICE:		

PRESSURE WASHERS

COMPLETE WITH LANCE WITH
920 MM AUTOMATIC GUN AND
10 M HOSE



COLD WATER

PRESSURE WASHER BTS

PROFESSIONAL STAND-ALONE UNIT WITH GASOLINE ENGINE SUITABLE FOR WORKING IN SECTORS WHERE THERE IS NO ELECTRICITY.

CODE:	023340	023344
MAX PRESSURE:	200 bar	280 bar
FLOW:	15 lt/min	18 lt/min
SPEED:	1450 g/min	1450 g/min
HOSE LENGHT:	10 m	10 m
POWER:	13 Cv (9,6 kW)	15 Cv (11kW)
MOTOR:	Gasoline engine	Gasoline engine
PRICE:		



COLD WATER

PRESSURE WASHER BKM

COMPACT PROFESSIONAL STAND-ALONE UNIT COMPLETE WITH
PROFESSIONAL LANCE AND 10 M HOSE

CODE:	231436
MAX PRESSURE:	150 bar
FLOW:	10 lt/min
SPEED:	1450 g/min
HOSE LENGHT:	10 m
POWER:	3 Cv (2,2 kW)
MOTOR:	230 V 50 Hz
PRICE:	

PRESSURE WASHERS



COLD WATER

PRESSURE WASHER BTK

PROFESSIONAL STAND-ALONE UNIT WITH ELECTRIC MOTOR DESIGNED FOR DAILY USE AND INTENSIVE CLEANING OF BUILDINGS, MACHINERY, VEHICLES AND APPLIANCES.

CODE:	023143	023144
MAX PRESSURE:	200 bar	300 bar
FLOW:	21 lt/min	18 lt/min
SPEED:	1450 g/min	1450 g/min
HOSE LENGTH:	10 m	10 m
POWER:	10 Cv (7,5 kW)	15 Cv (11kW)
MOTOR:	400 V 50 Hz	400 V 50 Hz
PRICE:		

PRESSURE WASHER BSA

COMPACT PROFESSIONAL STAND-ALONE UNIT COMPLETE WITH PROFESSIONAL LANCE AND 10 M HOSE



HOT WATER

CODE:	023243
MAX PRESSURE:	200 bar
FLOW:	21 lt/min
SPEED:	1450 g/min
HOSE LENGTH:	10 m
POWER:	10 Cv (7,5 kW)
MOTOR:	400 V 50 Hz
PRICE:	

PRESSURE WASHERS ACCESSORIES



CODE	DESCRIPTION	PRICE
3.020.22.023	Sandblasting kit for pressure up to maximum 350 bar	

CODE
G-06WW03

DESCRIPTION
Extended lance for pressure up to maximum 350 bar

PRICE



CODE
11136-G-09

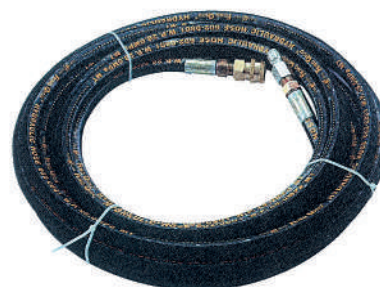
DESCRIPTION
Lance for pressure up to maximum 224 bar

PRICE

CODE
91334
91335

DESCRIPTION
hose 10 m for max pressure up to 400 bar
hose 20 m for max pressure up to 400 bar

PRICE



UGTR0004



UGTR0003



CODE
UGTR0004
UGTR0003

DESCRIPTION
Round nozzle for max pressure up to 250 bar
Round nozzle for max pressure up to 250 bar

PRICE

DIY AND CRAFTS



PROFESSIONAL TURBINES
FOR SMALL JOBS AND
TOUCH-UPS

ELECTRIC TURBINES FOR
DO-IT-YOURSELF JOBS AND
CRAFTS



PUMPS FOR OCCASIONAL
USE OR SMALL JOBS

ELECTRIC SPRAY GUN

TURBINE T-10

COMPLETE WITH NOZZLE, 1000 CC CUP, 1 M AIR HOSE
AND 2 M POWER CABLE



CODE:	T10C12
MAX PRESSURE:	1 bar
FLOW:	270 ml/min
AIR HOSE LENGHT:	1 m
NOZZLE:	1.2 mm
CUP:	1000 cc
POWER:	230 V - 800W
PRICE:	

TURBINE T-8

COMPLETE WITH NOZZLE, 700 CC CUP, 1 M AIR HOSE
AND 1 M POWER CABLE

CODE:	T8B18
MAX PRESSURE:	0.2 bar
FLOW:	350 ml/min
AIR HOSE LENGHT:	1 m
NOZZLE:	1.8 mm
CUP:	700 cc
POWER:	230 V - 600W
PRICE:	



TURBINE T-20

COMPLETE WITH NOZZLE, 1000 CC CUP AND 1.5 M POWER SUPPLY CABLE



CODE:	T20A20
MAX PRESSURE:	0.2 bar
FLOW:	350 ml/min
NOZZLE:	2.0 mm
CUP:	1000 cc
POWER:	230 V - 600W
PRICE:	

ELECTRIC AIRLESS PUMPS - DIY

SP 380



PISTON AIRLESS PUMP COMPLETE WITH 1/4" 15MT HOSE, PROLIGHT 500 GUN AND ONE ARV515A NOZZLE

CODE:	17G185
FLOW:	1,4 lt/min
MAX PRESSURE:	207 bar
MAX TIP DIMENSION:	0.019"
POWER:	7/8 Hp
POWER SUPPLY:	230 V - 50 Hz
MAX HOSE LENGHT:	15 mt
WEIGHT:	13 kg
PRICE:	

**STANDARD
ACCESSORIES:**



**PUMP
REPAIR KIT**
Cod. 17J759



REVERSIBLE TIP
Cod. ARVXXXXA
ULTRA FINISH TIP
Cod. TUFXXX



TIP GUARD
Cod. AR8555051

VS 410

PISTON AIRLESS PUMP COMPLETE WITH 1/4" 15MT HOSE, VS 818 GUN WITH TIP AND 15CM EXTENSION

CODE:	VS410
FLOW:	2,1 lt/min
MAX PRESSURE:	207 bar
MAX TIP DIMENSION:	0.021"
POWER:	1.2 Cv
POWER SUPPLY:	230 V - 50 Hz
MAX HOSE LENGHT:	15 mt
WEIGHT:	13 kg
PRICE:	



**STANDARD
ACCESSORIES:**



REVERSIBLE TIP
Cod. ARVXXXXA
ULTRA FINISH TIP
Cod. TUFXXX



TIP GUARD
Cod. AR8555051

PUMPS AND SYSTEMS FOR INDUSTRIAL PAINTING



COLOR DOSING SYSTEMS
WITH CATALYSTS AND MIXERS

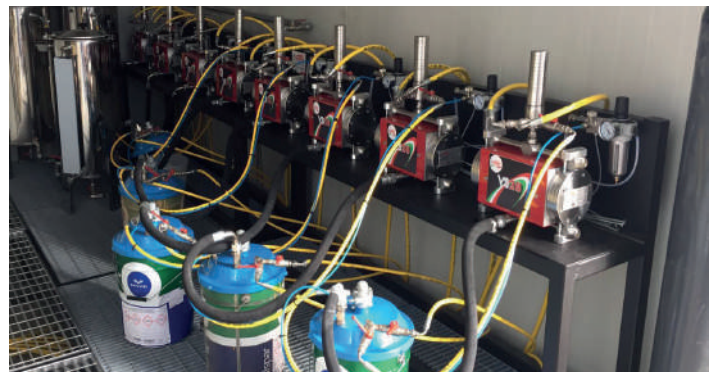
EQUIPMENT FOR THE WOOD,
PLASTIC, GLASS, METAL,
NAVAL, TANNERY, CERAMICS
INDUSTRY AND MUCH MORE



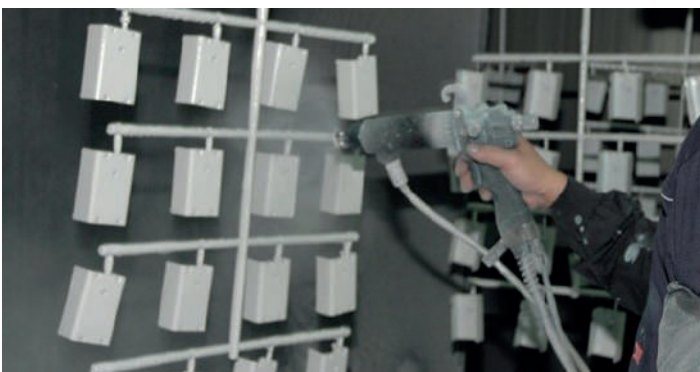
LOW, MEDIUM AND HIGH
PRESSURE PUMPS WITH THE
POSSIBILITY OF COMPLETE
KITS READY FOR USE



TAILOR-MADE SYSTEMS
CUSTOMIZED TO THE
CUSTOMER'S NEEDS



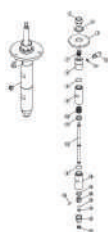
ELECTROSTATIC PAINTING
WITH THE POSSIBILITY OF AN
INSULATED BOX



AIRLESS PISTON PUMP

MADE IN ITALY

SUITABLE FOR THE APPLICATION OF: Industrial paints, Primers, Water-based enamels, Anti-corrosion paints, Polyurethanes, Epoxies, Acrylics.



SPARE PARTS EXPLODED
VIEW VTP 010
Pag. 365



GASKET KIT
Cod. 930323



VTP 010

**AIRLESS PNEUMATIC STAINLESS STEEL PISTON PUMP MOUNTED ON TROLLEY
COMPLETE WITH REDUCING FILTER AND LUBRICATOR AND LINE FILTER**

CODE:	VTP01036
PRESSURE RATIO:	10:1
FLOW:	12 lt/min
MAX PRESSURE:	70 bar
OPERATING PRESSURE:	0 - 7 bar
PRICE:	

AIRMIX STANDARD KIT:

CODE	DESCRIPTION	PRICE
VTP01036	Airless pump VTP 010 mounted on cart complete	
0836912S	Stainless steel paint suction system Ø 19 suction M 1/2" FS 36x2 90° facing up	
611610	Airmix double hose fitted FS 1/4" 10 m	
10200041	VS 41 Airmix manual gun with long filter holder complete with mix nozzle	
COMPLETE KIT PRICE:		



AIRLESS PISTON PUMP

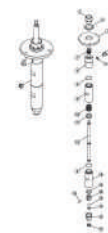
MADE IN ITALY

SUITABLE FOR THE APPLICATION OF: Industrial paints, Primers, Water-based enamels, Anti-corrosion paints, Polyurethanes, Epoxies, Acrylics.

VTS 210

AIRLESS PNEUMATIC STAINLESS STEEL PISTON PUMP MOUNTED ON TROLLEY COMPLETE WITH REDUCING FILTER AND LUBRICATOR AND LINE FILTER

CODE:	TS20100
PRESSURE RATIO:	20:1
FLOW:	12 lt/min
MAX PRESSURE:	140 bar
OPERATING PRESSURE:	0 - 7 bar
PRICE:	



SPARE PARTS EXPLODED VIEW VTS 210
Pag. 365



GASKET KIT
Cod. 930323



AIRMIX STANDARD KIT:

CODE	DESCRIPTION	PRICE
TS20100	Airless pump VTS 210 mounted on cart complete	
0836912S	Stainless steel paint suction system Ø 19 suction M 1/2" FS 36x2 90° facing up	
611610	Airmix double hose fitted FS 1/4" 10 m	
10200041	VS 41 Airmix manual gun with long filter holder complete with mix nozzle	
COMPLETE KIT PRICE:		

AIRLESS STANDARD KIT:

CODE	DESCRIPTION	PRICE
TS20100	Airless pump VTS 210 mounted on cart complete	
0836912S	Stainless steel paint suction system Ø 19 suction M 1/2" FS 36x2 90° facing up	
614104	HP hose 1/4" fitted FG 1/4" 10 m	
VS80500	VS 500 Airless spray gun 11/16"	
AR8555051	Tip guard 11/16" Airlessco	
ARVXXXA	Reversible tip ARV	
COMPLETE KIT PRICE:		



AIRLESS PISTON PUMP

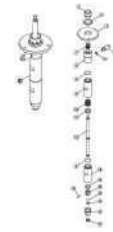
MADE IN ITALY

SUITABLE FOR THE APPLICATION OF: Industrial paints, Primers, Water-based enamels, Anti-corrosion paints, Polyurethanes, Epoxies, Acrylics.

VTS 301/S

AIRLESS PNEUMATIC STAINLESS STEEL PISTON PUMP MOUNTED ON TROLLEY COMPLETE WITH REDUCING FILTER AND LUBRICATOR AND LINE FILTER

CODE:	TS32100
PRESSURE RATIO:	30:1
FLOW:	12 lt/min
MAX PRESSURE:	210 bar
OPERATING PRESSURE:	0 - 7 bar
PRICE:	



SPARE PARTS EXPLODED
VIEW VTS 301/S
Pag. 369



GASKET KIT
Cod. 930323



AIRMIX STANDARD KIT:

CODE	DESCRIPTION	PRICE
TS32100	Airless pump VTS 301/S mounted on cart complete	
0836912S	Stainless steel paint suction system Ø 19 suction M 1/2" FS 36x2 90° facing up	
611610	Airmix double hose fitted FS 1/4" 10 m	
10200041	VS 41 Airmix manual gun with long filter holder complete with mix nozzle	
COMPLETE KIT PRICE:		

AIRLESS STANDARD KIT:

CODE	DESCRIPTION	PRICE
TS32100	Airless pump VTS 301/S mounted on cart complete	
0836912S	Stainless steel paint suction system Ø 19 suction M 1/2" FS 36x2 90° facing up	
614104	HP hose 1/4" fitted FG 1/4" 10 m	
VS80500	VS 500 Airless spray gun 11/16"	
AR8555051	Tip guard 11/16" Airlessco	
ARVXXXA	Reversible tip ARV	
COMPLETE KIT PRICE:		



AIRLESS PISTON PUMP

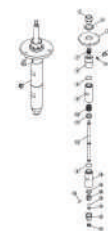
MADE IN ITALY

SUITABLE FOR THE APPLICATION OF: Industrial paints, Primers, Water-based enamels, Anti-corrosion paints, Polyurethanes, Epoxies, Acrylics.

ECO 401 P

AIRLESS PNEUMATIC STAINLESS STEEL PISTON PUMP MOUNTED ON TROLLEY COMPLETE WITH LUBRICATOR AND LINE FILTER

CODE:	ECO401P1
PRESSURE RATIO:	35:1
FLOW:	5 lt/min
MAX PRESSURE:	245 bar
OPERATING PRESSURE:	0 - 7 bar
PRICE:	



SPARE PARTS EXPLODED VIEW ECO 401
Pag. 366



GASKET KIT
Cod. 930321



AIRMIX STANDARD KIT:

CODE	DESCRIPTION	PRICE
ECO401P1	Airless pump ECO 401 P mounted on cart complete	
520001RTA	Nylon tank kit 6 lt for pump with tank, cover and return hose 20x2	
611610	Airmix double hose fitted FS 1/4" 10 m	
10200041	VS 41 Airmix manual gun with long filter holder complete with mix nozzle	
COMPLETE KIT PRICE:		

AIRLESS STANDARD KIT:

CODE	DESCRIPTION	PRICE
ECO401P1	Airless pump ECO 401 P mounted on cart complete	
520001RT	Nylon tank kit 6 lt for pump VS K1 - Complete with tank, cover and return hose 20x2	
614104	HP hose 1/4" fitted FG 1/4" 10 m	
VS80500	VS 500 Airless spray gun 11/16"	
AR8555051	Tip guard 11/16" Airlessco	
ARVXXXA	Reversible tip ARV	
COMPLETE KIT PRICE:		



AIRLESS PISTON PUMP

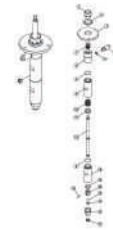
MADE IN ITALY

SUITABLE FOR THE APPLICATION OF: Industrial paints, Primers, Water-based enamels, Anti-corrosion paints, Polyurethanes, Epoxies, Acrylics.

ECO 401 TS

AIRLESS PNEUMATIC STAINLESS STEEL PISTON PUMP MOUNTED ON TROLLEY COMPLETE WITH LUBRICATOR AND LINE FILTER

CODE:	ECO401TS1
PRESSURE RATIO:	35:1
FLOW:	5 lt/min
MAX PRESSURE:	245 bar
OPERATING PRESSURE:	0 - 7 bar
PRICE:	



SPARE PARTS EXPLODED VIEW ECO 401 TS
Pag. 366



GASKET KIT
Cod. 930321



AIRMIX STANDARD KIT:

CODE	DESCRIPTION	PRICE
ECO401TS1	Airless pump ECO 401 TS mounted on cart complete	
520001RTA	Nylon tank kit 6 lt for pump with tank, return hose and U adapter FS36x2 x M36x2 S. Steel	
611610	Airmix double hose fitted FS 1/4" 10 m	
10200041	VS 41 Airmix manual gun with long filter holder complete with mix nozzle	
COMPLETE KIT PRICE:		

AIRLESS STANDARD KIT:

CODE	DESCRIPTION	PRICE
ECO401TS1	Airless pump ECO 401 TS mounted on cart complete	
520001RTA	Nylon tank kit 6 lt for pump with tank, return hose and U adapter FS36x2 x M36x2 S. Steel	
614104	HP hose 1/4" fitted FG 1/4" 10 m	
VS80500	VS 500 Airless spray gun 11/16"	
AR8555051	Tip guard 11/16" Airlessco	
ARVXXXA	Reversible tip ARV	
COMPLETE KIT PRICE:		



AIRLESS PISTON PUMP

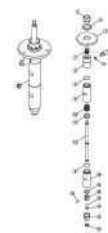
MADE IN ITALY

SUITABLE FOR THE APPLICATION OF: Industrial paints, Primers, Water-based enamels, Anti-corrosion paints, Polyurethanes, Epoxies, Acrylics.

SUPER ECO 25

AIRLESS PNEUMATIC STAINLESS STEEL PISTON PUMP MOUNTED ON TROLLEY COMPLETE WITH REDUCING FILTER AND LUBRICATOR AND LINE FILTER

CODE:	S-ECO25
PRESSURE RATIO:	38:1
FLOW:	8 lt/min
MAX PRESSURE:	266 bar
OPERATING PRESSURE:	0 - 7 bar
PRICE:	



SPARE PARTS EXPLODED VIEW S-ECO 25
Pag. 366



GASKET KIT
Cod. 930321



AIRMIX STANDARD KIT:

CODE	DESCRIPTION	PRICE
S-ECO 25	Airless pump SUPER ECO 25 mounted on cart complete	
520001RTA	Nylon tank kit 6 lt for pump with tank, return hose and U adapter FS36x2 x M36x2 S. Steel	
611610	Airmix double hose fitted FS 1/4" 10 m	
10200041	VS 41 Airmix manual gun with long filter holder complete with mix nozzle	
COMPLETE KIT PRICE:		

AIRLESS STANDARD KIT:

CODE	DESCRIPTION	PRICE
S-ECO 25	Airless pump SUPER ECO 25 mounted on cart complete	
520001RTA	Nylon tank kit 6 lt for pump with tank, return hose and U adapter FS36x2 x M36x2 S. Steel	
614104	HP hose 1/4" fitted FG 1/4" 10 m	
VS80500	VS 500 Airless spray gun 11/16"	
AR8555051	Tip guard 11/16" Airlessco	
ARVXXXA	Reversible tip ARV	
COMPLETE KIT PRICE:		



AIRLESS PISTON PUMP

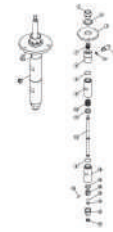
MADE IN ITALY

SUITABLE FOR THE APPLICATION OF: Industrial paints, Primers, Water-based enamels, Anti-corrosion paints, Polyurethanes, Epoxies, Acrylics.

VTN 321

**AIRLESS PNEUMATIC STAINLESS STEEL PISTON PUMP MOUNTED ON TROLLEY
COMPLETE WITH REDUCING FILTER AND LUBRICATOR AND LINE FILTER**

CODE:	TN32100
PRESSURE RATIO:	30:1
FLOW:	8 lt/min
MAX PRESSURE:	210 bar
OPERATING PRESSURE:	0 - 7 bar
PRICE:	



**SPARE PARTS EXPLODED
VIEW VTN 321
Pag. 368**



**GASKET KIT
Cod. 930321**



AIRMIX STANDARD KIT:

CODE	DESCRIPTION	PRICE
TN32100	Airless pump VTN 321 mounted on cart complete	
0836912S	Stainless steel paint suction system Ø 19 suction M 1/2" FS 36x2 90° facing up	
611610	Airmix double hose fitted FS 1/4" 10 m	
10200041	VS 41 Airmix manual gun with long filter holder complete with mix nozzle	
COMPLETE KIT PRICE:		

AIRLESS STANDARD KIT:

CODE	DESCRIPTION	PRICE
TN32100	Airless pump VTN 321 mounted on cart complete	
0836912S	Stainless steel paint suction system Ø 19 suction M 1/2" FS 36x2 90° facing up	
614104	HP hose 1/4" fitted FG 1/4" 10 m	
VS80500	VS 500 Airless spray gun 11/16"	
AR8555051	Tip guard 11/16" Airlessco	
ARVXXXA	Reversible tip ARV	
COMPLETE KIT PRICE:		



AIRLESS PISTON PUMP

MADE IN ITALY

SUITABLE FOR THE APPLICATION OF: Industrial paints, Primers, Water-based enamels, Anti-corrosion paints, Polyurethanes, Epoxies, Acrylics.

VTN 401

AIRLESS PNEUMATIC STAINLESS STEEL PISTON PUMP MOUNTED ON TROLLEY COMPLETE WITH REDUCING FILTER AND LUBRICATOR AND LINE FILTER

CODE:	TN40100
PRESSURE RATIO:	40:1
FLOW:	8 lt/min
MAX PRESSURE:	280 bar
OPERATING PRESSURE:	0 - 7 bar
PRICE:	



SPARE PARTS EXPLODED VIEW VTN 401
Pag. 367



GASKET KIT
Cod. 930321



AIRMIX STANDARD KIT:

CODE	DESCRIPTION	PRICE
TN40100	Airless pump VTN 401 mounted on cart complete	
0836912S	Stainless steel paint suction system Ø 19 suction M 1/2" FS 36x2 90° facing up	
611610	Airmix double hose fitted FS 1/4" 10 m	
10200041	VS 41 Airmix manual gun with long filter holder complete with mix nozzle	
COMPLETE KIT PRICE:		

AIRLESS STANDARD KIT:

CODE	DESCRIPTION	PRICE
TN40100	Airless pump VTN 401 mounted on cart complete	
0836912S	Stainless steel paint suction system Ø 19 suction M 1/2" FS 36x2 90° facing up	
614104	HP hose 1/4" fitted FG 1/4" 10 m	
VS80500	VS 500 Airless spray gun 11/16"	
AR8555051	Tip guard 11/16" Airlessco	
ARVXXXA	Reversible tip ARV	
COMPLETE KIT PRICE:		



AIRLESS PISTON PUMP

SUITABLE FOR THE APPLICATION OF: Industrial paints, marine paints, thixotropic paints, primers, water-based enamels, anti-corrosion paints, polyurethanes, epoxies.

VSTF 051 FE



AIRLESS PNEUMATIC PISTON PUMP MOUNTED ON TROLLEY COMPLETE WITH REDUCING FILTER AND LUBRICATOR AND LINE FILTER

CODE:	VSTX0051
PRESSURE RATIO:	5:1
FLOW:	15 lt/min
MAX PRESSURE:	70 bar
OPERATING PRESSURE:	0 - 7 bar

PRICE:



GASKET KIT
Cod. R28S200



AIR MOTOR KIT
Cod. R281100-W

AIRMIX STANDARD KIT:

CODE	DESCRIPTION	PRICE
VSTX0051	Airless pump VSTF 051 FE mounted on cart complete	
090001	S. Steel dispersion suction system with hose Ø 25 and suction M 28x1,5 with nut FS 1"	
611610	Airmix double hose fitted FS 1/4" 10 m	
10200041	VS 41 Airmix manual gun with long filter holder complete with mix nozzle	
COMPLETE KIT PRICE:		



AIRLESS PISTON PUMP

SUITABLE FOR THE APPLICATION OF: Industrial paints, marine paints, thixotropic paints, primers, water-based enamels, anti-corrosion paints, polyurethanes, epoxies.

WIN 281 INOX

AIRLESS PNEUMATIC STAINLESS STEEL PISTON PUMP MOUNTED ON TROLLEY COMPLETE WITH REDUCING FILTER AND LUBRICATOR AND LINE FILTER

CODE:	H28S000
PRESSURE RATIO:	28:1
FLOW:	3,7 lt/min
MAX PRESSURE:	196 bar
OPERATING PRESSURE:	3 - 7 bar

PRICE:



GASKET KIT
Cod. R28S200



NARE AIR MOTOR KIT
Cod. R281100-W



AIRMIX STANDARD KIT:



CODE	DESCRIPTION	PRICE
H28S000	Airless pump WIN 281 INOX mounted on cart complete	
0803412	S. steel paint suction system with hose Ø 19 and suction M 1/2" FS 3/4"	
611610	Airmix double hose fitted FS 1/4" 10 m	
10200041	VS 41 Airmix manual gun with long filter holder complete with mix nozzle	
COMPLETE KIT PRICE:		

AIRLESS STANDARD KIT:

CODE	DESCRIPTION	PRICE
H28S000	Airless pump WIN 281 INOX mounted on cart complete	
0803412	S. steel paint suction system with hose Ø 19 and suction M 1/2" FS 3/4"	
614104	HP hose 1/4" fitted FS 1/4" 10 m	
VS80500	VS 500 Airless spray gun 11/16"	
AR8555051	Tip guard 11/16" Airlessco	
ARVXXXA	Reversible tip ARV	
COMPLETE KIT PRICE:		



AIRLESS PISTON PUMP

SUITABLE FOR THE APPLICATION OF: Industrial paints, primers, water-based enamels, anti-corrosion paints, polyurethanes, epoxies.

PRO 301 FE

AIRLESS PNEUMATIC PISTON PUMP MOUNTED ON TROLLEY COMPLETE WITH REDUCING FILTER AND LUBRICATOR AND LINE FILTER

CODE:	H28000W
PRESSURE RATIO:	28:1
FLOW:	3,7 lt/min
MAX PRESSURE:	196 bar
OPERATING PRESSURE:	3 - 7 bar

PRICE:



GASKET KIT
Cod. R10200



HEMI AIR MOTOR KIT
Cod. 17100



AIRMIX STANDARD KIT:



CODE	DESCRIPTION	PRICE
H28000W	Airless pump PRO 301 FE mounted on cart complete	
0603412	Paint suction system with hose Ø 19 and suction M 1/2" FS 3/4"	
611610	Airmix double hose fitted FS 1/4" 10 m	
10200041	VS 41 Airmix manual gun with long filter holder complete with mix nozzle	
COMPLETE KIT PRICE:		

AIRLESS STANDARD KIT:

CODE	DESCRIPTION	PRICE
H28000W	Airless pump PRO 301 FE mounted on cart complete	
0603412	Paint suction system with hose Ø 19 and suction M 1/2" FS 3/4"	
614104	HP hose 1/4" fitted FS 1/4" 10 m	
VS80500	VS 500 Airless spray gun 11/16"	
AR8555051	Tip guard 11/16" Airlessco	
ARVXXXA	Reversible tip ARV	
COMPLETE KIT PRICE:		



AIRLESS PISTON PUMP

SUITABLE FOR THE APPLICATION OF: Industrial paints, primers, water-based enamels, anti-corrosion paints, polyurethanes, epoxies.

PRO 451 FE

AIRLESS PNEUMATIC PISTON PUMP MOUNTED ON TROLLEY COMPLETE WITH REDUCING FILTER AND LUBRICATOR AND LINE FILTER

CODE:	H45000
PRESSURE RATIO:	45:1
FLOW:	12,5 lt/min
MAX PRESSURE:	315 bar
OPERATING PRESSURE:	3 - 7 bar

PRICE:



GASKET KIT
Cod. R45200



NURI AIR MOTOR KIT
Cod. R45100



AIRMIX STANDARD KIT:



CODE	DESCRIPTION	PRICE
H45000	Airless pump PRO 451 FE mounted on cart complete	
070001	Dispersion suction system with hose \varnothing 25 and suction M 28x1,5 with nut FS 1"	
611610	Airmix double hose fitted FS 1/4" 10 m	
10200041	VS 41 Airmix manual gun with long filter holder complete with mix nozzle	
COMPLETE KIT PRICE:		

AIRLESS STANDARD KIT:

CODE	DESCRIPTION	PRICE
H45000	Airless pump PRO 451 FE mounted on cart complete	
070001	Dispersion suction system with hose \varnothing 25 and suction M 28x1,5 with nut FS 1"	
814104	Double braid hose 1/4" fitted FS 1/4" 10m	
VS80500	VS 500 Airless spray gun 11/16"	
AR8555051	Tip guard 11/16" Airlessco	
ARVXXXA	Reversible tip ARV	
COMPLETE KIT PRICE:		



AIRLESS PISTON PUMP

SUITABLE FOR THE APPLICATION OF: Industrial paints, marine paints, thixotropic paints, primers, water-based enamels, anti-corrosion paints, polyurethanes, epoxies.

PRO TEC 451 INOX

AIRLESS PNEUMATIC STAINLESS STEEL PISTON PUMP MOUNTED ON TROLLEY COMPLETE WITH REDUCING FILTER AND LUBRICATOR AND LINE FILTER

CODE:	H45S000
PRESSURE RATIO:	45:1
FLOW:	4,5 lt/min
MAX PRESSURE:	196 bar
OPERATING PRESSURE:	3 - 7 bar

PRICE:



GASKET KIT
Cod. R45S200



NURI AIR MOTOR KIT
Cod. R45100



AIRMIX STANDARD KIT:



CODE	DESCRIPTION	PRICE
H45S000	Airless pump PRO 451 INOX mounted on cart complete	
090001	S.Steel dispersion suction system with hose Ø25 and suction M 28x1,5 with nut FS 1"	
611610	Airmix double hose fitted FS 1/4" 10 m	
10200041	VS 41 Airmix manual gun with long filter holder complete with mix nozzle	
COMPLETE KIT PRICE:		

AIRLESS STANDARD KIT:

CODE	DESCRIPTION	PRICE
H45S000	Airless pump PRO 451 INOX mounted on cart complete	
090001	S.Steel dispersion suction system with hose Ø25 and suction M 28x1,5 with nut FS 1"	
814104	Double braid hose 1/4" fitted FS 1/4" 10m	
VS80500	VS 500 Airless spray gun 11/16"	
AR8555051	Tip guard 11/16" Airlessco	
ARVXXXA	Reversible tip ARV	
COMPLETE KIT PRICE:		



AIRLESS PISTON PUMP

SUITABLE FOR THE APPLICATION OF: Industrial paints, primers, water-based enamels, anti-corrosion paints, polyurethanes, epoxies.

PRO MAX H56

AIRLESS PNEUMATIC PISTON PUMP MOUNTED ON TROLLEY COMPLETE WITH REDUCING FILTER AND LUBRICATOR AND LINE FILTER

CODE:	H56000PBS
PRESSURE RATIO:	56:1
FLOW:	38,4 lt/min
MAX PRESSURE:	392 bar
OPERATING PRESSURE:	3 - 7 bar

PRICE:



GASKET KIT
Cod. R45D200



MARU AIR MOTOR KIT
Cod. R72100



AIRMIX STANDARD KIT:



CODE	DESCRIPTION	PRICE
H56000PBS	Airless pump PRO MAX H56 mounted on cart complete	
070001	Dispersion suction system with hose Ø 25 and suction M 28x1,5 with nut FS 1"	
611610	Airmix double hose fitted FS 1/4" 10 m	
10200041	VS 41 Airmix manual gun with long filter holder complete with mix nozzle	
COMPLETE KIT PRICE:		

AIRLESS STANDARD KIT:

CODE	DESCRIPTION	PRICE
H56000PBS	Airless pump PRO MAX H56 mounted on cart complete	
070001	Dispersion suction system with hose Ø 25 and suction M 28x1,5 with nut FS 1"	
814104	Double braid hose 1/4" fitted FS 1/4" 10m	
VS80500	VS 500 Airless spray gun 11/16"	
AR8555051	Tip guard 11/16" Airlessco	
ARVXXXA	Reversible tip ARV	
COMPLETE KIT PRICE:		



AIRLESS PISTON PUMP

SUITABLE FOR THE APPLICATION OF: Industrial paints, marine paints, thixotropic paints, primers, water-based enamels, anti-corrosion paints, polyurethanes, epoxies.

PRO MAX H56 INOX

AIRLESS PNEUMATIC STAINLESS STEEL PISTON PUMP MOUNTED ON TROLLEY COMPLETE WITH REDUCING FILTER AND LUBRICATOR AND LINE FILTER

CODE:	H56S000
PRESSURE RATIO:	56:1
FLOW:	38,4 lt/min
MAX PRESSURE:	392 bar
OPERATING PRESSURE:	3 - 7 bar

PRICE:



GASKET KIT
Cod. R45S200



MARU AIR MOTOR KIT
Cod. R72100



AIRMIX STANDARD KIT:



CODE	DESCRIPTION	PRICE
H56S000	Airless pump PRO MAX H56 INOX mounted on cart complete	
090001	S.Steel dispersion suction system with hose Ø25 and suction M 28x1,5 with nut FS 1"	
611610	Airmix double hose fitted FS 1/4" 10 m	
10200041	VS 41 Airmix manual gun with long filter holder complete with mix nozzle	
COMPLETE KIT PRICE:		

AIRLESS STANDARD KIT:

CODE	DESCRIPTION	PRICE
H56S000	Airless pump PRO MAX H56 INOX mounted on cart complete	
090001	S.Steel dispersion suction system with hose Ø25 and suction M 28x1,5 with nut FS 1"	
814104	Double braid hose 1/4" fitted FS 1/4" 10m	
VS80500	VS 500 Airless spray gun 11/16"	
AR855051	Tip guard 11/16" Airlessco	
ARVXXXA	Reversible tip ARV	
COMPLETE KIT PRICE:		



AIRLESS PISTON PUMP

SUITABLE FOR THE APPLICATION OF: Industrial paints, primers, water-based enamels, anti-corrosion paints, polyurethanes, epoxies.

PRO 631 FE

AIRLESS PNEUMATIC PISTON PUMP MOUNTED ON TROLLEY COMPLETE WITH REDUCING FILTER AND LUBRICATOR AND LINE FILTER

CODE:	H63000
PRESSURE RATIO:	63:1
FLOW:	9,7 lt/min
MAX PRESSURE:	441 bar
OPERATING PRESSURE:	3 - 7 bar

PRICE:



GASKET KIT
Cod. R63200



NURI AIR MOTOR KIT
Cod. R45100



AIRMIX STANDARD KIT:



CODE	DESCRIPTION	PRICE
H63000	Airless pump PRO 631 FE mounted on cart complete	
070001	Dispersion suction system with hose Ø 25 and suction M 28x1,5 with nut FS 1"	
611610	Airmix double hose fitted FS 1/4" 10 m	
10200041	VS 41 Airmix manual gun with long filter holder complete with mix nozzle	
COMPLETE KIT PRICE:		

AIRLESS STANDARD KIT:

CODE	DESCRIPTION	PRICE
H63000	Airless pump PRO 631 FE mounted on cart complete	
070001	Dispersion suction system with hose Ø 25 and suction M 28x1,5 with nut FS 1"	
814104	Double braid hose 1/4" fitted FS 1/4" 10m	
VS80500	VS 500 Airless spray gun 11/16"	
AR8555051	Tip guard 11/16" Airlessco	
ARVXXXA	Reversible tip ARV	
COMPLETE KIT PRICE:		



AIRLESS PISTON PUMP

SUITABLE FOR THE APPLICATION OF: Industrial paints, marine paints, thixotropic paints, primers, water-based enamels, anti-corrosion paints, polyurethanes, epoxies.

PRO TEC 681 INOX

AIRLESS PNEUMATIC STAINLESS STEEL PISTON PUMP MOUNTED ON TROLLEY COMPLETE WITH REDUCING FILTER AND LUBRICATOR AND LINE FILTER

CODE:	H68S000
PRESSURE RATIO:	68:1
FLOW:	11 lt/min
MAX PRESSURE:	476 bar
OPERATING PRESSURE:	3 - 7 bar

PRICE:



GASKET KIT
Cod. R68S200



NURI AIR MOTOR KIT
Cod. R68100



AIRMIX STANDARD KIT:



CODE	DESCRIPTION	PRICE
H68S000	Airless pump PRO TEC 681 INOX mounted on cart complete	
090001	S.Steel dispersion suction system with hose Ø25 and suction M 28x1,5 with nut FS 1"	
611610	Airmix double hose fitted FS 1/4" 10 m	
10200041	VS 41 Airmix manual gun with long filter holder complete with mix nozzle	
COMPLETE KIT PRICE:		

AIRLESS STANDARD KIT:

CODE	DESCRIPTION	PRICE
H68S000	Airless pump PRO TEC 681 INOX mounted on cart complete	
090001	S.Steel dispersion suction system with hose Ø25 and suction M 28x1,5 with nut FS 1"	
814104	Double braid hose 1/4" fitted FS 1/4" 10m	
VS80500	VS 500 Airless spray gun 11/16"	
AR8555051	Tip guard 11/16" Airlessco	
ARVXXXA	Reversible tip ARV	
COMPLETE KIT PRICE:		



AIRLESS PISTON PUMP

SUITABLE FOR THE APPLICATION OF: Industrial paints, marine paints, thixotropic paints, primers, water-based enamels, anti-corrosion paints, polyurethanes, epoxies.

PRO MAX H72

AIRLESS PNEUMATIC PISTON PUMP MOUNTED ON TROLLEY COMPLETE WITH REDUCING FILTER AND LUBRICATOR AND LINE FILTER

CODE:	H72000PBS
PRESSURE RATIO:	73:1
FLOW:	29,65 lt/min
MAX PRESSURE:	500 bar
OPERATING PRESSURE:	3 - 7 bar

PRICE:



GASKET KIT
Cod. R63D200



MARU AIR MOTOR KIT
Cod. R72100



AIRLESS STANDARD KIT:

CODE	DESCRIPTION	PRICE
H72000PBS	Airless pump PRO MAX H72 mounted on cart complete	
070001	Dispersion suction system with hose \varnothing 25 and suction M 28x1,5 with nut FS 1"	
814104	Double braid hose 1/4" fitted FS 1/4" 10m	
T507155	T720 Airless manual spray gun 11/16"	
AR8555051	Tip guard 11/16" Airlessco	
ARVXXXA	Reversible tip ARV	
COMPLETE KIT PRICE:		



EXTRUSION PUMPS



PRO 551E

AIRLESS PNEUMATIC PISTON PUMP WITH EXTRUSION PLATE MOUNTED ON PNEUMATIC SUPPORT COMPLETE WITH REDUCING FILTER

CODE:	H55E000
PRESSURE RATIO:	55:1
FLOW:	10 lt/min
MAX PRESSURE:	385 bar
HEIGHT LIFT:	120 mm
OPERATING PRESSURE:	3 - 7 bar
PRICE:	

PRO 551P

AIRLESS PNEUMATIC PISTON PUMP WITH EXTRUSION PLATE MOUNTED ON PNEUMATIC SUPPORT COMPLETE WITH REDUCING FILTER

CODE:	H55P000
PRESSURE RATIO:	50:1
FLOW:	4,5 lt/min
MAX PRESSURE:	350 bar
HEIGHT LIFT:	120 mm
OPERATING PRESSURE:	3 - 7 bar
PRICE:	



PRO 401E

AIRLESS PNEUMATIC PISTON PUMP WITH EXTRUSION PLATE MOUNTED ON PNEUMATIC SUPPORT COMPLETE WITH REDUCING FILTER

CODE:	H40E000
PRESSURE RATIO:	55:1
FLOW:	6,3 lt/min
MAX PRESSURE:	280 bar
HEIGHT LIFT:	120 mm
OPERATING PRESSURE:	3 - 7 bar
PRICE:	



EXTRUSION PUMPS



PRO 401P

AIRLESS PNEUMATIC PISTON PUMP WITH EXTRUSION PLATE MOUNTED ON PNEUMATIC SUPPORT COMPLETE WITH REDUCING FILTER

CODE:	H40P000
PRESSURE RATIO:	40:1
FLOW:	6,3 lt/min
MAX PRESSURE:	280 bar
HEIGHT LIFT:	120 mm
OPERATING PRESSURE:	3 - 7 bar
PRICE:	

PRO 201P

AIRLESS PNEUMATIC PISTON PUMP WITH EXTRUSION PLATE MOUNTED ON PNEUMATIC SUPPORT COMPLETE WITH REDUCING FILTER

CODE:	H20P000
PRESSURE RATIO:	20:1
FLOW:	5,45 lt/min
MAX PRESSURE:	140 bar
HEIGHT LIFT:	100 mm
OPERATING PRESSURE:	3 - 7 bar
PRICE:	



BELLOW PUMPS



PMX 8/30

BELLOW PUMP WITH STAINLESS STEEL PISTON MOUNTED ON TROLLEY COMPLETE WITH REDUCING FILTER AND 2PCS OF SUCTION SYSTEM

CODE:	700830
PRESSURE RATIO:	30:1
FLOW:	8 lt/min
MAX PRESSURE:	180 bar
CYCLE FLOW:	81,4 cc
PRICE:	

PMX 18/22

BELLOW PUMP WITH STAINLESS STEEL PISTON MOUNTED ON TROLLEY COMPLETE WITH REDUCING FILTER AND 2PCS OF SUCTION SYSTEM

CODE:	701822
PRESSURE RATIO:	22:1
FLOW:	18 lt/min
MAX PRESSURE:	132 bar
CYCLE FLOW:	183 cc
PRICE:	



PMX 12/30

BELLOW PUMP WITH STAINLESS STEEL PISTON MOUNTED ON TROLLEY COMPLETE WITH REDUCING FILTER AND 2PCS OF SUCTION SYSTEM

CODE:	701230
PRESSURE RATIO:	30:1
FLOW:	12 lt/min
MAX PRESSURE:	180 bar
CYCLE FLOW:	132 cc
PRICE:	



BI-COMPONENT BELLOW PUMP



PMX 8/30 2C

BI-COMPONENT BELLOW PUMP WITH STAINLESS STEEL PISTON MOUNTED ON TROLLEY COMPLETE WITH REDUCING FILTER AND 2PCS OF SUCTION SYSTEM

CODE:	700830C
PRESSURE RATIO:	30:1
FLOW:	8 lt/min
MAX PRESSURE:	180 bar
CYCLE FLOW:	81,4 cc
PRICE:	

PMX 18/22 2C

BI-COMPONENT BELLOW PUMP WITH STAINLESS STEEL PISTON MOUNTED ON TROLLEY COMPLETE WITH REDUCING FILTER AND 2PCS OF SUCTION SYSTEM

CODE:	701822C
PRESSURE RATIO:	22:1
FLOW:	18 lt/min
MAX PRESSURE:	132 bar
CYCLE FLOW:	183 cc
PRICE:	



PMX 12/30 2C

BI-COMPONENT BELLOW PUMP WITH STAINLESS STEEL PISTON MOUNTED ON TROLLEY COMPLETE WITH REDUCING FILTER AND 2PCS OF SUCTION SYSTEM

CODE:	701230C
PRESSURE RATIO:	30:1
FLOW:	12 lt/min
MAX PRESSURE:	180 bar
CYCLE FLOW:	132 cc
PRICE:	



MEMBRANE TRANSFER PUMPS



DOUBLE MEMBRANE PUMP IN ALUMINIUM WITH RATIO 1:1

CODE:	VAPA15U
FLOW:	36 lt/min
FLUID INLET:	3/8"
AIR INLET:	1/4"
OPERATING PRESSURE:	0 - 7 bar
PRICE:	

DOUBLE MEMBRANE PUMP IN ALUMINIUM WITH RATIO 1:1

CODE:	VAPA20U
FLOW:	48 lt/min
FLUID INLET:	1/2"
AIR INLET:	1/4"
OPERATING PRESSURE:	0 - 7 bar
PRICE:	



DOUBLE MEMBRANE PUMP IN ALUMINIUM WITH RATIO 1:1

CODE:	VAPA31U
FLOW:	180 lt/min
FLUID INLET:	1"
AIR INLET:	3/8"
OPERATING PRESSURE:	0 - 7 bar
PRICE:	

DOUBLE MEMBRANE PUMP IN ALUMINIUM WITH RATIO 1:1

CODE:	VAPA40U
FLOW:	300 lt/min
FLUID INLET:	1 1/2"
AIR INLET:	1/2"
OPERATING PRESSURE:	0 - 7 bar
PRICE:	



DOUBLE MEMBRANE PUMP IN ALUMINIUM WITH RATIO 1:1

CODE:	VAPS50U
FLOW:	580 lt/min
FLUID INLET:	2"
AIR INLET:	1/2"
OPERATING PRESSURE:	0 - 7 bar
PRICE:	

MEMBRANE TRANSFER PUMPS



DOUBLE MEMBRANE PUMP IN STAINLESS STEEL WITH RATIO 1:1

CODE:	VAPS15
FLOW:	36 lt/min
FLUID INLET:	3/8"
AIR INLET:	1/4"
OPERATING PRESSURE:	0 - 7 bar
PRICE:	

DOUBLE MEMBRANE PUMP IN STAINLESS STEEL WITH RATIO 1:1

CODE:	VAPS20
FLOW:	48 lt/min
FLUID INLET:	1/2"
AIR INLET:	1/4"
OPERATING PRESSURE:	0 - 7 bar
PRICE:	



DOUBLE MEMBRANE PUMP IN STAINLESS STEEL WITH RATIO 1:1

CODE:	VAPS31
FLOW:	180 lt/min
FLUID INLET:	1"
AIR INLET:	3/8"
OPERATING PRESSURE:	0 - 7 bar
PRICE:	

DOUBLE MEMBRANE PUMP IN STAINLESS STEEL WITH RATIO 1:1

CODE:	VAPS40
FLOW:	300 lt/min
FLUID INLET:	1 1/2"
AIR INLET:	1/2"
OPERATING PRESSURE:	0 - 7 bar
PRICE:	



DOUBLE MEMBRANE PUMP IN STAINLESS STEEL WITH RATIO 1:1

CODE:	VAPS50
FLOW:	580 lt/min
FLUID INLET:	2"
AIR INLET:	1/2"
OPERATING PRESSURE:	0 - 7 bar
PRICE:	

DOUBLE MEMBRANE PUMP IN POLYPROPYLENE WITH RATIO 1:1

CODE:	VAPPP20
FLOW:	48 lt/min
FLUID INLET:	1/2"
AIR INLET:	1/4"
OPERATING PRESSURE:	0 - 7 bar
PRICE:	



TRANSFER PUMPS



P81-L

P81-C

P81

TRANSFER PISTON PUMP WITH RATIO 2:1

CODE:	VSTX0021L	VSTX0021C
FLOW:	10 lt/min	10 lt/min
TYPE:	standard	divorced
OPERATING PRESSURE:	3 - 12 bar	3 - 12 bar
PRICE:		

TRANSFER PISTON PUMP WITH RATIO 2:1 COMPLETE WITH DOUBLE SUCTION SYSTEM, MANOMETER AND LINE FILTER

CODE:	VSTXD2C
FLOW:	10 lt/min
TYPE:	divorced
OPERATING PRESSURE:	3 - 12 bar
PRICE:	



TRANSFER PISTON PUMP WITH RATIO 10:1 COMPLETE WITH DOUBLE SUCTION SYSTEM, MANOMETER AND LINE FILTER

CODE:	VTP10D2C
FLOW:	8 lt/min
OPERATING PRESSURE:	3 - 12 bar
PRICE:	

PAINTING SYSTEMS MOUNTED ON COVER



COVER FOR TANKS UP TO 25 LT IN ALUMINIUM WITH TRANSFER PUMP AND PNEUMATIC AGITATOR 1AM

CODE:	CA361AM
FLOW:	36 lt/min
PRESSURE RATIO:	1:1
OPERATING PRESSURE:	3 - 7 bar
PRICE:	

COVER FOR TANKS UP TO 25 LT IN STAINLESS STEEL WITH TRANSFER PUMP AND PNEUMATIC AGITATOR 2AM

CODE:	CXA362AM
FLOW:	36 lt/min
PRESSURE RATIO:	1:1
OPERATING PRESSURE:	3 - 7 bar
PRICE:	



COVER FOR TANKS UP TO 25 LT IN STAINLESS STEEL WITH PNEUMATIC AGITATOR 2AM AND 2 MT SUCTION SYSTEM FITTED S.STEEL FS 3/4"

CODE:	CXAP2AM
PRICE:	

TRANSFER SYSTEMS FOR BARRELS



**COVER FOR BARRELS UP TO 200 LT IN POWDER COATED STEEL WITH
TRANSFER PUMP AND PNEUMATIC AGITATOR 2AM**

CODE:	VS210025CAP
FLOW:	25 lt/min
PRESSURE RATIO:	1:1.5
OPERATING PRESSURE:	3 - 7 bar
PRICE:	

**COVER FOR BARRELS UP TO 200 LT IN POWDER COATED STEEL WITH
TRANSFER PUMP AND PNEUMATIC AGITATOR 2AM**

CODE:	VS210036CAP
FLOW:	36 lt/min
PRESSURE RATIO:	1:1
OPERATING PRESSURE:	3 - 7 bar
PRICE:	



**COVER FOR BARRELS UP TO 200 LT IN POWDER COATED STEEL WITH
TRANSFER PUMP AND PNEUMATIC AGITATOR 2AM**

CODE:	VS210050CAP
FLOW:	50 lt/min
PRESSURE RATIO:	1:1
OPERATING PRESSURE:	3 - 7 bar
PRICE:	



TRANSFER SYSTEMS FOR BARRELS



**COVER FOR BARRELS UP TO 200 LT IN STAINLESS STEEL WITH
TRANSFER PUMP AND PNEUMATIC AGITATOR 2AM**

CODE:	VS2150FAR
FLOW:	50 lt/min
PRESSURE RATIO:	1:1
OPERATING PRESSURE:	3 - 7 bar
PRICE:	

PAINT FILTERING GROUP

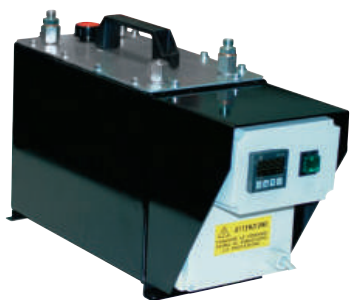


COMPLETE PAINT FILTERING GROUP ON CART

**INSTALLED ON CART WITH WHEELS COMPLETE WITH TRANSFER PUMP, FILTERING
GROUP WITH SET OF FILTERS IN VARIOUS MESHES, PIPES WITH HOSE AND
COUPLING TO CISTERN**

CODE:	GLO3ASC003
FLOW:	300 lt/min
PRESSURE RATIO:	1:1
OPERATING PRESSURE:	3 - 7 bar
PRICE:	

HEATING BANDS



HEATER FOR WATER BASED PAINT

CODE:	VS3000
MAX TEMPERATURE:	130°
MAX PRESSURE:	250 bar
VOLTAGE:	220 V 50 Hz
PRICE:	

PAINT HEATER

CODE:	VSR055
MAX TEMPERATURE:	130°
MAX PRESSURE:	250 bar
VOLTAGE:	220 V 50 Hz
PRICE:	



HEATING BAND FOR BARRELS UP TO 200 LT



CODE:	FFU0200
MAX TEMPERATURE:	30° - 90°
MAX PRESSURE:	1500 W
VOLTAGE:	220 V 50 Hz
DIMENSION:	1800 x 200 mm
PRICE:	

HEATING BAND FOR CANS UP TO 30 LT

CODE:	FFU0030
MAX TEMPERATURE:	30° - 90°
MAX PRESSURE:	600 W
VOLTAGE:	220 V 50 Hz
DIMENSION:	920 x 200 mm
PRICE:	



HEATED HOSE

HEATED HOSE VS 4000

**HEATED HOSE 5/16" LENGHT OF 7.5 MT TO BE CONNECTED TO
THE PUMP DIRECTLY WITH FITTING 1/4"**



CODE:	VSG-HH-7,5-55
TEMPERATURE:	55°
POWER:	1.200 W
VOLTAGE:	230 V 50 Hz
LENGHT:	7.5 mt
MAX PRESSURE:	250 bar
PRICE:	

HEATED HOSE VS 4000

**HEATED HOSE 3/8" LENGHT OF 15 MT TO BE CONNECTED TO
THE PUMP DIRECTLY WITH FITTING 3/8"**

CODE:	VSG-HH-15-55
TEMPERATURE:	55°
POWER:	1.200 W
VOLTAGE:	230 V 50 Hz
LENGHT:	15 mt
MAX PRESSURE:	250 bar
PRICE:	

HEATED HOSE VS 3000

**HEATED HOSE 5/16" LENGHT OF 7.5 MT TO BE CONNECTED TO
THE PUMP DIRECTLY WITH FITTING 1/4"**

CODE:	VSG-HH-T-7,5-5/16
TEMPERATURE:	0° - 70°
POWER:	600 W - 3200 W
VOLTAGE:	230 V 50 Hz
LENGHT:	7.5 mt
MAX PRESSURE:	250 bar
PRICE:	

HEATED HOSE VS 3000

**HEATED HOSE 3/8" LENGHT OF 15 MT TO BE CONNECTED TO
THE PUMP DIRECTLY WITH FITTING 3/8"**

CODE:	VSG-HH-T-15
TEMPERATURE:	0° - 70°
POWER:	600 W - 3200 W
VOLTAGE:	230 V 50 Hz
LENGHT:	15 mt
MAX PRESSURE:	250 bar
PRICE:	



ELECTROSTATIC GROUP

ELECTROSTATIC GUN FOR LIQUID PAINT OTS 3000



	GUN ONLY	GUN WITH CABLES 10/11 MT
CODE:	3000AG	3000AGC
INLET VOLTAGE:	0-70 Kv DC (-)	0-70 Kv DC (-)
PRESSURE:	0 - 7 bar	0 - 7 bar
WEIGHT:	470 g	470 g
PRICE:		

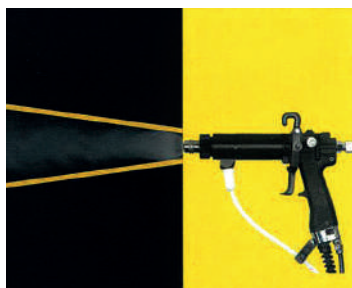


II 2G
Ex h T6 Gb
Ta=0°C to + 50°C

ELECTROSTATIC POWER SUPPLY UNIT OTS 3000



CODE:	3000AP
INLET VOLTAGE:	110 - 240 V / 50 - 60 Hz
OUTLET VOLTAGE:	0-70 Kv DC (-)
OUTLET POWER:	50 microamper
WEIGHT:	470 g
PRICE:	

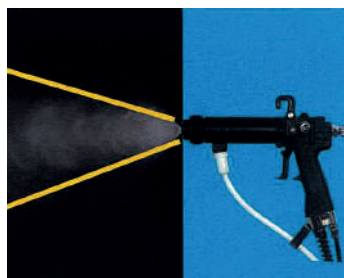


ROUND NOZZLE TIN-B

CODE:	3000AL
FLOW:	20 - 300 ml/min
FAN DIMENSION:	70 mm
AIR CONSUMPTION:	180 NI/min
PRICE:	

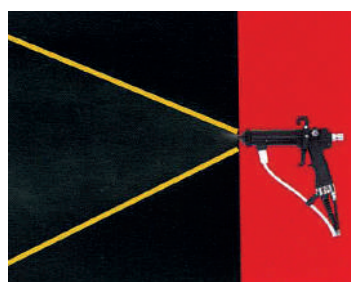
ROUND NOZZLE FRP

CODE:	3000AK
FLOW:	50 - 300 ml/min
FAN DIMENSION:	160 mm
AIR CONSUMPTION:	180 NI/min
PRICE:	



FAN NOZZLE FRP

CODE:	3000AQ
FLOW:	100 - 400 ml/min
FAN DIMENSION:	300 mm
AIR CONSUMPTION:	180 NI/min
PRICE:	



ELECTROSTATIC GROUP

CERTIFIED
ATEX II 2 G EX T6 GB



II 2G
Ex h T6 Gb
Ta=0°C to + 50°C

Ref. Standards: EN 1127-1:2011,
EN ISO 80079-36:2016, EN ISO 80079-37:2016



LOW PRESSURE ELECTROSTATIC GROUP FOR LIQUID PAINT

**MOUNTED ON CART COMPLETE OF VS 25 PUMP, GENERATOR,
MANUAL SPRAY GUN WITH NOZZLE AND HOSES 10 MT**

CODE:	OTS3000VSA
FLOW:	25 lt/min
PRESSURE RATIO:	1:1.5
VOLTAGE:	0-70 Kv DC (-)
PRESSURE:	2 - 6 bar
PRICE:	

ELECTROSTATIC GROUP

POWER SUPPLY GROUP AND SPRAY GUN

CODE	DESCRIPTION	PRICE
OTS-3000-SF-B	Electrostatic group complete with hoses 10 mt and fan nozzle FRP	
OTS-3000-ST-B	Electrostatic group complete with hoses 10 mt and round nozzle TIN-B	
OTS-3000-SL-B	Electrostatic group complete with hoses 10 mt and round nozzle FRP	

ACCESSORI

CODE	DESCRIPTION	PRICE
3000AM50	High voltage cable 5 mt	
3000AE60	Teflon product hose 6 mt	
3000AT50	Polyurethane air hose 5 mt	
3000AM65	High voltage cable 6.5 mt	
3000AE75	Teflon product hose 7.5 mt	
3000AT65	Polyurethane air hose 6.5 mt	
3000AM100	High voltage cable 10 mt	
3000AE110	Teflon product hose 11 mt	
3000AT100	Polyurethane air hose 10 mt	
3000TB	Manual kit and assembly key	



INSULATED BOX KIT

COMPLETE WITH VOLTAGE RELIEF VALVE AND PNEUMATIC PISTON
(GENERATOR, GUN AND PUMP EXCLUDED)

CODE:	EGBOX003
DIMENSION:	600x800x1800
PRICE:	

TWO-COMPONENT PUMP VS 2B

Suction part A 100%
Suction part B 18%

This system allows the operator to have a fresh and homogeneous mix everytime. The washing pump is mounted on the system to avoid cleaning all of the parts after every use and cleanse just the mixing part after the use.



TWO-COMPONENT 18% PNEUMATIC PUMP WITH FIXED RATIO

MOUNTED ON TROLLEY COMPLETE WITH REDUCER, LINE FILTER AND WASHING PUMP

CODE:	2124018
FLOW:	20 lt/min
PRESSURE RATIO:	1:1
MIXING RATIO:	18%
PRESSURE:	2 - 6 bar
PRICE:	

READY FOR USE KIT:

CODE	DESCRIPTION	PRICE
2124018	Pump VS-2B 18% mounted on cart	
SEB302B	30 lt tank kit with hermetic lid with long legs complete with connection tube, silica gel and return kit	
0603412	Paint suction system Ø 19 and suction M 1/2" FS 3/4"	
816075	Double hose 6,5x10 + 8x11 fitted 3/8" FS + 1/4 - 7,5 mt.	
080012	Paint suction system Ø 13 and suction M 15x1 FG 1/2"	
400970	Liquid pressure regulator 0 - 6 bar	
VS603XX	Manual gun VS 603	

COMPLETE KIT PRICE:

**IDEAL FOR:
ACRYLICS
SOLVENTS
WATER-BASED PAINTS**

**N.B: DILUTE PART A BEFORE RUNNING
THE PUMP**

TWO-COMPONENT 20% PNEUMATIC PUMP WITH FIXED RATIO

MOUNTED ON TROLLEY COMPLETE WITH REDUCER, LINE FILTERS AND WASHING PUMP

CODE:	2124020
FLOW:	20 lt/min
PRESSURE RATIO:	1:1
MIXING RATIO:	20%
PRESSURE:	2 - 6 bar
PRICE:	



Suction part A 100%
Suction part B 20%

This system allows the operator to have a fresh and homogeneous mix everytime. The washing pump is mounted on the system to avoid cleaning all of the parts after every use and cleanse just the mixing part after the use.

READY FOR USE KIT:

CODE	DESCRIPTION	PRICE
2124020	Pump VS-2B 20% mounted on cart	
SEB302B	30 lt tank kit with hermetic lid with long legs complete with connection tube, silica gel and return kit	
0603412	Paint suction system Ø 19 and suction M 1/2" FS 3/4"	
816075	Double hose 6,5x10 + 8x11 fitted 3/8" FS + 1/4 - 7,5 mt.	
080012	Paint suction system Ø 13 and suction M 15x1 FG 1/2"	
400970	Liquid pressure regulator 0 - 6 bar	
VS603XX	Manual gun VS 603	

COMPLETE KIT PRICE:

**IDEAL FOR:
ACRYLICS
SOLVENTS
WATER-BASED PAINTS**

**N.B: DILUTE PART A BEFORE RUNNING
THE PUMP**

TWO-COMPONENT PUMP VS 2B

Suction part A 100%
Suction part B 25%

This system allows the operator to have a fresh and homogeneous mix everytime. The washing pump is mounted on the system to avoid cleaning all of the parts after every use and cleanse just the mixing part after the use.



TWO-COMPONENT 25% PNEUMATIC PUMP WITH FIXED RATIO

MOUNTED ON TROLLEY COMPLETE WITH REDUCER, LINE FILTER AND WASHING PUMP

CODE:	2124025
FLOW:	20 lt/min
PRESSURE RATIO:	1:1
MIXING RATIO:	25%
PRESSURE:	2 - 6 bar
PRICE:	

READY FOR USE KIT:

CODE	DESCRIPTION	PRICE
2124025	Pump VS-2B 25% mounted on cart	
SEB302B	30 lt tank kit with hermetic lid with long legs complete with connection tube, silica gel and return kit	
0603412	Paint suction system Ø 19 and suction M 1/2" FS 3/4"	
816075	Double hose 6,5x10 + 8x11 fitted 3/8" FS + 1/4 - 7,5 mt.	
080012	Paint suction system Ø 13 and suction M 15x1 FG 1/2"	
400970	Liquid pressure regulator 0 - 6 bar	
VS603XX	Manual gun VS 603	

COMPLETE KIT PRICE:

**IDEAL FOR:
ACRYLICS
SOLVENTS
WATER-BASED PAINTS**

N.B: DILUTE PART A BEFORE RUNNING THE PUMP

TWO-COMPONENT 30% PNEUMATIC PUMP WITH FIXED RATIO

MOUNTED ON TROLLEY COMPLETE WITH REDUCER, LINE FILTER AND WASHING PUMP

CODE:	2124010
FLOW:	20 lt/min
PRESSURE RATIO:	1:1
MIXING RATIO:	30%
PRESSURE:	2 - 6 bar
PRICE:	



Suction part A 100%
Suction part B 30%

This system allows the operator to have a fresh and homogeneous mix everytime. The washing pump is mounted on the system to avoid cleaning all of the parts after every use and cleanse just the mixing part after the use.

READY FOR USE KIT:

CODE	DESCRIPTION	PRICE
2124010	Pump VS-2B 30% mounted on cart	
SEB302B	30 lt tank kit with hermetic lid with long legs complete with connection tube, silica gel and return kit	
0603412	Paint suction system Ø 19 and suction M 1/2" FS 3/4"	
816075	Double hose 6,5x10 + 8x11 fitted 3/8" FS + 1/4 - 7,5 mt.	
080012	Paint suction system Ø 13 and suction M 15x1 FG 1/2"	
400970	Liquid pressure regulator 0 - 6 bar	
VS603XX	Manual gun VS 603	

COMPLETE KIT PRICE:

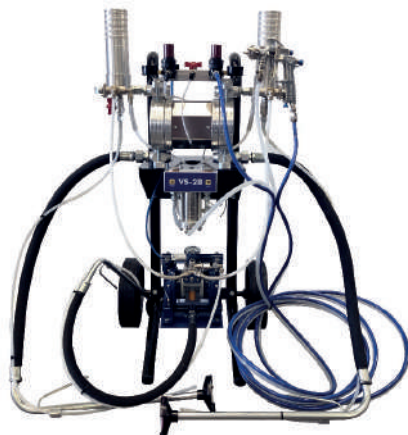
**IDEAL FOR:
ACRYLICS
POLYURETHANES**

N.B: DILUTE PART A BEFORE RUNNING THE PUMP

TWO-COMPONENT PUMP VS 2B

Suction part A 100%
Suction part B 50%

This system allows the operator to have a fresh and homogeneous mix everytime. The washing pump is mounted on the system to avoid cleaning all of the parts after every use and cleanse just the mixing part after the use.



TWO-COMPONENT 50% PNEUMATIC PUMP WITH FIXED RATIO

MOUNTED ON TROLLEY COMPLETE WITH REDUCER, LINE FILTER AND WASHING PUMP

CODE:	212411
FLOW:	20 lt/min
PRESSURE RATIO:	1:1
MIXING RATIO:	50%
PRESSURE:	2 - 6 bar
PRICE:	

READY FOR USE KIT:

CODE	DESCRIPTION	PRICE
212411	Pump VS-2B 50% mounted on cart	
SEB302B	30 lt tank kit with hermetic lid with long legs complete with connection tube, silica gel and return kit	
0603412	Paint suction system Ø 19 and suction M 1/2" FS 3/4"	
816075	Double hose 6,5x10 + 8x11 fitted 3/8" FS + 1/4 - 7,5 mt.	
080012	Paint suction system Ø 13 and suction M 15x1 FG 1/2"	
400970	Liquid pressure regulator 0 - 6 bar	
VS603XX	Manual gun VS 603	

COMPLETE KIT PRICE:

**IDEAL FOR:
POLYURETHANES
PRIMER AND FINISHES**

**N.B: DILUTE PART A BEFORE RUNNING
THE PUMP**

TWO-COMPONENT 100% PNEUMATIC PUMP WITH FIXED RATIO

MOUNTED ON TROLLEY COMPLETE WITH REDUCER, LINE FILTER AND WASHING PUMP

CODE:	212412
FLOW:	20 lt/min
PRESSURE RATIO:	1:1
MIXING RATIO:	100%
PRESSURE:	2 - 6 bar
PRICE:	



Suction part A 100%
Suction part B 100%

This system allows the operator to have a fresh and homogeneous mix everytime. The washing pump is mounted on the system to avoid cleaning all of the parts after every use and cleanse just the mixing part after the use.

READY FOR USE KIT:

CODE	DESCRIPTION	PRICE
212412	Pump VS-2B 100% mounted on cart	
0603412	Paint suction system Ø 19 and suction M 1/2" FS 3/4" - 2pcs	
816075	Double hose 6,5x10 + 8x11 fitted 3/8" FS + 1/4 - 7,5 mt.	
080012	Paint suction system Ø 13 and suction M 15x1 FG 1/2"	
VS603XX	Manual gun VS 603	

COMPLETE KIT PRICE:

**IDEAL FOR:
POLYURETHANES
POLYESTERS**

**N.B: DILUTE PART A BEFORE RUNNING
THE PUMP**

TWO-COMPONENT PUMP

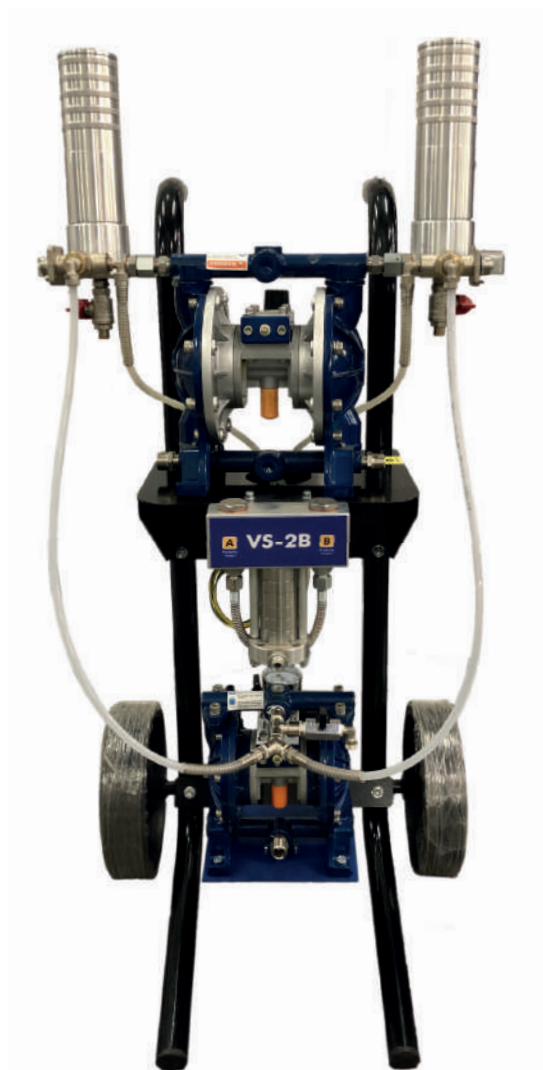
Suction part A 100%
Suction part B 100%

This system allows the operator to have a fresh and homogeneous mix everytime. The washing pump is mounted on the system to avoid cleaning all of the parts after every use and cleanse just the mixing part after the use.

TWO-COMPONENT 100% PNEUMATIC PUMP WITH FIXED RATIO

MOUNTED ON TROLLEY COMPLETE WITH REDUCER, LINE FILTER AND WASHING PUMP

CODE:	VS2B001
FLOW:	24 lt/min
PRESSURE RATIO:	1:1
MIXING RATIO:	100%
PRESSURE:	2 - 6 bar
PRICE:	



READY FOR USE KIT:

IDEAL FOR:
POLYURETHANES
POLYESTERS

N.B: DILUTE PART A BEFORE RUNNING THE PUMP

CODE	DESCRIPTION	PRICE
VS2B001	Pump VS-2B ECO 100% mounted on cart	
0603412	Paint suction system \varnothing 19 and suction M 1/2" FS 3/4" - 2pcs	
816075	Double hose 6,5x10 + 8x11 fitted 3/8" FS + 1/4 - 7,5 mt.	
080012	Paint suction system \varnothing 13 and suction M 15x1 FG 1/2"	
VS603XX	Manual gun VS 603	

COMPLETE KIT PRICE:

TWO-COMPONENT PUMP VS 2P

TWO-COMPONENT 100% PNEUMATIC PUMP WITH FIXED RATIO

MOUNTED ON TROLLEY COMPLETE WITH REDUCER, LINE FILTER AND WASHING PUMP

CODE:	212409
FLOW:	16 lt/min
PRESSURE RATIO:	30:1
MIXING RATIO:	100%
PRESSURE:	2 - 6 bar
PRICE:	

TWO-COMPONENT 100% PNEUMATIC PUMP WITH FIXED RATIO

MOUNTED ON TROLLEY COMPLETE WITH REDUCER, AND LINE FILTER WITHOUT WASHING PUMP

CODE:	212409SNP
FLOW:	16 lt/min
PRESSURE RATIO:	30:1
MIXING RATIO:	100%
PRESSURE:	2 - 6 bar
PRICE:	



IDEAL FOR:
FIREPROOF POLYURETHANES
POLYESTERS
POLYURETHANES GLOSS

**N.B: DILUTE PART A BEFORE
RUNNING THE PUMP**

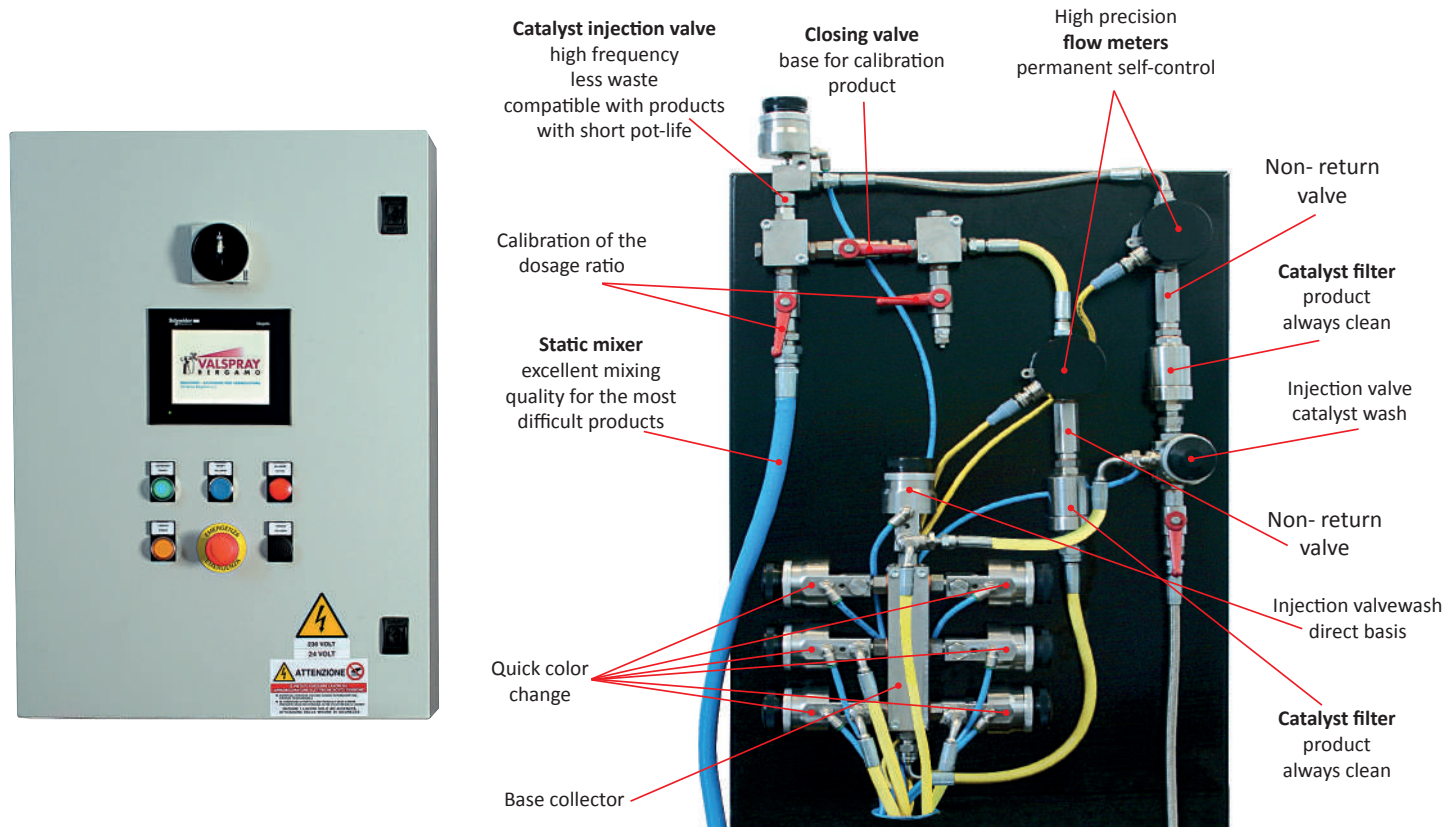
Suction part A 100%
Suction part B 100%

This system allows the operator to have a fresh and homogeneous mix everytime. The washing pump is mounted on the system to avoid cleaning all of the parts after every use and cleanse just the mixing part after the use.

READY FOR USE KIT:

CODE	DESCRIPTION	PRICE
212409SNP	Pump VS-2P 100% mounted on cart	
0836912S	Stainless steel paint suction system with hose Ø 19 and suction M 1/2" FS 36x2 90° facing down2pz	
614104	Hose HP 1/4" metallic braid fitted FS 1/4" mt. 10	
VS80500	Manual gun VS 500 11/16" fitted FS 1/4"	
AR8555051	Tip guard 11/16"	
ARVXXX	Self-cleaning airless tip	
TOTALE KIT COMPLETO:		

2K MIXING AND DOSING SYSTEM



TECHNOLOGY VS MIX BP-HA

CAN BE USED WITH WATER-BASED OR SOLVENT-BASED MONO OR TWO-COMPONENT PRODUCTS, HIGH DRY EXTRACT PAINTS, PAINTS, LACQUERS, POLYURETHANES, DYES, EPOXY PRODUCTS, WATER OR SOLVENT-BASED ADHESIVES.

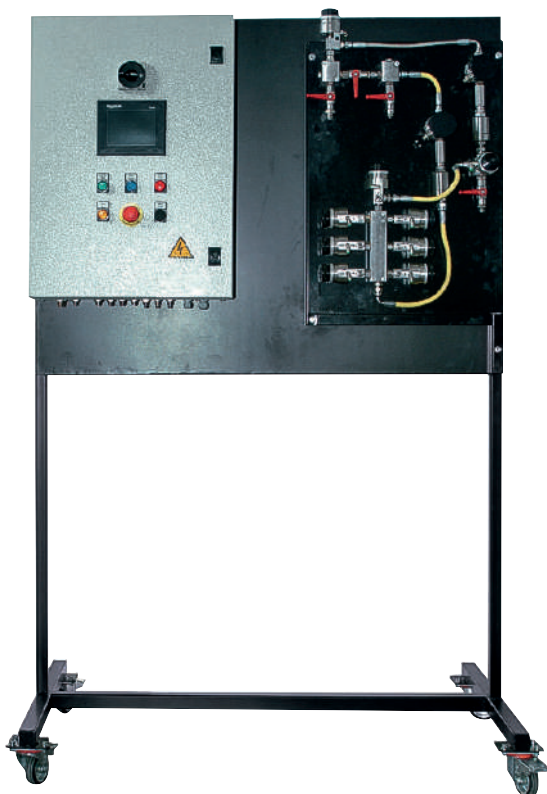
ADVANTAGES FOR THE CUSTOMER COMPARED TO MANUAL MIXING:

- REDUCTION OF WORKING TIME
 - INCREASE IN PRODUCTIVITY
- CONSISTENT PRODUCT QUALITY
 - ALWAYS FRESH PRODUCT
 - LOWER MANAGEMENT COST
- FAST RETURN ON INVESTMENT
 - PRODUCT SAVINGS
 - LESS WASTE PRODUCTION
 - ENERGY SAVING

TECHNICAL DATA

POWER SUPPLY:	230 V 50 Hz
INLET AIR PRESSURE:	6 bar
PRODUCT PRESSURE:	2 - 200 bar
MATERIAL IN CONTACT WITH PRODUCT:	stainless steel
PRODUCT DOSAGE PRECISION:	-1 + %
PRODUCT VISCOSITY:	20 - 10.000 cps
MIXED PRODUCT FLOW:	50 - 2.000 cm ³ /mm
CONTROL CABINET:	detached
MIXING PANEL:	detached
MIXING RATIO:	5 - 100%

2K MIXING AND DOSING SYSTEM - HIGH PRESSURE



ELECTRONIC MIXING AND DOSING SYSTEM WITH 1 COLOR AND 1 CATALYST HIGH PRESSURE DOSING PANEL

CODE:	VSMIX01HA
FLOW:	50-2000 cm ³ /mm
OPERATING PRESSURE:	0 - 200 bar
PRICE:	

ELECTRONIC MIXING AND DOSING SYSTEM WITH 3 COLORS AND 1 CATALYST HIGH PRESSURE DOSING PANEL

CODE:	VSMIX03HA
FLOW:	50-2000 cm ³ /mm
OPERATING PRESSURE:	0 - 200 bar
PRICE:	

METAL GRATED SUPPORT WITH RECYCLE VALVE HEIGHT 100MM, LENGTH 2000MM, WIDTH 1300MM

CODE:	TPTGR0028
PRICE:	

ELECTRONIC MIXING AND DOSING SYSTEM WITH 5 COLORS AND 1 CATALYST HIGH PRESSURE DOSING PANEL

CODE:	VSMIX05HA
FLOW:	50-2000 cm ³ /mm
OPERATING PRESSURE:	0 - 200 bar
PRICE:	

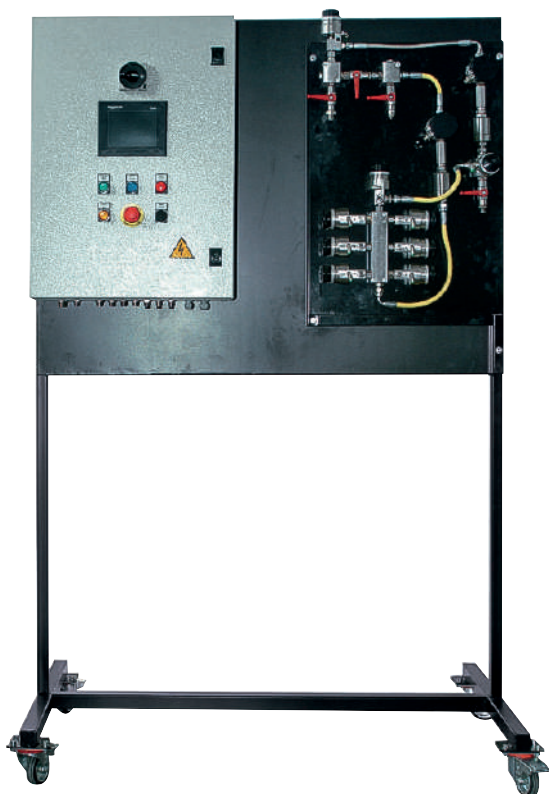
SET-UP KIT FOR 2 FIBER OPTIC METERS COMPLETE WITH CABLE

CODE:	FRBG087BR
PRICE:	

ELECTRONIC MIXING AND DOSING SYSTEM WITH 7 COLORS AND 1 CATALYST HIGH PRESSURE DOSING PANEL

CODE:	VSMIX07HA
FLOW:	50-2000 cm ³ /mm
OPERATING PRESSURE:	0 - 200 bar
PRICE:	

2K MIXING AND DOSING SYSTEM - LOW PRESSURE



ELECTRONIC MIXING AND DOSING SYSTEM WITH 1 COLOR AND 1 CATALYST LOW PRESSURE DOSING PANEL

CODE:	VSMIX01BP
FLOW:	50-2000 cm ³ /mm
OPERATING PRESSURE:	0 - 7 bar
PRICE:	

ELECTRONIC MIXING AND DOSING SYSTEM WITH 3 COLORS AND 1 CATALYST LOW PRESSURE DOSING PANEL

CODE:	VSMIX03BP
FLOW:	50-2000 cm ³ /mm
OPERATING PRESSURE:	0 - 7 bar
PRICE:	

COMPLETE KIT FOR SECOND CATALYST

CODE:	CTP002715
PRICE:	

ELECTRONIC MIXING AND DOSING SYSTEM WITH 5 COLORS AND 1 CATALYST LOW PRESSURE DOSING PANEL

CODE:	VSMIX05BP
FLOW:	50-2000 cm ³ /mm
OPERATING PRESSURE:	0 - 7 bar
PRICE:	

WASHING KIT FOR CATALYST

CODE:	CTP002785
PRICE:	

ELECTRONIC MIXING AND DOSING SYSTEM WITH 7 COLORS AND 1 CATALYST LOW PRESSURE DOSING PANEL

CODE:	VSMIX07BP
FLOW:	50-2000 cm ³ /mm
OPERATING PRESSURE:	0 - 7 bar
PRICE:	

2K MIXING AND DOSING SYSTEM - HIGH PRESSURE



COMPLETE KIT FOR SECOND CATALYST

CODE: CTP002715

PRICE:

WASHING KIT FOR CATALYST

CODE: CTP002785

PRICE:

ELECTRONIC MIXING AND DOSING SYSTEM WITH 1 COLOR AND 1 CATALYST HIGH PRESSURE DOSING PANEL

CODE:	VSMIXHA001
FLOW:	50-2000 cm ³ /mm
OPERATING PRESSURE:	0 - 200 bar
PUMP VTN321	32:1 8lt. n° 1 washing
PUMP VTN321	32:1 8lt. n° 1 color
PUMP VTN321	32:1 8lt. n° 1 catalyst
S.STEEL CONTAINER 50LT	2 pcs
PRICE:	

ELECTRONIC MIXING AND DOSING SYSTEM WITH 3 COLORS AND 1 CATALYST HIGH PRESSURE DOSING PANEL

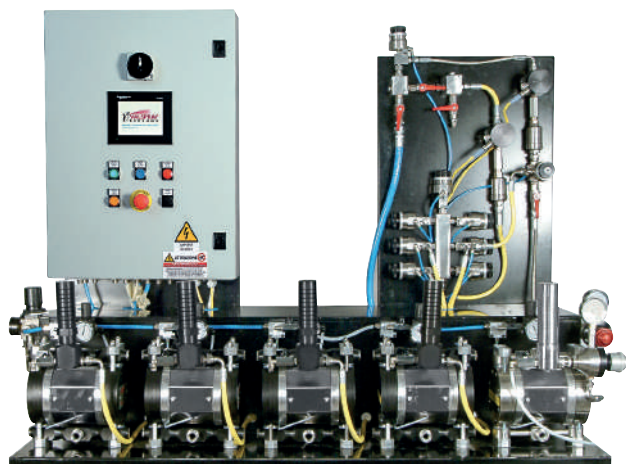
CODE:	VSMIXHA003
FLOW:	50-2000 cm ³ /mm
OPERATING PRESSURE:	0 - 200 bar
PUMP VTN321	32:1 8lt. n° 1 washing
PUMP VTN321	32:1 8lt. n° 3 color
PUMP VTN321	32:1 8lt. n° 1 catalyst
S.STEEL CONTAINER 50LT	4 pcs
PRICE:	

ELECTRONIC MIXING AND DOSING SYSTEM WITH 5 COLORS AND 1 CATALYST HIGH PRESSURE DOSING PANEL

CODE:	VSMIXHA005
FLOW:	50-2000 cm ³ /mm
OPERATING PRESSURE:	0 - 200 bar
PUMP VTN321	32:1 8lt. n° 1 washing
PUMP VTN321	32:1 8lt. n° 5 color
PUMP VTN321	32:1 8lt. n° 1 catalyst
S.STEEL CONTAINER 50LT	6 pcs
PRICE:	

2K MIXING AND DOSING SYSTEM - LOW PRESSURE

ELECTRONIC MIXING AND DOSING SYSTEM WITH 1 COLOR AND 1 CATALYST LOW PRESSURE DOSING PANEL



CODE:	VSMIXBP001
FLOW:	50-2000 cm ³ /mm
OPERATING PRESSURE:	0 - 7 bar
PUMP VS 36	1:1 36 lt. n° 1 washing
PUMP VS 36	1:1 36 lt. n° 1 color
PUMP VS 25	1:1 25 lt n° 1 catalyst
S.STEEL CONTAINER 50LT	2 pcs

PRICE:

ELECTRONIC MIXING AND DOSING SYSTEM WITH 3 COLORS AND 1 CATALYST LOW PRESSURE DOSING PANEL

CODE:	VSMIXBP003
FLOW:	50-2000 cm ³ /mm
OPERATING PRESSURE:	0 - 7 bar
PUMP VS 36	1:1 36 lt. n° 1 washing
PUMP VS 36	1:1 36 lt. n° 3 color
PUMP VS 25	1:1 25 lt n° 1 catalizzatore
S.STEEL CONTAINER 50LT	4 pcs

PRICE:

ELECTRONIC MIXING AND DOSING SYSTEM WITH 5 COLORS AND 1 CATALYST LOW PRESSURE DOSING PANEL

CODE:	VSMIXBP005
FLOW:	50-2000 cm ³ /mm
OPERATING PRESSURE:	0 - 7 bar
PUMP VS 36	1:1 36 lt. n° 1 washing
PUMP VS 36	1:1 36 lt. n° 5 color
PUMP VS 25	1:1 25 lt n° 1 catalyst
S.STEEL CONTAINER 50LT	6 pcs

PRICE:

COMPLETE KIT FOR SECOND CATALYST

CODE: CTP002715

PRICE:

WASHING KIT FOR CATALYST

CODE: CTP002785

PRICE:

PAINT CONTAINER



CODE	DESCRIPTION	PRICE
SEB010	Stainless steel container 10 lt with 1/2" lower outlet and n. 2 high lateral connections F 3/8 with semi-opening lid for paints and solvents	
SEB300	Stainless steel container 30 lt with 1/2" lower outlet and n. 2 high lateral connections F 3/8 with semi-opening lid for paints and solvents	
SEB500	Stainless steel container 50 lt with 1/2" lower outlet and n. 2 high lateral connections F 3/8 with semi-opening lid for paints and solvents	
SEB100	Stainless steel container 100 lt with 1/2" lower outlet and n. 2 high lateral connections F 3/8 with semi-opening lid for paints and solvents	

CODE	DESCRIPTION	PRICE
SEB100A	Stainless steel container 100 lt with 1/2" lower outlet semi-openable lid for paints with glass product level viewer, side connection for return complete, and GAST 2AM agitator	
SEB100B	Stainless steel container 100 lt with 1/2" lower outlet semi-openable lid for paints with glass product level viewer, side connection for return complete, and RB-FA agitator	



CODE	DESCRIPTION	PRICE
SEB15G	Epdm cover gasket Ø 150mm	
SEB22G	Epdm cover gasket Ø 220mm	
SEB30G	Epdm cover gasket Ø 300mm	
SEB40G	Epdm cover gasket Ø 400mm	
LIV1000A	Glass level viewer kit with fittings	
SEBP35	Kit of 3 iron support extensions 35 cm	

CATALYST CONTAINER



CODE	DESCRIPTION	PRICE
SEB10C	stainless steel container 10 lt with 1/2" lower outlet and hermetic closure for catalysts. Complete with side connection for silica gel kit, return connection and glass viewer for product level	
SEB30C	stainless steel container 30 lt with 1/2" lower outlet and hermetic closure for catalysts. Complete with side connection for silica gel kit, return connection and glass viewer for product level	
SEB50C	stainless steel container 50 lt with 1/2" lower outlet and hermetic closure for catalysts. Complete with side connection for silica gel kit, return connection and glass viewer for product level	
SEB100C	stainless steel container 100 lt with 1/2" lower outlet and hermetic closure for catalysts. Complete with side connection for silica gel kit, return connection and glass viewer for product level	

VERSION WITH 70 CM SUPPORT, SUITABLE FOR THE SUPPLY OF PAINTING PUMPS ON TROLLEY

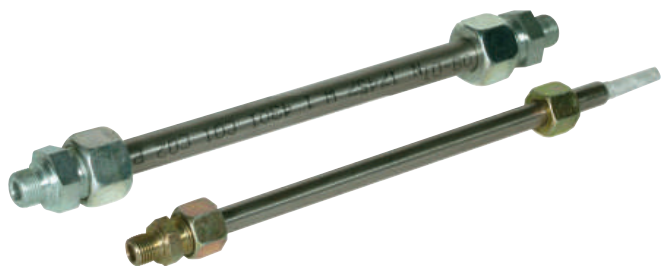
CODE	DESCRIPTION	PRICE
SET30C	stainless steel container 30 lt with 1/2" lower outlet and hermetic closure for catalysts. Complete with side connection for silica gel kit, return connection and glass viewer for product level	
SET50C	stainless steel container 50 lt with 1/2" lower outlet and hermetic closure for catalysts. Complete with side connection for silica gel kit, return connection and glass viewer for product level	
SET100C	stainless steel container 100 lt with 1/2" lower outlet and hermetic closure for catalysts. Complete with side connection for silica gel kit, return connection and glass viewer for product level	



STANDARD AND ATEX CERTIFIED LEVEL INDICATORS ARE ALSO AVAILABLE ON REQUEST FOR ALL CONTAINER MODELS

MIXER KIT, SILICA GEL AND SPHERES

MIXER KIT



MIXER CARTRIDGE



SILICA GEL



S. STEEL SPHERES



CODE	DESCRIPTION	PRICE
000214	Mixer kit M 1/4"	
000238	Mixer kit M 3/8"	
000208	Mixer cartridge 110 mm. Ø 6,5 mm.	
000224	Mixer cartridge 240 mm. Ø 9.8 mm.	
000234	Mixer cartridge 340 mm. Ø 12.5 mm.	
000290	Silica gel kg. 1	
490006	Sphere Ø 6 mm s. steel	
490008	Sphere Ø 8 mm s. steel	
490010	Sphere Ø 10 mm s. steel	
490011	Sphere Ø 11 mm s. steel	
490012	Sphere Ø 12 mm s. steel	
490014	Sphere Ø 14 mm s. steel	
490016	Sphere Ø 16 mm s. steel	
490017	Sphere Ø 17 mm s. steel	
490019	Sphere Ø 19 mm s. steel	
490020	Sphere Ø 20 mm s. steel	
490022	Sphere Ø 22 mm s. steel	
490025	Sphere Ø 25 mm s. steel	
490032	Sphere Ø 32 mm s. steel	
490035	Sphere Ø 35 mm s. steel	



CODE	DESCRIPTION	PRICE
KITG000290	Silica gel kit with level viewer, filtration threshold 20 micron max pressure 13 bar M 3/8" with brass silencer filter	

MIXING AND CATALYST HOSES



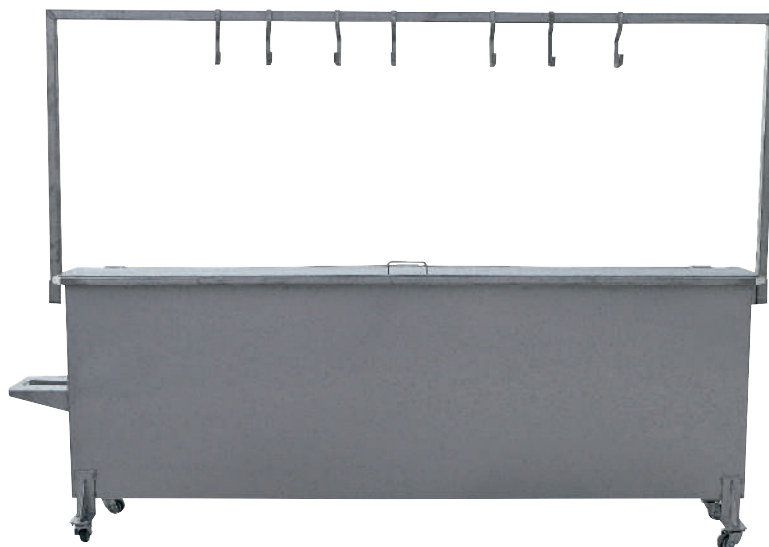
CODE	DESCRIPTION	PRICE
VSB9012	Mixer hose 90cm with 10 mm cartridge fitted 1/2 FS x1 / 2 FS S. steel	

CODE	DESCRIPTION	PRICE
514504	Double stainless steel metal braided hose 50 cm for catalysts with PTFE inside - fittings FS 1/4 "	
514754	Double stainless steel metal braided hose 75 cm for catalysts with PTFE inside - fittings FS 1/4 "	
514104	Double stainless steel metal braided hose 100 cm for catalysts with PTFE inside - fittings FS 1/4 "	
514124	Double stainless steel metal braided hose 125 cm for catalysts with PTFE inside - fittings FS 1/4 "	
514154	Double stainless steel metal braided hose 150 cm for catalysts with PTFE inside - fittings FS 1/4 "	

CODE	DESCRIPTION	PRICE
538508	Double stainless steel metal braided hose 50 cm for catalysts with PTFE inside - fittings FS 3/8 "	
538758	Double stainless steel metal braided hose 75 cm for catalysts with PTFE inside - fittings FS 3/8 "	
538108	Double stainless steel metal braided hose 100 cm for catalysts with PTFE inside - fittings FS 3/8 "	
538128	Double stainless steel metal braided hose 125 cm for catalysts with PTFE inside - fittings FS 3/8 "	
538158	Double stainless steel metal braided hose 150 cm for catalysts with PTFE inside - fittings FS 3/8 "	



IMPREGNATING PUMP



STAINLESS STEEL TANK COMPLETE WITH PUMP, HOSES, GUN AND SHOWER

CODE:	VA2400
LENGHT:	2800 mm.
HEIGHT:	950 mm.
WIDTH:	300 mm.
PRICE:	

STAINLESS STEEL TANK COMPLETE WITH PUMP, HOSES, GUN AND SHOWER

CODE:	VA2410
LENGHT:	2800 mm.
HEIGHT:	500 mm.
WIDTH:	300 mm.
PRICE:	

CODE	DESCRIPTION	PRICE
VA2401	Antisolvent hose 10 x 17 mt. 5 fitted FS 3/8" stainless steel	
VA2402	Naked shower gun	
VA2403	Shower	
VA2404	Complete shower gun with extension	
VA2406	Impregnating pump mounted on trolley complete with rubber antisolvent hose 10x17, suction tube ø13 in stainless steel with suction filter and gun with shower kit, with use and maintenance manual and CE certification.	
VA2405	Impregnating pump without trolley complete with rubber antisolvent hose 10x17, suction tube ø13 in stainless steel with suction filter and gun with shower kit, with use and maintenance manual and CE certification	

LOW PRESSURE MEMBRANE PUMP

SUITABLE FOR THE PAINTING OF : Industrial painting, furniture painting, plastic painting, enamels, anti-corrosion paints, polyurethane, epoxy.

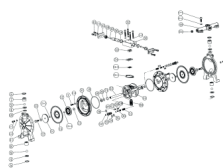
VS 36

DOUBLE DIAPHRAGM PNEUMATIC PUMP MOUNTED ON CART COMPLETE WITH AIR REGULATORS AND LINE FILTER

CODE:	212496
PRESSURE RATIO:	1:1
FLOW:	36 lt/min
OPERATING PRESSURE:	2 - 8 bar
PRICE:	



DIAPHRAGM
Cod. PB0029



SPARE PARTS VIEW
Pag. 384



TANK SPRAY KIT:

CODE	DESCRIPTION	PRICE
212496	Pump VS 36 mounted on cart	
520003	Nylon tank kit 6 lt with tank, cover, return hose and L-adapter FS 1/2" in iron	
886875	Double hose LP fitted FS 1/4" 7,5 m	
VS503XX	Manual spray gun VS 503	
COMPLETE KIT PRICE:		

SUCTION SPRAY KIT:

CODE	DESCRIPTION	PRICE
212496	Pump VS 36 mounted on cart	
060012	Suction system with hose Ø 13 and suction M 15x1 FS 1/2"	
886875	Double hose LP fitted FS 1/4" 7,5 m	
VS503XX	Manual spray gun VS 503	
COMPLETE KIT PRICE:		



LOW PRESSURE MEMBRANE PUMP

SUITABLE FOR THE PAINTING OF : Industrial painting, furniture painting, plastic painting, enamels, anti-corrosion paints, polyurethane, epoxy.

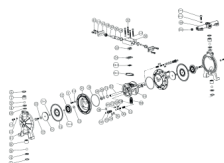
VS 50

DOUBLE DIAPHRAGM PNEUMATIC PUMP MOUNTED ON CART COMPLETE WITH AIR REGULATORS AND LINE FILTER

CODE:	212495
PRESSURE RATIO:	1:1
FLOW:	50 lt/min
OPERATING PRESSURE:	2 - 8 bar
PRICE:	



DIAPHRAGM
Cod. PB0032



SPARE PARTS VIEW
Pag. 385



TANK SPRAY KIT:



CODE	DESCRIPTION	PRICE
212495	Pump VS 50 mounted on cart	
520003	Nylon tank kit 6 lt with tank, cover, return hose and L-adaptor FS 1/2" in iron	
886875	Double hose LP fitted FS 1/4" 7,5 m	
VS503XX	Manual spray gun VS 503	
COMPLETE KIT PRICE:		

SUCTION SPRAY KIT:

CODE	DESCRIPTION	PRICE
212495	Pump VS 50 mounted on cart	
060012	Suction system with hose Ø 13 and suction M 15x1 FS 1/2"	
886875	Double hose LP fitted FS 1/4" 7,5 m	
VS503XX	Manual spray gun VS 503	
COMPLETE KIT PRICE:		



LOW PRESSURE MEMBRANE PUMP

SUITABLE FOR THE PAINTING OF : Industrial painting, furniture painting, plastic painting, enamels, anti-corrosion paints, polyurethane, epoxy.

VS 25

DOUBLE DIAPHRAGM PNEUMATIC PUMP MOUNTED ON CART COMPLETE WITH AIR REGULATORS AND LINE FILTER

CODE:	212403
PRESSURE RATIO:	1:1
FLOW:	25 lt/min
OPERATING PRESSURE:	2 - 8 bar
PRICE:	



PUMP ONLY VS25

Cod. 212404
price:



DIAPHRAGM
Cod. 25005



SPARE PARTS VIEW
Pag. 389



TANK SPRAY KIT:

CODE	DESCRIPTION	PRICE
212403	Pump VS 25 mounted on cart	
520005	Nylon tank kit 6 lt with tank, cover, return hose and L-adapter FS 3/4" in iron	
886875	Double hose LP fitted FS 1/4" 7,5 m	
VS503XX	Manual spray gun VS 503	
COMPLETE KIT PRICE:		

SUCTION SPRAY KIT:

CODE	DESCRIPTION	PRICE
212403	Pump VS 25 mounted on cart	
0603412	Suction system with hose Ø 19 and suction M 1/2" FS 3/4"	
886875	Double hose LP fitted FS 1/4" 7,5 m	
VS503XX	Manual spray gun VS 503	
COMPLETE KIT PRICE:		



LOW PRESSURE MEMBRANE PUMP

SUITABLE FOR THE PAINTING OF : Industrial painting, furniture painting, plastic painting, enamels, water-based enamels, anti-corrosion paints, polyurethane, epoxy.

VS 25 WH

DOUBLE DIAPHRAGM PNEUMATIC PUMP MOUNTED ON CART COMPLETE WITH AIR REGULATORS AND LINE FILTER

CODE:	WH212403
PRESSURE RATIO:	1:1.5
FLOW:	25 lt/min
OPERATING PRESSURE:	2 - 8 bar
PRICE:	



DIAPHRAGM
Cod. 25005



SPARE PARTS VIEW
Pag. 389



DESIGNED FOR WATER BASED PAINT



TANK SPRAY KIT:

CODE	DESCRIPTION	PRICE
WH212403	Pump VS 25 WH mounted on cart	
520005	Nylon tank kit 6 lt with tank, cover, return hose and L-adapter FS 3/4" in iron	
816075	Double hose LP 6.5x10 + 8x11 fitted FS 1/4" + 3/8" 7,5 m	
VS603XX	Manual spray gun VS 603	
COMPLETE KIT PRICE:		

SUCTION SPRAY KIT:

CODE	DESCRIPTION	PRICE
WH212403	Pump VS 25 WH mounted on cart	
0803412	Suction system in s. steel with hose Ø 19 and suction M 1/2" FS 3/4"	
816075	Double hose LP 6.5x10 + 8x11 fitted FS 1/4" + 3/8" 7,5 m	
VS603XX	Manual spray gun VS 603	
COMPLETE KIT PRICE:		



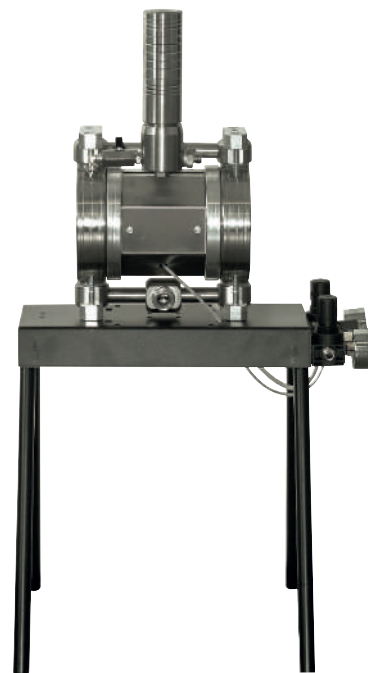
LOW PRESSURE MEMBRANE PUMP

SUITABLE FOR THE PAINTING OF : Industrial painting, furniture painting, plastic painting, enamels, water-based enamels, anti-corrosion paints, polyurethane, epoxy.

VS 25 INOX

DOUBLE DIAPHRAGM PNEUMATIC PUMP MOUNTED ON CART COMPLETE WITH AIR REGULATORS AND LINE FILTER

CODE:	21249525INOX
PRESSURE RATIO:	1:1
FLOW:	25 lt/min
OPERATING PRESSURE:	2 - 8 bar
PRICE:	



**PUMP ONLY
INOX VS25**
Cod. 212404IN
price:



DIAPHRAGM
Cod. 25005



SPARE PARTS VIEW
Pag. 390

TANK SPRAY KIT:



CODE	DESCRIPTION	PRICE
21249525INOX	Pump VS 25 INOX mounted on support	
520005	Nylon tank kit 6 lt with tank, cover, return hose and L-adapter FS 3/4" in iron	
816075	Double hose LP 6.5x10 + 8x11 fitted FS 1/4" + 3/8" 7,5 m	
VS603XX	Manual spray gun VS 603	
COMPLETE KIT PRICE:		

SUCTION SPRAY KIT:

CODE	DESCRIPTION	PRICE
21249525INOX	Pump VS 25 INOX mounted on support	
0803412	Suction system in s. steel with hose Ø 19 and suction M 1/2" FS 3/4"	
816075	Double hose LP 6.5x10 + 8x11 fitted FS 1/4" + 3/8" 7,5 m	
VS603XX	Manual spray gun VS 603	
COMPLETE KIT PRICE:		



LOW PRESSURE MEMBRANE PUMP

SUITABLE FOR THE PAINTING OF : Industrial painting, furniture painting, plastic painting, enamels, anti-corrosion paints, polyurethane, epoxy.

VS 36 INOX

DOUBLE DIAPHRAGM PNEUMATIC PUMP IN STAINLESS STEEL MOUNTED ON CART COMPLETE WITH AIR REGULATORS AND LINE FILTER

CODE:	36VS001
PRESSURE RATIO:	1:1
FLOW:	36 lt/min
OPERATING PRESSURE:	2 - 8 bar
PRICE:	



DIAPHRAGM
Cod. PB0029



TANK SPRAY KIT:

CODE	DESCRIPTION	PRICE
36VS001	Pump VS 36 INOX mounted on cart	
520003i	Nylon tank kit 6 lt with tank, cover, return hose and L-adaptor FS 1/2" s.steel	
886875	Double hose LP fitted FS 1/4" 7,5 m	
VS503XX	Manual spray gun VS 503	
COMPLETE KIT PRICE:		

SUCTION SPRAY KIT:

CODE	DESCRIPTION	PRICE
36VS001	Pump VS 36 INOX mounted on cart	
080012	Stainless steel paint suction system with hose Ø 13 and suction M 15x1 FS 1/2"	
886875	Double hose LP fitted FS 1/4" 7,5 m	
VS503XX	Manual spray gun VS 503	
COMPLETE KIT PRICE:		



LOW PRESSURE MEMBRANE PUMP

SUITABLE FOR THE PAINTING OF : Industrial painting, furniture painting, plastic painting, enamels, anti-corrosion paints, polyurethane, epoxy.

VS 50 INOX

DOUBLE DIAPHRAGM PNEUMATIC PUMP IN STAINLESS STEEL MOUNTED ON CART COMPLETE WITH AIR REGULATORS AND LINE FILTER

CODE:	50VS001
PRESSURE RATIO:	1:1
FLOW:	36 lt/min
OPERATING PRESSURE:	2 - 8 bar
PRICE:	



DIAPHRAGM
Cod. PB0032



SUCTION SPRAY KIT:

CODE	DESCRIPTION	PRICE
50VS001	Pump VS 50 INOX mounted on cart	
080012	Stainless steel paint suction system with hose Ø 13 and suction M 15x1 FS 1/2"	
886875	Double hose LP fitted FS 1/4" 7,5 m	
VS503XX	Manual spray gun VS 503	
COMPLETE KIT PRICE:		

TANK SPRAY KIT:

CODE	DESCRIPTION	PRICE
50VS001	Pump VS 50 INOX mounted on cart	
520003i	Nylon tank kit 6 lt with tank, cover, return hose and L-adapter FS 1/2" s.steel	
886875	Double hose LP fitted FS 1/4" 7,5 m	
VS503XX	Manual spray gun VS 503	
COMPLETE KIT PRICE:		



LOW PRESSURE MEMBRANE PUMP

SUITABLE FOR THE PAINTING OF : Industrial painting, furniture painting, plastic painting, enamels, anti-corrosion paints, polyurethane, epoxy.

VS 28 3:1

DOUBLE DIAPHRAGM PNEUMATIC PUMP MOUNTED ON CART COMPLETE WITH AIR REGULATORS AND LINE FILTER

CODE:	212495-3-1
PRESSURE RATIO:	3:1
FLOW:	20 lt/min
OPERATING PRESSURE:	3 - 24 bar
PRICE:	



DIAPHRAGM
Cod. 28005L



SPARE PARTS VIEW
Pag. 392



TANK SPRAY KIT:



CODE	DESCRIPTION	PRICE
212495-3-1	Pump VS 28 3:1 mounted on cart	
520004	Nylon tank kit 6 lt with tank, cover, return hose and U-adapter FS 3/4"	
771675	Double hose HP 1/4" + LP 6x8 s. steel fittings FG 3/8" 7,5 m	
VS603XX	Manual spray gun VS 603	
COMPLETE KIT PRICE:		

SUCTION SPRAY KIT:

CODE	DESCRIPTION	PRICE
212495-3-1	Pump VS 28 3:1 mounted on cart	
0834912	S. steel paint suction system with hose Ø 19 and suction M 1/2" FS 3/4" 90°	
771675	Double hose HP 1/4" + LP 6x8 s. steel fittings FG 3/8" 7,5 m	
VS603XX	Manual spray gun VS 603	
COMPLETE KIT PRICE:		



LOW PRESSURE MEMBRANE PUMP

SUITABLE FOR THE PAINTING OF : Industrial painting, furniture painting, plastic painting, enamels, water-based enamels, anti-corrosion paints, polyurethane, epoxy.

VS 28 3:1 INOX

DOUBLE DIAPHRAGM PNEUMATIC PUMP IN STAINLESS STEEL MOUNTED ON CART COMPLETE WITH AIR REGULATORS AND LINE FILTER

CODE:	212495A-3-1
PRESSURE RATIO:	3:1
FLOW:	20 lt/min
OPERATING PRESSURE:	3 - 24 bar
PRICE:	



DIAPHRAGM
Cod. 28005L



SPARE PARTS VIEW
Pag. 392



TANK SPRAY KIT:



CODE	DESCRIPTION	PRICE
212495A-3-1	Pump VS 28 3:1 INOX mounted on cart	
520004i	Nylon tank kit 6 lt with tank, cover, return hose and U-adapter FS 3/4" s.steel	
771675	Double hose HP 1/4" + LP 6x8 s. steel fittings FG 3/8" 7,5 m	
VS603XX	Manual spray gun VS 603	
COMPLETE KIT PRICE:		

SUCTION SPRAY KIT:

CODE	DESCRIPTION	PRICE
212495A-3-1	Pump VS 28 3:1 INOX mounted on cart	
0834912	S. steel paint suction system with hose Ø 19 and suction M 1/2" FS 3/4" 90°	
771675	Double hose HP 1/4" + LP 6x8 s. steel fittings FG 3/8" 7,5 m	
VS603XX	Manual spray gun VS 603	
COMPLETE KIT PRICE:		



LOW PRESSURE MEMBRANE PUMP

SUITABLE FOR THE PAINTING OF : Industrial painting, furniture painting, plastic painting, enamels, anti-corrosion paints, polyurethane, epoxy.

VS 36i

**DOUBLE DIAPHRAGM PNEUMATIC PUMP IN STAINLESS STEEL MOUNTED ON CART
COMPLETE WITH AIR REGULATORS AND LINE FILTER**

CODE:	212405
PRESSURE RATIO:	1:1
FLOW:	36 lt/min
OPERATING PRESSURE:	2 - 8 bar
PRICE:	



**PUMP ONLY
VS36i**

Cod. 212406
Price:



DIAPHRAGM
Cod. 02012



SPARE PARTS VIEW
Pag. 393

TANK SPRAY KIT:



CODE	DESCRIPTION	PRICE
212405	Pump VS 36i mounted on cart	
520004	Nylon tank kit 6 lt with tank, cover, return hose and U-adapter FS 3/4"	
886875	Double hose LP fitted FS 1/4" 7,5 m	
VS503XX	Manual spray gun VS 503	
COMPLETE KIT PRICE:		

SUCTION SPRAY KIT:

CODE	DESCRIPTION	PRICE
212405	Pump VS 36i mounted on cart	
0834912	Stainless steel paint suction system with hose Ø 19 and suction M 1/2" FS 3/4" 90°	
886875	Double hose LP fitted FS 1/4" 7,5 m	
VS503XX	Manual spray gun VS 503	
COMPLETE KIT PRICE:		



LOW PRESSURE MEMBRANE PUMP

SUITABLE FOR THE PAINTING OF : Industrial painting, furniture painting, plastic painting, enamels, anti-corrosion paints, polyurethane, epoxy.

VS K1

DOUBLE DIAPHRAGM PNEUMATIC PUMP MOUNTED ON CART COMPLETE WITH AIR REGULATORS AND LINE FILTER

CODE:	PROMO300318
PRESSURE RATIO:	1:1
FLOW:	10 lt/min
OPERATING PRESSURE:	2 - 8 bar
PRICE:	



DIAPHRAGM
Cod. 25005K1



SPARE PARTS VIEW
Pag. 394



TANK SPRAY KIT:



CODE	DESCRIPTION	PRICE
PROMO300318	Pump VS K1 mounted on cart	
520001RTBP	Nylon tank kit 6 lt with tank, cover and return hose	
886875	Double hose LP fitted FS 1/4" 7,5 m	
300014C	Stainless steel gun filter holder FS 1/4" x M 1/4" BENT	
VS503XX	Manual spray gun VS 503	

COMPLETE KIT PRICE:

SUCTION SPRAY KIT:

CODE	DESCRIPTION	PRICE
PROMO300318	Pump VS K1 mounted on cart	
163629	Paint suction system with hose Ø 13 and suction M 15x1 FS 36x2 90°	
886875	Double hose LP fitted FS 1/4" 7,5 m	
300014C	Stainless steel gun filter holder FS 1/4" x M 1/4" BENT	
VS503XX	Manual spray gun VS 503	

COMPLETE KIT PRICE:



PNEUMATIC GLUE FEEDERS



CODE	DESCRIPTION	PRICE
AT10D00P02	Pneumatic glue feeder 10 lt complete with PVC hose 5 m and straight lance	
AT10D00PZ99	Pneumatic glue feeder 10 lt complete with PVC hose 5 m and gun with anatomic handle	

CODE	DESCRIPTION	PRICE
AT10E0002	Stainless steel pneumatic glue feeder 10 lt complete with PVC hose 5 m and straight lance	
AT10E00P99	Stainless steel pneumatic glue feeder 10 lt complete with PVC hose 5 m and gun with anatomic handle	



CODE	DESCRIPTION	PRICE
AT20E0002	Stainless steel pneumatic glue feeder 20 lt complete with PVC hose 5 m and straight lance	
AT20E00P99	Stainless steel pneumatic glue feeder 20 lt complete with PVC hose 5 m and gun with anatomic handle	

CODE	DESCRIPTION	PRICE
AT40E0002	Stainless steel pneumatic glue feeder 40 lt complete with PVC hose 5 m and straight lance	
AT40E00P99	Stainless steel pneumatic glue feeder 40 lt complete with PVC hose 5 m and gun with anatomic handle	



ACCESSORIES FOR GLUES



CODE	DESCRIPTION	PRICE
VSGB201	Manual gun with adjustable flow regulation, complete with universal nozzle	



CODE	DESCRIPTION	PRICE
VSGB287	Alluminium glue spreader with rubber rollers-width 180mm	



CODE	DESCRIPTION	PRICE
VSGBNI/201	Manual gun with adjustable flow and anatomic handle	



CODE	DESCRIPTION	PRICE
VSBG305MOC	short head injector, brass body Ø 0,4-0,6-0,8-1,0-1,2-1,5	
VSBG305MOL	long head injector, brass body Ø 0,4-0,6-0,8-1,0-1,2-1,5	
VSBG305MIC	short head injector, s.steel body Ø 0,4-0,6-0,8-1,0-1,2-1,5	
VSBG305MIL	long head injector, s.steel body Ø 0,4-0,6-0,8-1,0-1,2-1,5	



- Injectors suitable for glues with low and medium viscosity
 - Available version with different nozzle types.
- Thanks to the double effect, the inner stem provide a fast and precise flow rate cycle (opening and closing)

CODE	DESCRIPTION	PRICE
VSGBA02	Manual gun in aluminium with adjustable flow, complete with universal nozzle	

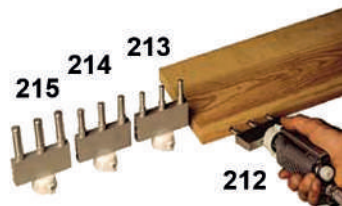


CODE	DESCRIPTION	PRICE
VSGBNI/303	Manual gun with adjustable flow and anatomic handle	



CODE	DESCRIPTION	PRICE
VSGB201CH	Gun for aggressive chemicals / Bostik	

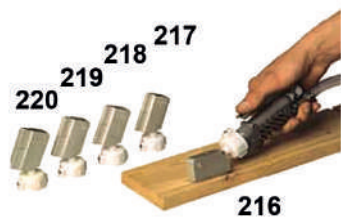
ACCESSORIES FOR GLUES



CODE	DESCRIPTION	PRICE
VSBG212	Triple nozzle for plug holes distance between each plug 32 mm Ø 6x20	
VSBG213	Triple nozzle for plug holes distance between each plug 32 mm Ø 8x25	
VSBG214	Triple nozzle for plug holes distance between each plug 32 mm Ø 10x30	
VSBG215	Triple nozzle for plug holes distance between each plug 32 mm Ø 12x40	

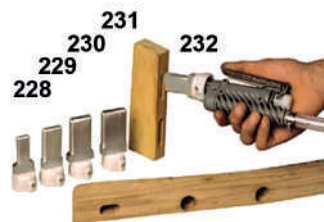


ART. 227



CODE	DESCRIPTION	PRICE
VSBG227	Nozzles for multiple grooves, supplied with drawing or wood sample, adjustable width.	

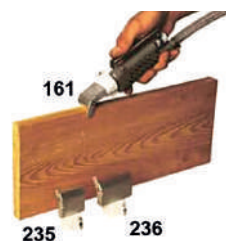
CODE	DESCRIPTION	PRICE
VSBG216	Grooves nozzle Ø 4x8	
VSBG217	Grooves nozzle Ø 5x12	
VSBG218	Grooves nozzle Ø 6x12	
VSBG219	Grooves nozzle Ø 8x13	
VSBG220	Grooves nozzle Ø 10x14	



CODE	DESCRIPTION	PRICE
VSBG228	Joint nozzle Ø 8x20	
VSBG229	Joint nozzle Ø 8x25	
VSBG230	Joint nozzle Ø 8x30	
VSBG231	Joint nozzle Ø 10x25	
VSBG232	Joint nozzle Ø 10x30	
VSBG233	Joint nozzle Ø 10x35	
VSBG234	Joint nozzle Ø 12x30	
VSBG228/B	Joint nozzle Ø 12x35	
VSBG229/B	Joint nozzle Ø 12x40	



CODE	DESCRIPTION	PRICE
VSBG221	grooves nozzle for upper dispensing Ø 4x8	
VSBG222	grooves nozzle for upper dispensing Ø 5x12	
VSBG223	grooves nozzle for upper dispensing Ø 6x12	
VSBG224	grooves nozzle for upper dispensing Ø 8x13	
VSBG225	grooves nozzle for upper dispensing Ø 10x14	



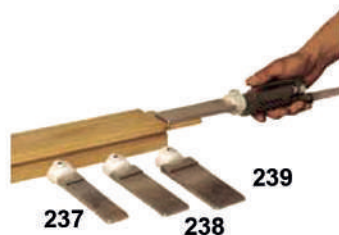
ART. 226



CODE	DESCRIPTION	PRICE
VSBG235	Edges nozzle with adjustable width from 10 to 30	
VSBG236	Edges nozzle with adjustable width from 20 to 40	
VSBG161	Edges nozzle with adjustable width from 40 to 60	

CODE	DESCRIPTION	PRICE
VSBG226	nozzle for lammellar joints, for lammellars 0 – 10 – 20	

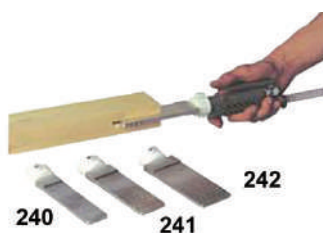
ACCESSORIES FOR GLUES



CODE	DESCRIPTION	PRICE
VSBG237	Universal spatula with one-side dispenser 100x30x5,5	
VSBG238	Universal spatula with one-side dispenser 100x40x5,5	
VSBG239	Universal spatula with one-side dispenser 100x50x5,5	



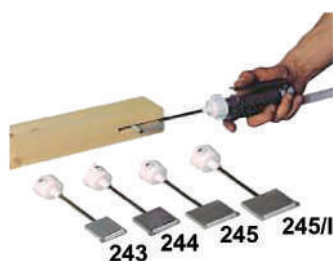
CODE	DESCRIPTION	PRICE
VSBG252/40	Female nozzle for single tenon \varnothing 6	
VSBG253/40	Female nozzle for single tenon \varnothing 8	
VSBG254/40	Female nozzle for single tenon \varnothing 10	
VSBG255/50	Female nozzle for single tenon \varnothing 6	
VSBG256/50	Female nozzle for single tenon \varnothing 8	
VSBG257/50	Female nozzle for single tenon \varnothing 10	



CODE	DESCRIPTION	PRICE
VSBG240	Universal spatulas with two-sided dispensing 100x30x5,5	
VSBG241	Universal spatulas with two-sided dispensing 100x40x5,5	
VSBG242	Universal spatulas with two-sided dispensing 100x50x5,5	



CODE	DESCRIPTION	PRICE
VSBG258/40	Male nozzle for double tenons 6x6x6	
VSBG259/40	Male nozzle for double tenons 8x8x8	
VSBG260/40	Male nozzle for double tenons 10x10x10	
VSBG261/50	Male nozzle for double tenons 6x6x6	
VSBG262/50	Male nozzle for double tenons 8x8x8	
VSBG263/50	Male nozzle for double tenons 10x10x10	



CODE	DESCRIPTION	PRICE
VSBG243	Spatula with roll for internal and external application 30 \varnothing 7	
VSBG244	Spatula with roll for internal and external application 40 \varnothing 7	
VSBG245	Spatula with roll for internal and external application 50 \varnothing 7	
VSBG245/I	Spatula with roll for internal and external application 60 \varnothing 7	



CODE	DESCRIPTION	PRICE
VSBG264/40	Female nozzle for double tenons 6x6x6	
VSBG265/40	Female nozzle for double tenons 8x8x8	
VSBG266/40	Female nozzle for double tenons 10x10x10	
VSBG267/50	Female nozzle for double tenons 6x6x6	
VSBG268/50	Female nozzle for double tenons 8x8x8	
VSBG269/50	Female nozzle for double tenons 10x10x10	

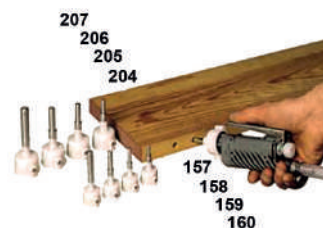


CODE	DESCRIPTION	PRICE
VSBG246/40	Male nozzle for single tenon. For quarry of 6	
VSBG247/40	Male nozzle for single tenon. For quarry of 8	
VSBG248/40	Male nozzle for single tenon. For quarry of 10	
VSBG249/50	Male nozzle for single tenon. For quarry of 6	
VSBG250/50	Male nozzle for single tenon. For quarry of 8	
VSBG251/50	Male nozzle for single tenon. For quarry of 10	

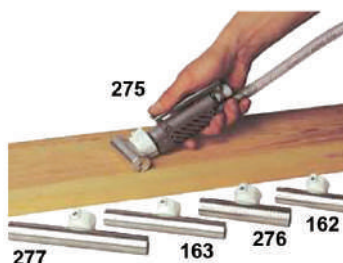
ACCESSORIES FOR GLUES



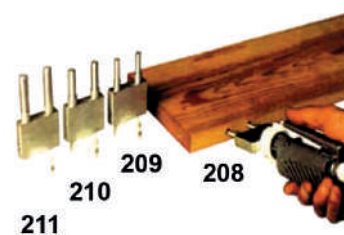
CODE	DESCRIPTION	PRICE
VSBG270	Brush nozzles Ø 10	
VSBG271	Brush nozzles Ø 15	
VSBG272	Brush nozzles Ø 20	
VSBG273	Brush nozzles Ø 30	
VSBG274	Brush nozzles Ø 40	



CODE	DESCRIPTION	PRICE
VSBG204	Nozzle for plug holes Ø 6x20	
VSBG205	Nozzle for plug holes Ø 8x25	
VSBG206	Nozzle for plug holes Ø 10x30	
VSBG207	Nozzle for plug holes Ø 12x40	
VSBG157	Nozzle for plug holes Ø 14	
VSBG158	Nozzle for plug holes Ø 15	
VSBG159	Nozzle for plug holes. Ø 16	
VSBG160	Nozzle for plug holes Ø 18	



CODE	DESCRIPTION	PRICE
VSBG275	Nozzles for flat surfaces width 70	
VSBG162	Nozzles for flat surfaces width 90	
VSBG276	Nozzles for flat surfaces width 120	
VSBG163	Nozzles for flat surfaces width 150	
VSBG277	Nozzles for flat surfaces width 180	



CODE	DESCRIPTION	PRICE
VSBG208	Double nozzles for plug holes distance between centers 32 mm Ø 6x20	
VSBG209	Double nozzles for plug holes distance between centers 32 mm Ø 8x25	
VSBG210	Double nozzles for plug holes distance between centers 32 mm Ø 10x30	
VSBG211	Double nozzles for plug holes distance between centers 32 mm Ø 12x40	

ART. 202



CODE	DESCRIPTION	PRICE
VSBG202	Universal nozzle	

ART. 203



CODE	DESCRIPTION	PRICE
VSBG203	Adjustable guide support for universal nozzle	



CODE	DESCRIPTION	PRICE
VSBG295	Plastic gun housing	
VSBGR5	Nylon fitting with holes	
VSBGR6	Nylon fitting	

ACCESSORIES FOR GLUES



ART. 299

CODE	DESCRIPTION	PRICE
VSBG299	Nylon hose strengthened 4 mt with fittings	

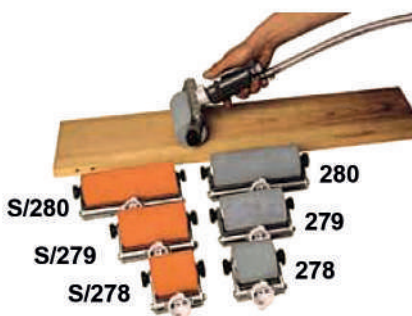


CODE	DESCRIPTION	PRICE
VSBG297	Glue container for 5 kg dispenser	
VSBG298	Glue container for 10 kg dispenser	



CODE	DESCRIPTION	PRICE
VSBG306-G/P	Adaptor for guns and nozzles with different joint	
VSBG307-P/G	Adaptor for guns and nozzles with different joint	
VSBG308-G/LS	Adaptor for guns and nozzles with different joint	
VSBG309-LS/G	Adaptor for guns and nozzles with different joint	

**THE ORANGE ROLL IS IN FOAM,
IDEAL FOR POROUS AND/OR WAVY SURFACES.
THE GREY ROLL IS IN RUBBER,
IDEAL FOR SMOOTH AND PLAN SURFACES**



CODE	DESCRIPTION	PRICE
VSBG278	Nozzles with rubber roller for surfaces width 70	
VSBG279	Nozzles with rubber roller for surfaces width 120	
VSBG164	Nozzles with rubber roller for surfaces width 150	
VSBG280	Nozzles with rubber roller for surfaces width 180	
VSBGS/278	Nozzles with foam roller for surfaces width 70	
VSBGS/279	Nozzles with foam roller for surfaces width 120	
VSBGS/164	Nozzles with foam roller for surfaces width 150	
VSBGS/280	Nozzles with foam roller for surfaces width 180	
VSBG281	Spare rubber roller for surfaces width 70	
VSBG282	Spare rubber roller for surfaces width 120	
VSBG283	Spare rubber roller for surfaces width 180	
VSBG284	Spare foam roller for surfaces width 70	
VSBG285	Spare foam roller for surfaces width 120	
VSBG286	Spare foam roller for surfaces width 180	
VSBGP/284	Spare pin for rollers 70	
VSBGP/285	Spare pin for rollers 120	
VSBGP/286	Spare pin for rollers 180	

PRESSURE TANKS

Certificate

Module A2

according to Directive 2014/68/EU

Certificate No: 01 202 CHNÜ-190008

Name and address of the manufacturer: **Foshan Nanhai Ding Rong Air Tool Industry Co., Ltd.**
No. 8 Shunjing Road, Hegui Industrial Zone, Lishui Town, Nanhai District, Foshan City, Guangdong Province, 528241, P.R. China

According to the test results, the manufacturer is entitled to mark the pressure equipment produced within the range of this module with the mark

CE 0035

Tested according to Directive 2014/68/EU: **Module A2** – Internal production control plus supervised pressure equipment checks at random intervals

Test report no: CHNÜ-190008

Description of pressure equipment: 10L-20L Pressure Tank in Category I
40L-100L Pressure Tank in Category II

according to Drawing No.: RT10L C Rev.0, RT140L S Rev.0, RT20L C Rev.0, RT20L S Rev.0, RT40L C Rev.0, RT40L S Rev.0, RT60L C Rev.0, RT60L S Rev.0, RT80L C Rev.0, RT80L S Rev.0, RT100L C Rev.0, RT100L S Rev.0

Manufacturing plant/Supplier: **Foshan Nanhai Ding Rong Air Tool Industry Co., Ltd.**
No. 8 Shunjing Road, Hegui Industrial Zone, Lishui Town, Nanhai District, Foshan City, Guangdong Province, 528241, P.R. China

During the periodical monitoring, compliance with the directive has been demonstrated

Shanghai, September 29, 2019

Jack Wang



TÜV Rheinland Industrie Service GmbH
Notified Body for Pressure Equipment, ID No. 2035
Alte Gärerei Str. 11-13, 50829 Köln, Germany

TÜV Building, No. 177, Lane 777
West Guangzhong Road, Zhaoyuan District, Shanghai, China
Tel: +86 21 61031100, Fax: +86 21 61031100, 1139
E-mail: tsv@tuv.com.cn

DNF 41-10001



www.tuv.com

THE PRESSURE TANKS
OF THE VAL SPRAY LINE
COMPLY WITH THE
“PED” REGULATION: THE
DIRECTIVE CONCERNING
THE DISTRIBUTION ON THE
MARKET OF PRESSURE
EQUIPMENT: 2014/68/EU

**OUR TANKS ARE CERTIFIED FOR
USE WITH MAXIMUM PRESSURE
UP TO 7 BAR**

Certificate



Certificate No: SEP154149716-1

Name and address of the manufacturer: **Foshan Nanhai Ding Rong Air Tool Industry Co., Ltd.**
No. 8 Shunjing Road, Hegui Industrial Zone, Lishui Town, Nanhai District, Foshan City, Guangdong Province, 528241, P.R. China

Description of product: Pressure Tank
(2L, 5L, PS: 7bar, min/max: TS 0/+50°C)

Test report no: T154149716-001 (test report see annex)

The product described above is in compliance with the requirement of the Sound Engineering Practice according to Article 4 (3) of the Pressure Equipment Directive 2014/68/EU.

Subject to the continued satisfactory operation of the company, and to annually audits as per TÜV Rheinland General Procedure.

Shanghai, August 22, 2018

Jack Wang



TÜV Rheinland (Shanghai) Co., Ltd.
No. 177, Lane 777, West Guangzhong Road, Shanghai, 200070
Tel: +86 21 61031100, Fax: +86 21 61031100

PRESSURE TANKS



AT 10B

PRESSURE TANK BASIC VERSION

CODE:	AT83200
INSIDE DIMENSION:	ø24 cm - H 25 cm
CAPACITY:	8,5 lt
MAX PRESSURE:	4,5 bar
PRICE:	

AT 10D

PRESSURE TANK BASIC VERSION

CODE:	AT10D00
INSIDE DIMENSION:	ø22 cm - H 29 cm
CAPACITY:	8,5 lt
MAX PRESSURE:	4,1 bar
PRICE:	



AT 2E P

PRESSURE TANK WITH PRODUCT PRESSURE REGULATION

CODE:	AT2E00PR
INSIDE DIMENSION:	ø15 cm - H 43 cm
CAPACITY:	2 lt
MAX PRESSURE:	3,4 bar
PRICE:	

PRESSURE TANKS



AT 2ESS

STAINLESS STEEL PRESSURE TANK WITH PRODUCT PRESSURE REGULATION

CODE:	AT2ES00
INSIDE DIMENSION:	ø16 cm - H 17 cm
CAPACITY:	2 lt
MAX PRESSURE:	3,4 bar
PRICE:	

AT 2ASS

STAINLESS STEEL PRESSURE TANK COMPLETE WITH AGITATOR AND PRODUCT PRESSURE REGULATION

CODE:	AT2AS00
INSIDE DIMENSION:	ø16 cm - H 17 cm
CAPACITY:	2 lt
MAX PRESSURE:	4,1 bar
PRICE:	



AT 5ESS - AT 5ASS

STAINLESS STEEL PRESSURE TANK COMPLETE WITH AGITATOR AND PRODUCT PRESSURE REGULATION

CODE:	AT5ES00PR	AT5AS00PR
INSIDE DIMENSION:	ø18 cm - H 20 cm	ø18 cm - H 20 cm
CAPACITY:	5 lt	5 lt
MAX PRESSURE:	4,5 bar	4,5 bar
PRICE:		



PRESSURE TANKS

WITH BASKET
INS. STEEL
10-20-40-60-80L



AT 10-20-40-60-80 ECONOMIC

PRESSURE TANK WITH PRODUCT PRESSURE REGULATION

CODE:	AT10EPR	AT20EPR	AT40EPR	AT60EPR	AT80E
INSIDE DIMENSION:	ø25 cm - H 19 cm	ø29 cm - H 37 cm	ø35 cm - H 40 cm	ø35 cm - H 55 cm	ø35 cm - H 77 cm
CAPACITY:	10 lt	20 lt	40 lt	60 lt	80 lt
MAX PRESSURE:	4,5 bar	4,5 bar	4,5 bar	4,5 bar	4,5 bar
PRICE:					

PRESSURE TANKS

WITH BASKET
IN S. STEEL
10-20-40-60-80L



AT 10-20-40-60-80 MANUAL

PRESSURE TANK COMPLETE WITH MANUAL AGITATOR AND PRODUCT PRESSURE REGULATION

CODE:	AT10MPR	AT20MPR	AT40MPR	AT60MPR	AT80M
INSIDE DIMENSION:	ø25 cm - H 19 cm	ø29 cm - H 37 cm	ø35 cm - H 40 cm	ø35 cm - H 55 cm	ø35 cm - H 77 cm
CAPACITY:	10 lt	20 lt	40 lt	60 lt	80 lt
MAX PRESSURE:	4,5 bar	4,5 bar	4,5 bar	4,5 bar	4,5 bar
PRICE:					

PRESSURE TANKS

WITH BASKET
INS. STEEL
10-20-40-60-80L



AT 10-20-40-60-80 AUTOMATIC

PRESSURE TANK COMPLETE WITH PNEUMATIC AGITATOR AND PRODUCT PRESSURE REGULATION

CODE:	AT10APR	AT20APR	AT40APR	AT60APR	AT80A
INSIDE DIMENSION:	ø25 cm - H 19 cm	ø29 cm - H 37 cm	ø35 cm - H 40 cm	ø35 cm - H 55 cm	ø35 cm - H 77 cm
CAPACITY:	10 lt	20 lt	40 lt	60 lt	80 lt
MAX PRESSURE:	4,5 bar	4,5 bar	4,5 bar	4,5 bar	4,5 bar
PRICE:					

PRESSURE TANKS

WITH BASKET
IN S. STEEL
10-20-40-60-80L



AT 10-20-40-60 GRAVITY

PRESSURE TANK WITH BOTTOM OUTLET AND PRODUCT PRESSURE REGULATION

CODE:	AT10EFG	AT20EFG	AT40EFG	AT60EFG
INSIDE DIMENSION:	ø25 cm - H 19 cm	ø29 cm - H 36 cm	ø35 cm - H 40 cm	ø35 cm - H 55 cm
CAPACITY:	10 lt	20 lt	40 lt	60 lt
MAX PRESSURE:	4,5 bar	4,5 bar	4,5 bar	4,5 bar
PRICE:				

PRESSURE TANKS



AT 10-20-40 S. STEEL ECONOMIC

STAINLESS STEEL PRESSURE TANK WITH PRODUCT PRESSURE REGULATION

CODE:	AT10ESPR	AT20ESPR	AT40ESPR
INSIDE DIMENSION:	ø25 cm - H 19 cm	ø29 cm - H 36 cm	ø35 cm - H 40 cm
CAPACITY:	10 lt	20 lt	40 lt
MAX PRESSURE:	4,5 bar	4,5 bar	4,5 bar
PRICE:			

PRESSURE TANKS



AT 10-20-40 S. STEEL MANUAL

STAINLESS STEEL PRESSURE TANK COMPLETE WITH MANUAL AGITATOR AND PRODUCT PRESSURE REGULATION

CODE:	AT10MSPR	AT20MSPR	AT40MSPR
INSIDE DIMENSION:	ø25 cm - H 19 cm	ø29 cm - H 36 cm	ø35 cm - H 40 cm
CAPACITY:	10 lt	20 lt	40 lt
MAX PRESSURE:	4,5 bar	4,5 bar	4,5 bar
PRICE:			

PRESSURE TANKS



AT 10-20-40 S. STEEL AUTOMATIC

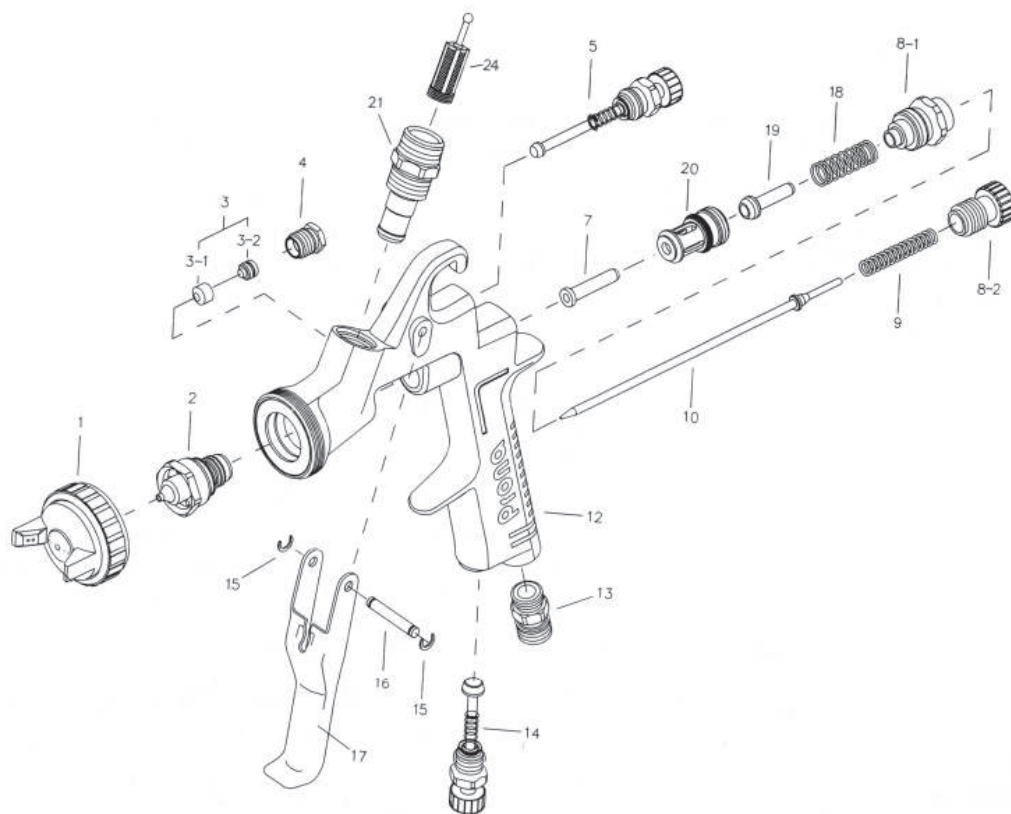
STAINLESS STEEL PRESSURE TANK COMPLETE WITH PNEUMATIC AGITATOR AND PRODUCT PRESSURE REGULATION

CODE:	AT10ASPR	AT20ASPR	AT40ASPR
INSIDE DIMENSION:	ø25 cm - H 19 cm	ø29 cm - H 36 cm	ø35 cm - H 40 cm
CAPACITY:	10 lt	20 lt	40 lt
MAX PRESSURE:	4,5 bar	4,5 bar	4,5 bar
PRICE:			

GUNS AND ACCESSORIES EXPLODED VIEW

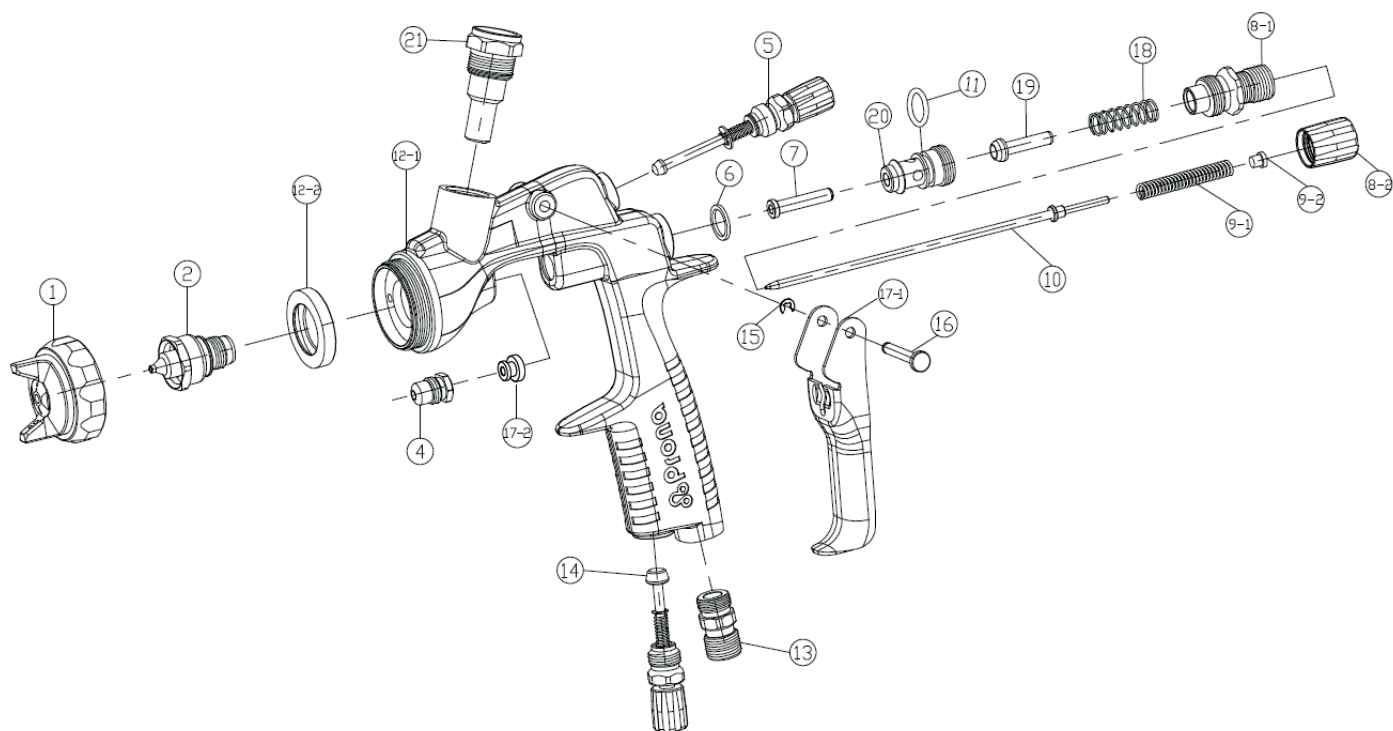
591.....	298	RA 4300	308
AGITATOR RB-40A.....	342	RAC SERIES	304
AGITATOR RB-FA	341	RAL 100 - RAL 200.....	309
AH 827.....	286	RAR 100 - RAR 200	310
AH 2000.....	287	RAR 1000 - RAR 2000	305
AM 5008 LVLP	284	RAR 1001 - RAR 200SI.....	311
AM 6008.....	297	RL 90 F/R.....	288
HG72P.....	325	SGD 71.....	299
HG 74S.....	316	VS 21.....	329
HG 76.....	326	VS 22.....	330
LIQUID REDUCER 0-6 BAR	337	VS 23.....	328
LIQUID REDUCER 0-6 BAR RP.....	339	VS 41 LIGHT	331
LIQUID REDUCER 0-50 BAR	338	VS 300.....	318
MASTIC 24E.....	324	VS 360.....	320
MRS DOUBLE.....	302	VS 500.....	317
MRS F/R.....	300	VS 503.....	290
OPTIMA 21 LIGHT.....	336	VS 603.....	289
OPTIMA 2000.....	335	VS 650.....	322
OPTIMA 2100	334	VS 703	281
ORBITAL SANDER RP-51.....	343	VS 720	321
P 2003 OUT OF PRODUCTION.....	313	VS 810.....	293
PRESSURE REDUCER RPR-6S	340	VS 818	319
PRO FOREX.....	327	VS 820.....	294
PRO LIGHT 500	323	VS 830.....	282
R2 R/F OUT OF PRODUCTION	314	VS 4300.....	283
R 71.....	295	VSA 81.....	315
R 77.....	296	VSPRO-BI 891.....	303
R210 1H - 2H.....	301	VS Z3.....	285
R 715	291	XCITE KREMLIN.....	333
R 775	292		
R-2200 AC.....	332		
RA 60 - RA 80	312		
RA 100 - RA 200	307		
RA 210.....	306		

VS 703



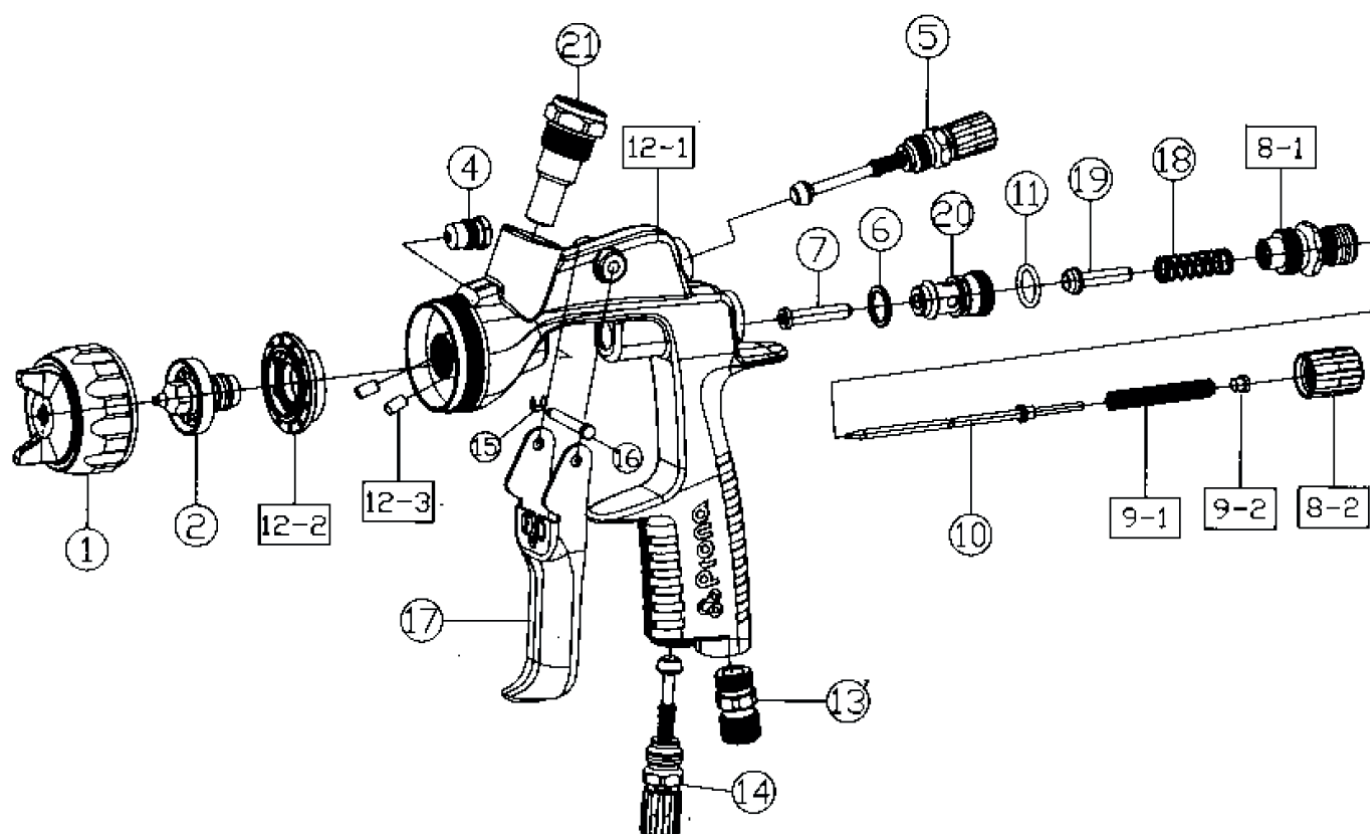
CODE	POS.	DESCRIPTION	PRICE
VS7S4020XX	2 / 10	Fluid nozzle and needle	
VS7S40340	3 / 4	Fluid needle gasket and screw	
VS7S40500	5	Fan regulation	
VS7S40700	7	Needle guide	
VS7S40810	8 - 1	Air valve guide	
VS7S40820	8 - 2	Needle regulation	
VS7S40900	9	Needle spring	
VS7S41300	13	Air connection	
VS7S41400	14	Air regulation	
VS7S41500	15	Seeger	
VS7S41600	16	Trigger pin	
VS7S41700	17	Trigger	
VS7S41800	18	Air valve spring	
VS7S41900	19	Air valve	
VS7S42000	20	Air valve body complete	
VS7S42100	21	Fluid connection	
23003	24	Nylon cup filter	
VS7S4001XX	1/2/10	Nozzle, needle and air cap kit	
RC6RM		Nylon cup 600cc M 16x1.5	
RC6RMP		Pressure nylon cup 600cc M 16x1.5	
VS7S4010XX		VLSVB2 Air cap	
VS7S4011XX		VLSVB1 Air cap	
VS7S4012XX		VWS2B Air cap	

VS 830



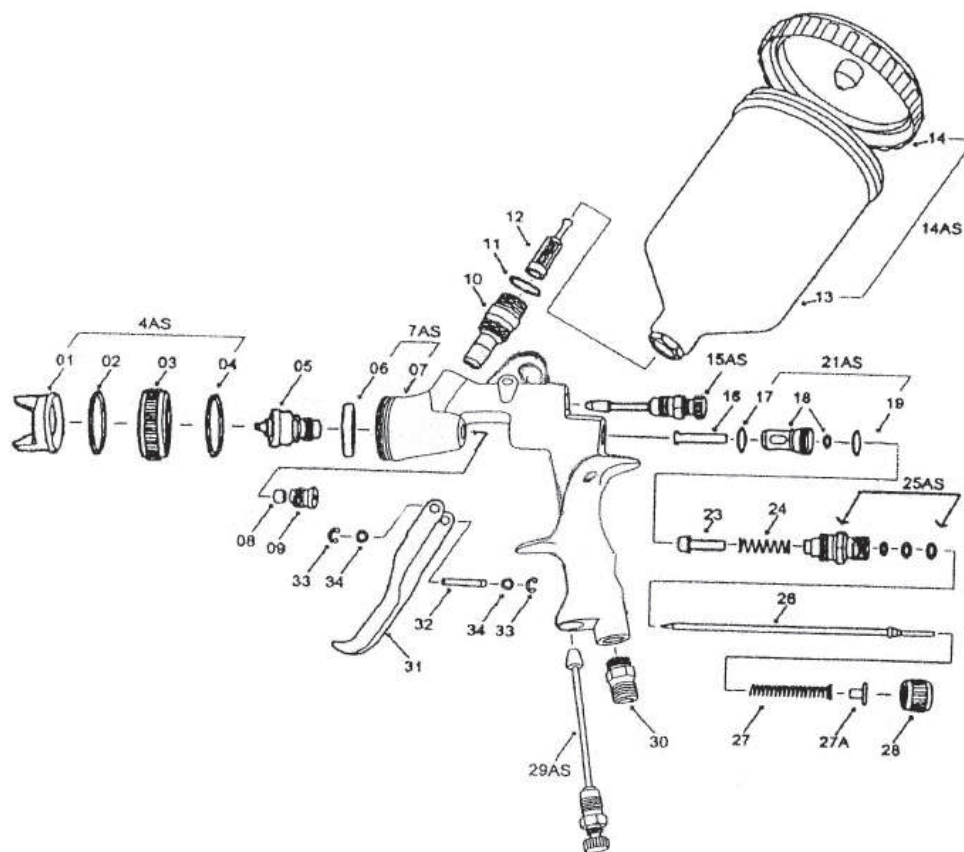
CODE	POS.	DESCRIPTION	PRICE
830R001	1	Air cap	
830R2XX	2/10	Nozzle and needle kit	
830R004	4	Fluid needle gasket and screw	
830R005	5	Fan regulation	
830R006	6	Needle guide gasket	
830R007	7	Needle guide	
830R081	8-1	Air valve guide	
830R082	8-2	Needle regulation	
830R091	9-1	Needle spring	
830R092	9-2	Gasket	
830R011	11	O-ring	
830R022	12-2	Air cap gasket	
830R013	13	Air connection	
830R014	14	Air regulation	
830R015	15	Seeger	
830R016	16	Pin	
830R171	17-1	Trigger	
830R172	17-2	Trigger guide	
830R018	18	Air valve spring	
830R019	19	Air valve	
830R020	20	Air valve complete body	
830R021	21	Fluid inlet connection	
RC6RM		Nylon cup 600cc M 16x1.5	
RC6RMP		Pressure nylon cup 600cc M 16x1.5	
830R1XX	1/2/10	Nozzle, needle and air cap kit	

VS 4300



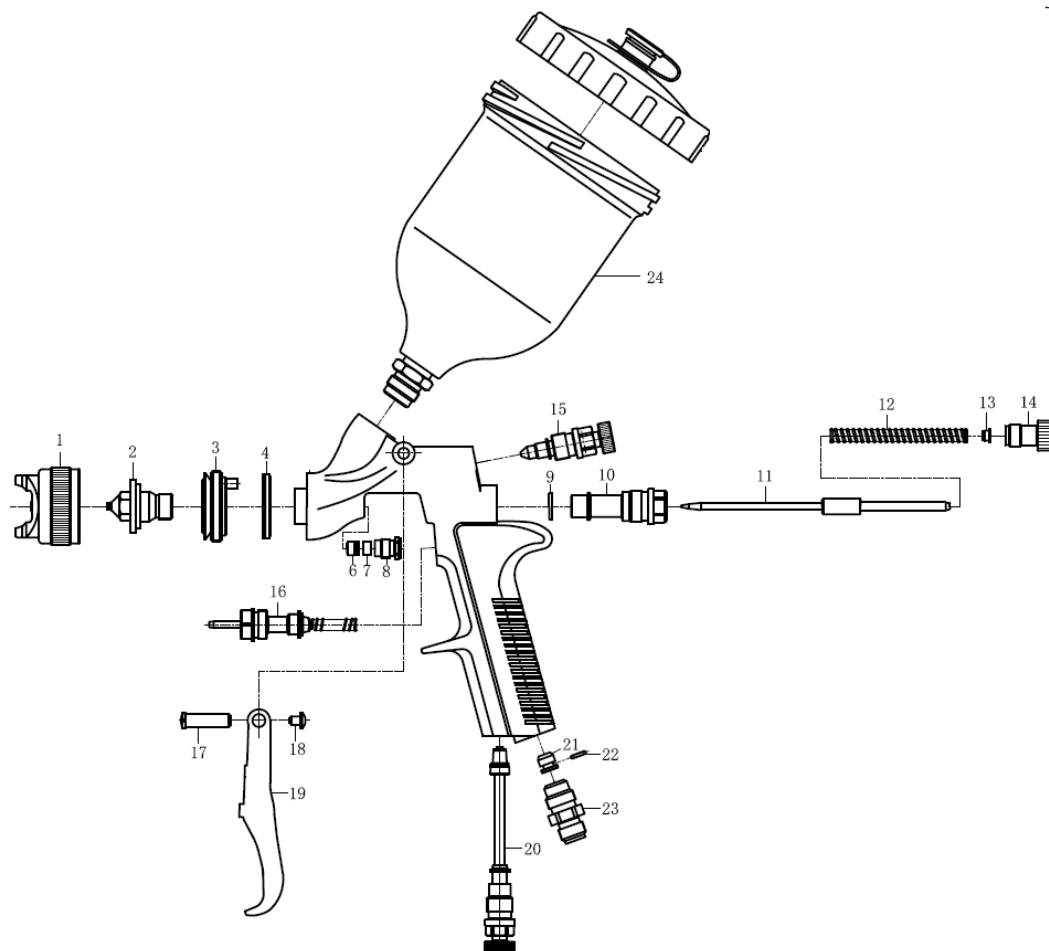
CODE	POS.	DESCRIPTION	PRICE
4300R001	1	Air cap RP - HVLP	
4300R1XX	1/2/10	Nozzle, needle and air cap kit	
4300R2XX	2/10	Nozzle and needle kit	
4300R004	4	Fluid needle gasket and screw	
4300R005	5	Fan regulation	
4300R006	6	Needle guide gasket	
4300R007	7	Needle guide	
4300R081	8-1	Air valve guide	
4300R082	8-2	Needle regulation	
4300R091	9-1	Needle spring	
4300R092	9-2	Gasket	
4300R011	11	O-ring	
4300R132	12-2	Diffuser	
4300R123	12-3	Copper bead	
4300R013	13	Air connection	
4300R014	14	Air regulation	
4300R015	15	Seeger	
4300R016	16	Pin	
4300R017	17	Trigger	
4300R018	18	Air valve spring	
4300R019	19	Air valve	
4300R020	20	Air valve complete body	
4300R021	21	Fluid inlet connection	
RC6RM		Nylon cup 600cc M 16x1.5	
RC6RMP		Pressure nylon cup 600cc M 16x1.5	

AM 5008 LVLP



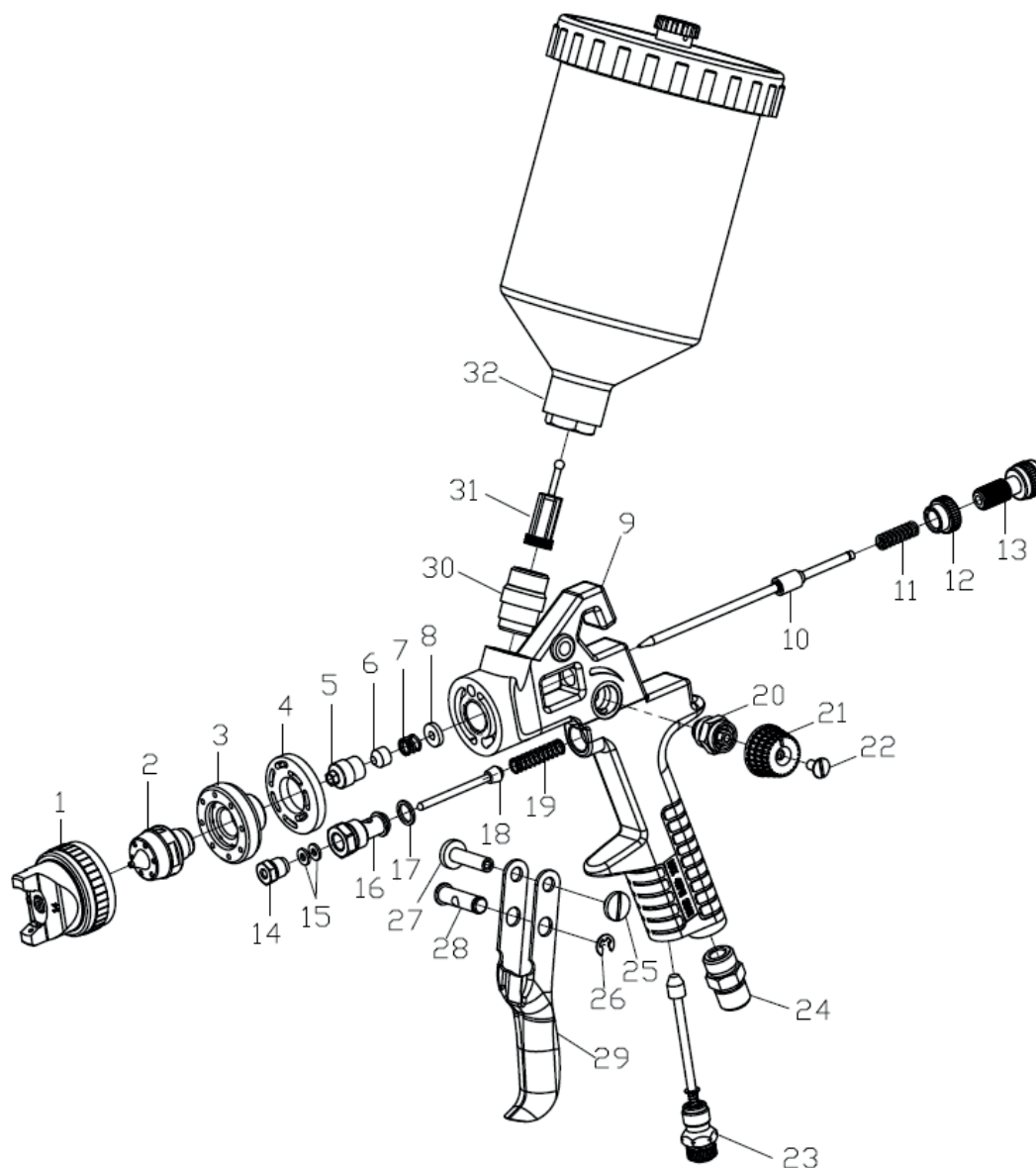
CODE	POS.	DESCRIPTION	PRICE
508L1XX	1/2/3/4	Air cap	
508L2XX	5/26	Fluid nozzle and needle kit	
508L006	6	Aluminium gasket	
508L008	8	Fluid needle gasket	
508L009	9	Fluid needle gasket screw	
508L010	10	Fluid inlet	
508L011	11	O-ring	
23003	12	Nylon cup filter	
RARC6R	14AS	Nylon cup 600 cc.	
508L015	15AS	Fan regulation	
508L016	16	Air valve rod	
508L017	17	O-ring	
508L018	18	Air valve body	
508L019	19	O-ring	
508L023	23	Air valve	
508L024	24	Air valve spring	
508L025	25AS	Needle guide	
608PL017	27	Needle spring	
608PL018	27A	Needle spring support	
608PL019	28	Needle regulation	
508L029	29AS	Air regulation	
608PL022	30	Air inlet	
608PL024	31	Trigger	
608PL025	32	Trigger pin	
608PL027	33	Seeger	
608PL026	34	Washer	
508L3XX	1/2/3/4/5/26	Nozzle, needle and air cap kit	

VS Z3



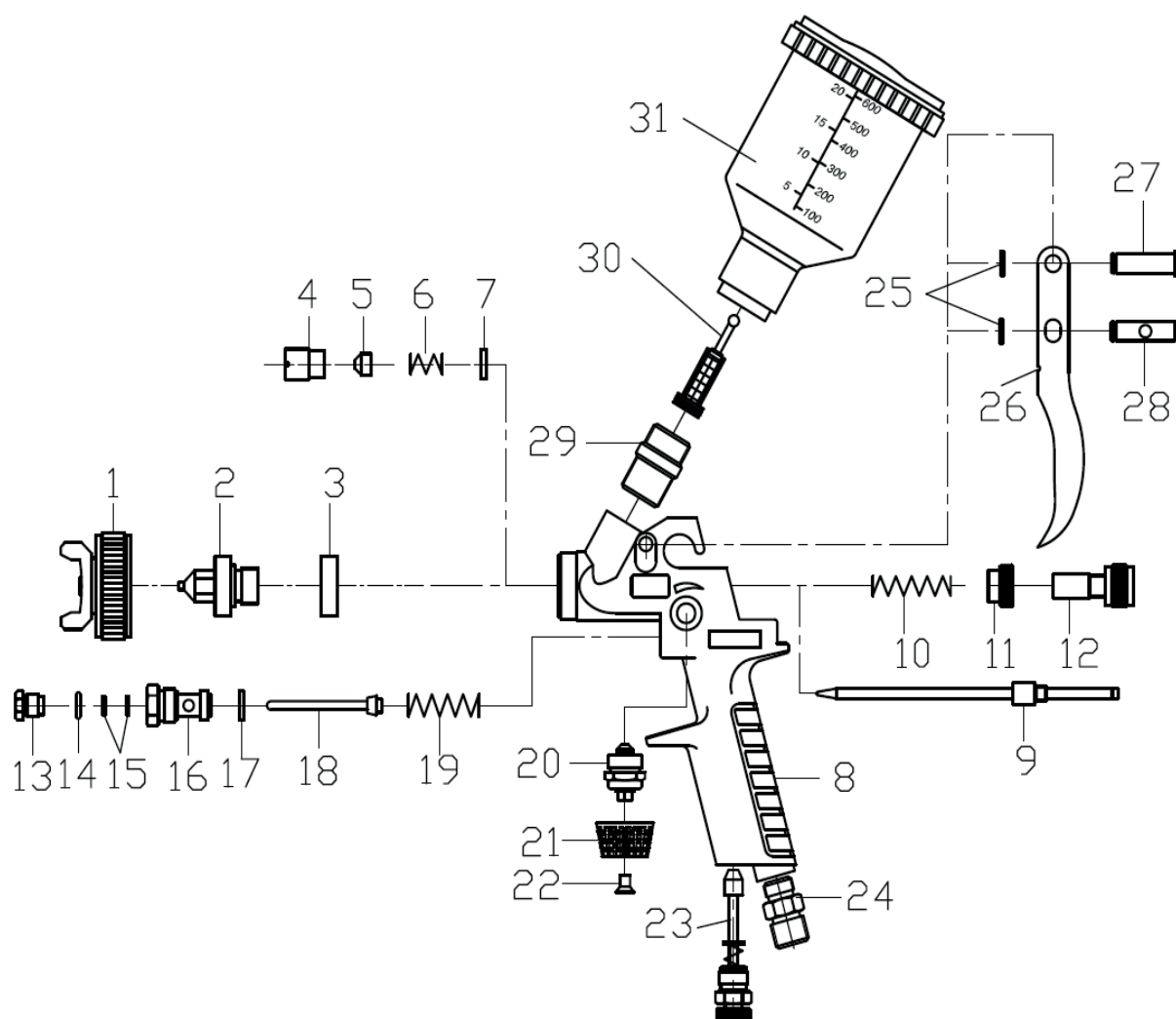
CODE	POS.	DESCRIPTION	PRICE
Z3R001	1	Air cap	
Z3RK1XX	1/2/11	Nozzle, needle and air cap kit	
Z3RK2XX	2/11	Fluid nozzle and needle kit	
Z3R0003	3	Diffuser	
Z3R0004	4	Air cap gasket	
Z3R0006	6/7/8	Fluid needle gasket and screw	
Z3R0009	9	Gasket	
Z3R0010	10	Needle guide	
Z3R0012	12/13/14	Needle spring set	
Z3R0015	15	Fan regulation	
Z3R0016	16	Air valve	
Z3R0017	17/18/19	Trigger	
Z3R0020	20	Air regulation	
Z3R0021	21/22/23	Air inlet	
Z3R0024	25	Nylon cup 600cc	
Z3R0024P	25	Pressure nylon cup 600cc	

AH 827



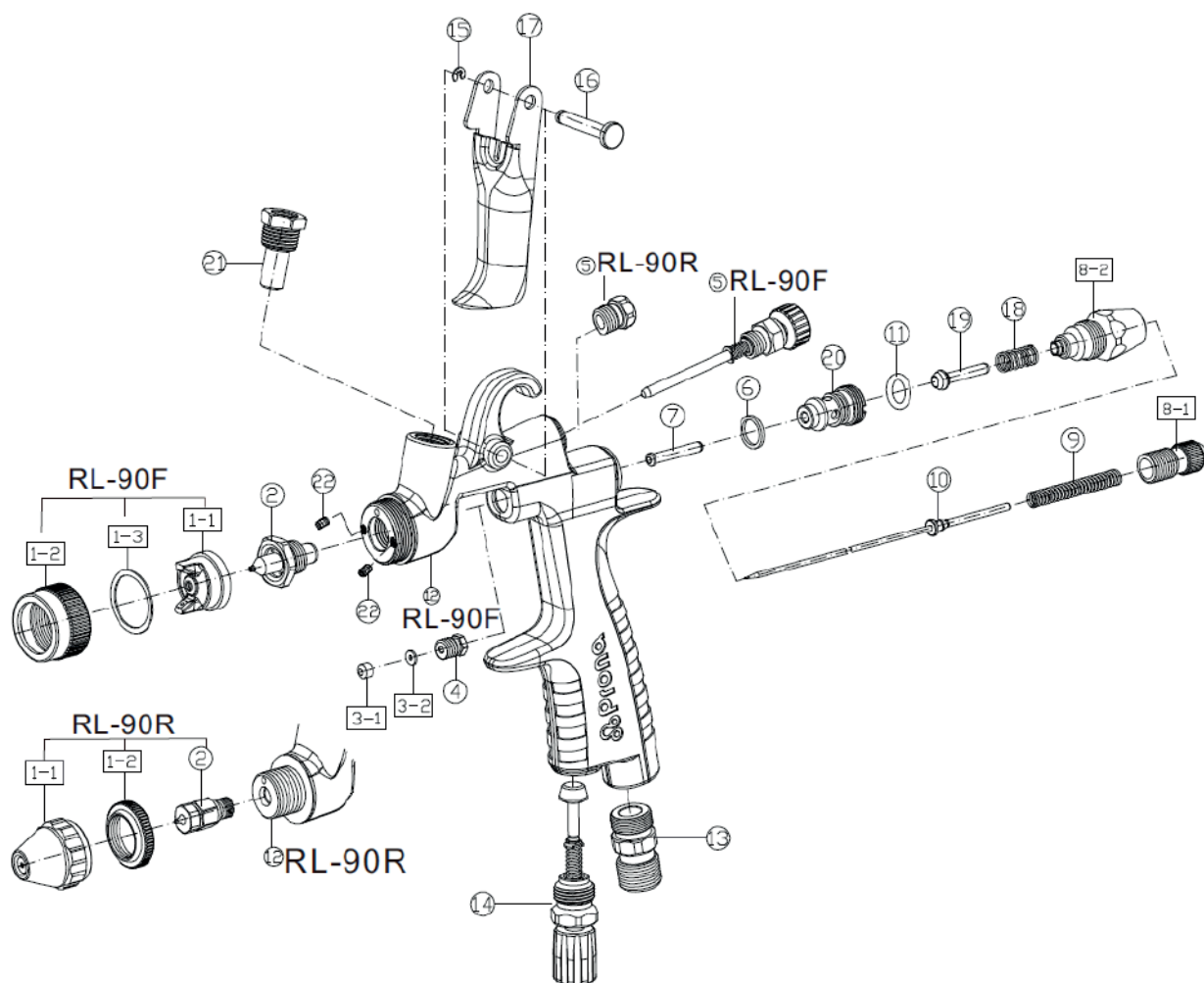
CODE	POS.	DESCRIPTION	PRICE	CODE	POS.	DESCRIPTION	PRICE
8274XX	1/2/10	Nozzle, needle and air cap kit		827033	23	Air regulation	
827009	3	Diffuser		827026	24	Air inlet connection	
827010	4	Gasket		827024	25/27	Trigger pin	
827005	5	Fluid needle gasket screw		827025	26/28	Bottom trigger pin	
827006	6	Fluid needle gasket		827023	29	Trigger	
827008	7	Spring		827011	30	Cup connection	
827007	8	Washer		23003	31	Nylon cup filter	
827017	11	Needle spring		RARC6R827	32	Nylon cup 600 cc	
827018	12	Needle guide		RAR10A	32	Aluminium cup 800cc	
827018A	13	Needle regulation		RARC6RP	32	Pressure nylon cup 600 cc	
827013A	14/15/16 17/18/19	Complete air valve					
827015B	20/1	Fan regulation					
82715A	22	Fan regulation screw					

AH 2000



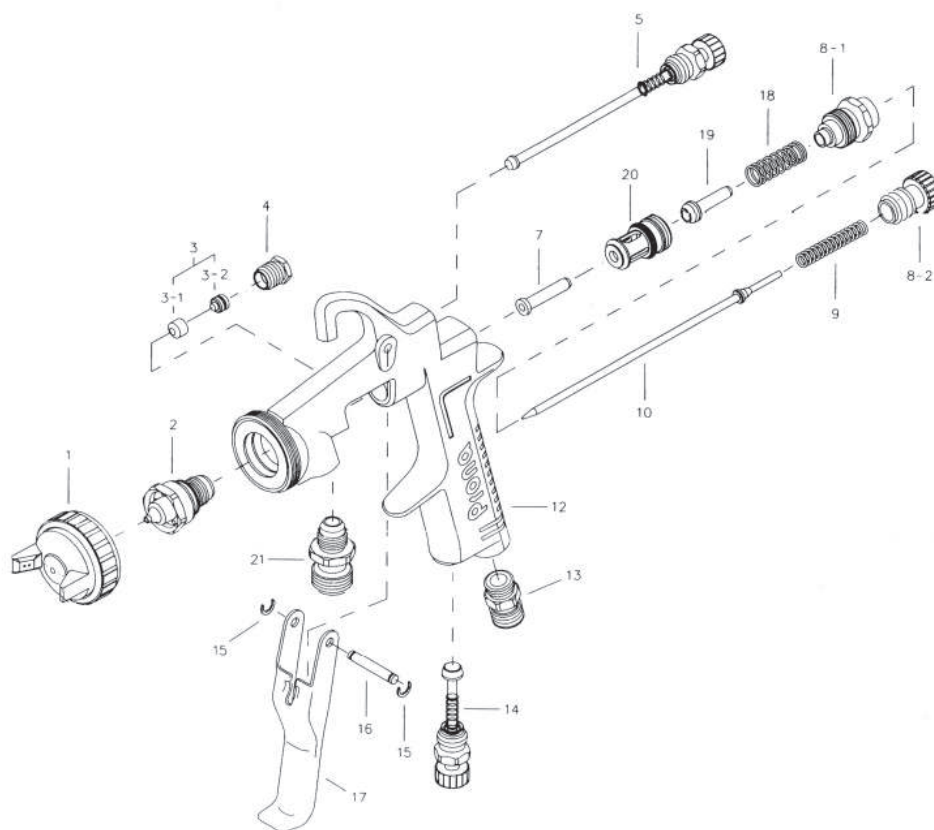
CODE	POS.	DESCRIPTION	PRICE	CODE	POS.	DESCRIPTION	PRICE
8284XX	1/2/10	Nozzle, needle and air cap kit		828014	25	Seeger	
828007	3	Diffuser		828013	26	Trigger	
828008	4/5/6/7	Fluid needle gasket and screw		828015	27	Trigger pin	
828020	10	Needle spring		828016	28	Bottom trigger pin	
828019	11/12	Needle regulation		828010	29	Cup connection	
828022	13/14/15/16 17/18/19	Complete air valve		23003	30	Nylon cup filter	
828034	20	Fan regulation		828012A	31	Nylon cup 125cc	
828029	21	Fan regulation knob					
828028	22	Fan regulation screw					
828042	23	Air regulation					
828035	24	Air inlet connection					

RL 90 F/R



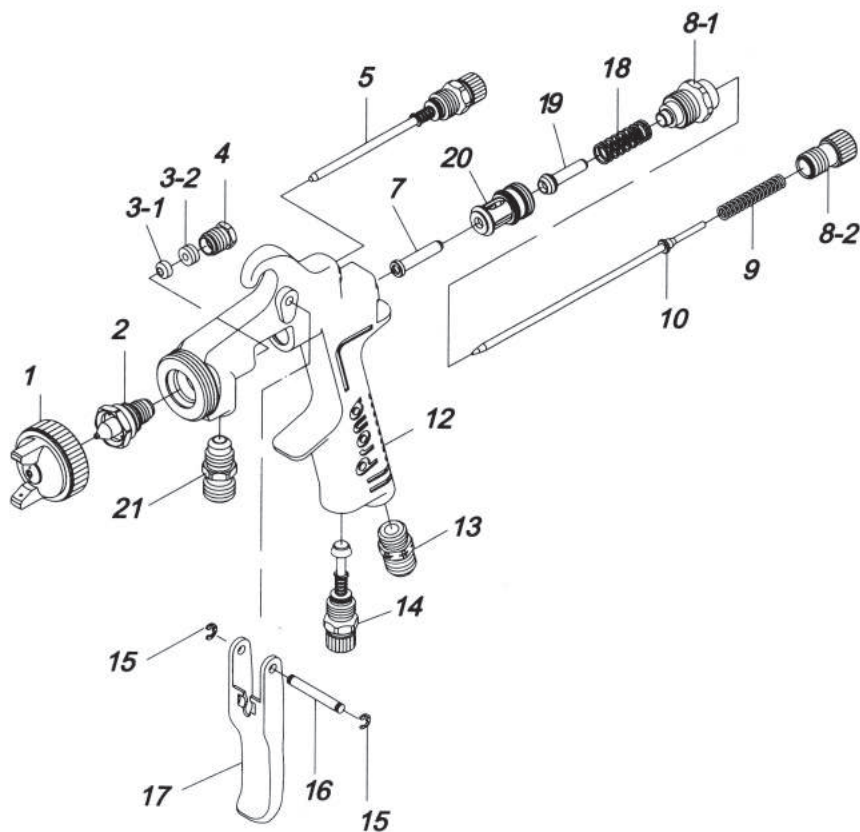
CODE	POS.	DESCRIPTION	PRICE	CODE	POS.	DESCRIPTION	PRICE
RL90KFXX	1/2/10	Nozzle kit RL 90F		RL90011	11	Gasket	
RL90KRXX	1/2/10	Nozzle kit RL 90R		RL90013	13	Air inlet connection	
RL90NXX	2/10	Fluid nozzle and needle kit		RL90014	14	Air regulation	
RL90031	3-1	Fluid nozzle gasket 1		RL90015	15	Seeger	
RL90032	3-2	Fluid nozzle gasket 2		RL90016	16	Trigger pin	
RL90004	4	Fluid needle gasket and screw		RL90017	17	Trigger	
RL9005F	5F	Fan regulation valve		RL90018	18	Air valve spring	
RL9005R	5R	Locking nut		RL90019	19	Air valve	
RL90006	6	Needle guide gasket		RL90020	20	Air valve body	
RL90007	7	Needle guide		RL90021	21	Fluid inlet	
RL90081	8-1	Air valve guide		RL90022	22	S. steel bead	
RL90082	8-2	Needle regulation		RL9001F	1F	Air cap F	
RL90009	9	Needle spring		RL9001R	1R	Air cap R	
				RC-51M00		Nylon cup 150 cc	

VS 603



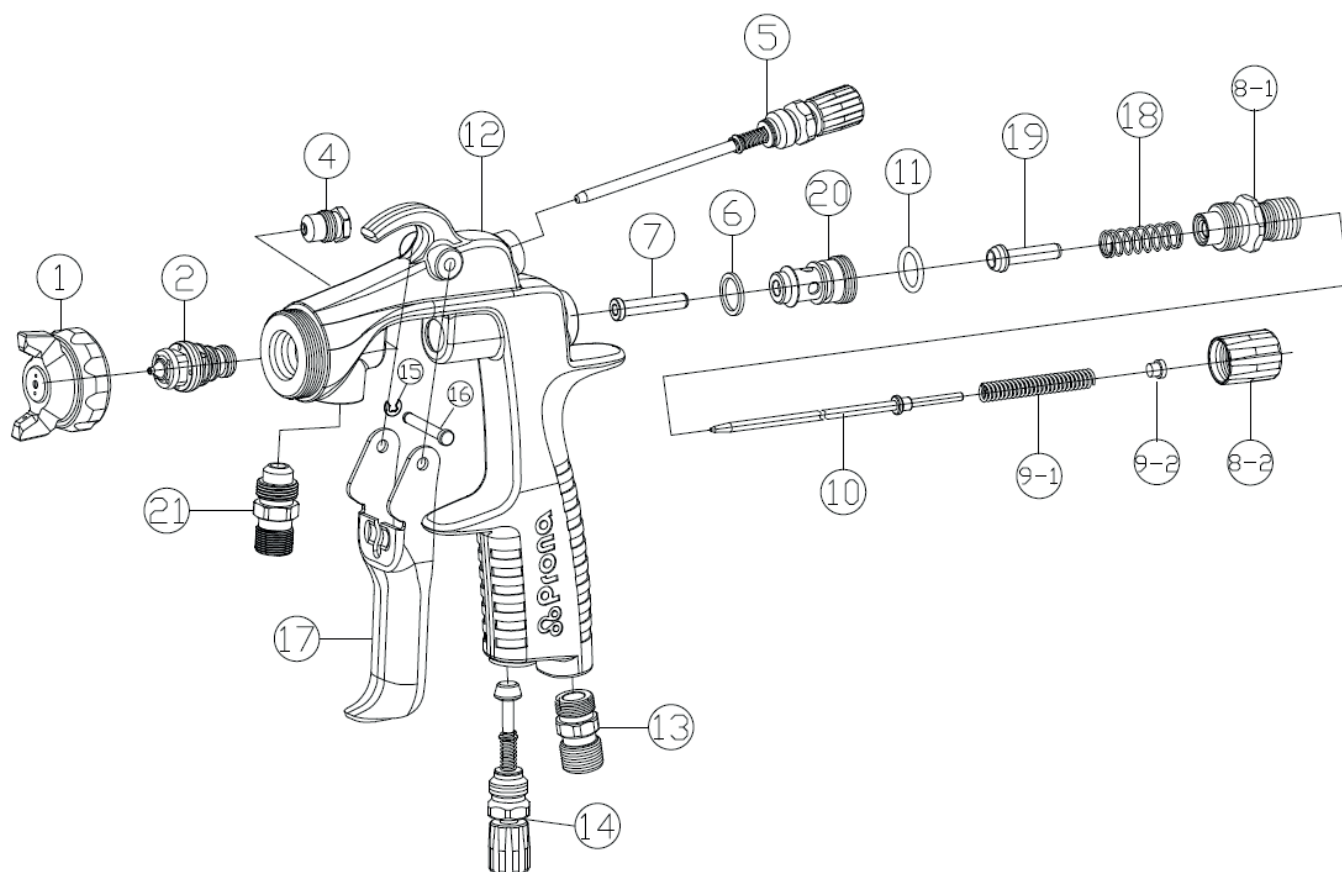
CODE	POS.	DESCRIPTION	PRICE
VS6P2020XX	2 / 10	Nozzle and needle kit	
VS6P20340	3 / 4	Fluid needle gasket and screw	
VS6P20500	5	Fan regulation	
VS6P20700	7	Needle guide	
VS6P20810	8 - 1	Air valve guide	
VS6P20820	8 - 2	Needle regulation	
VS6P20900	9	Needle guide	
VS6P21300	13	Air inlet connection	
VS6P21400	14	Air regulation	
VS6P21500	15	Seeger	
VS6P21600	16	Trigger pin	
VS6P21700	17	Trigger	
VS6P21800	18	Air valve spring	
VS6P21900	19	Air valve	
VS6P22000	20	Air valve body complete	
VS6P22100	21	Fluid inlet	
VS6P2001XX	1/2/10	Nozzle, needle and air cap kit	
VS6P2010XX		VGS2BP Air nozzle	
VS6P2011XX		VLSVB2 Air nozzle	
VS6P2012XX		VKS2B Air nozzle	
VS6P2013XX		VRS2B Air nozzle	
VS6P2014XX		VWS2B Air nozzle	
VS6P201RXX		Air nozzle ROUND	

VS 503



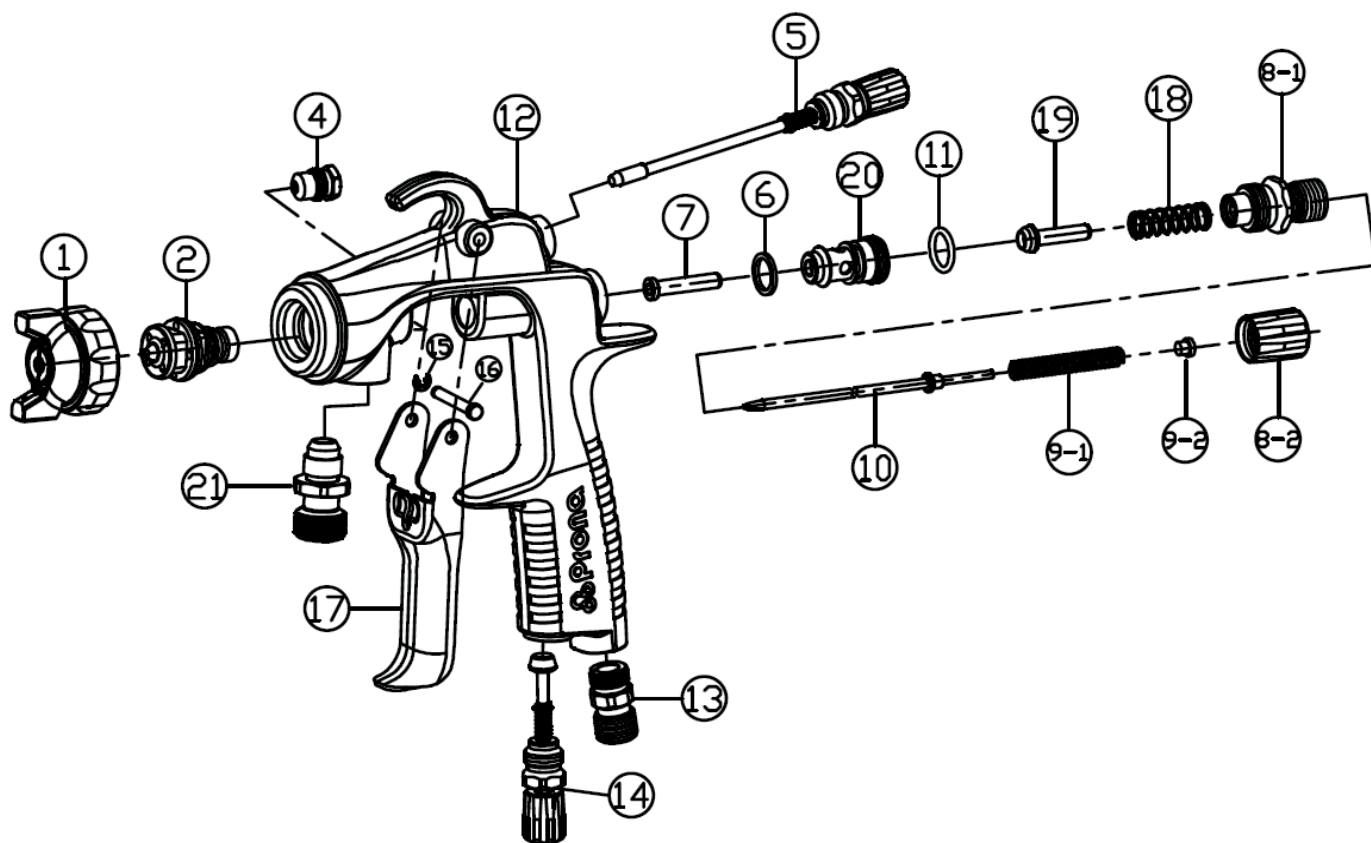
CODE	POS.	DESCRIPTION	PRICE
VS5P1020XX	2 / 10	Nozzle and needle kit	
VS5P10340	3 / 4	Fluid needle gasket and screw	
VS5P10500	5	Fan regulation	
VS5P10700	7	Needle guide	
VS5P10810	8 - 1	Air valve guide	
VS5P10820	8 - 2	Needle regulation	
VS5P10900	9	Needle guide	
VS5P11300	13	Air inlet connection	
VS5P11400	14	Air regulation	
VS5P11500	15	Seeger	
VS5P11600	16	Trigger pin	
VS5P11700	17	Trigger	
VS5P11800	18	Air valve spring	
VS5P11900	19	Air valve	
VS5P12000	20	Air valve body complete	
VS5P12100	21	Fluid inlet	
VS5P1001XX	1/2/10	Nozzle, needle and air cap kit	
VS5P1010XX		VES2P Air nozzle	
VS5P1011XX		VHS2B Air nozzle	
VS5P1013XX		VNS2B Air nozzle	
VS5P101RXX		Air nozzle ROUND	

R 715



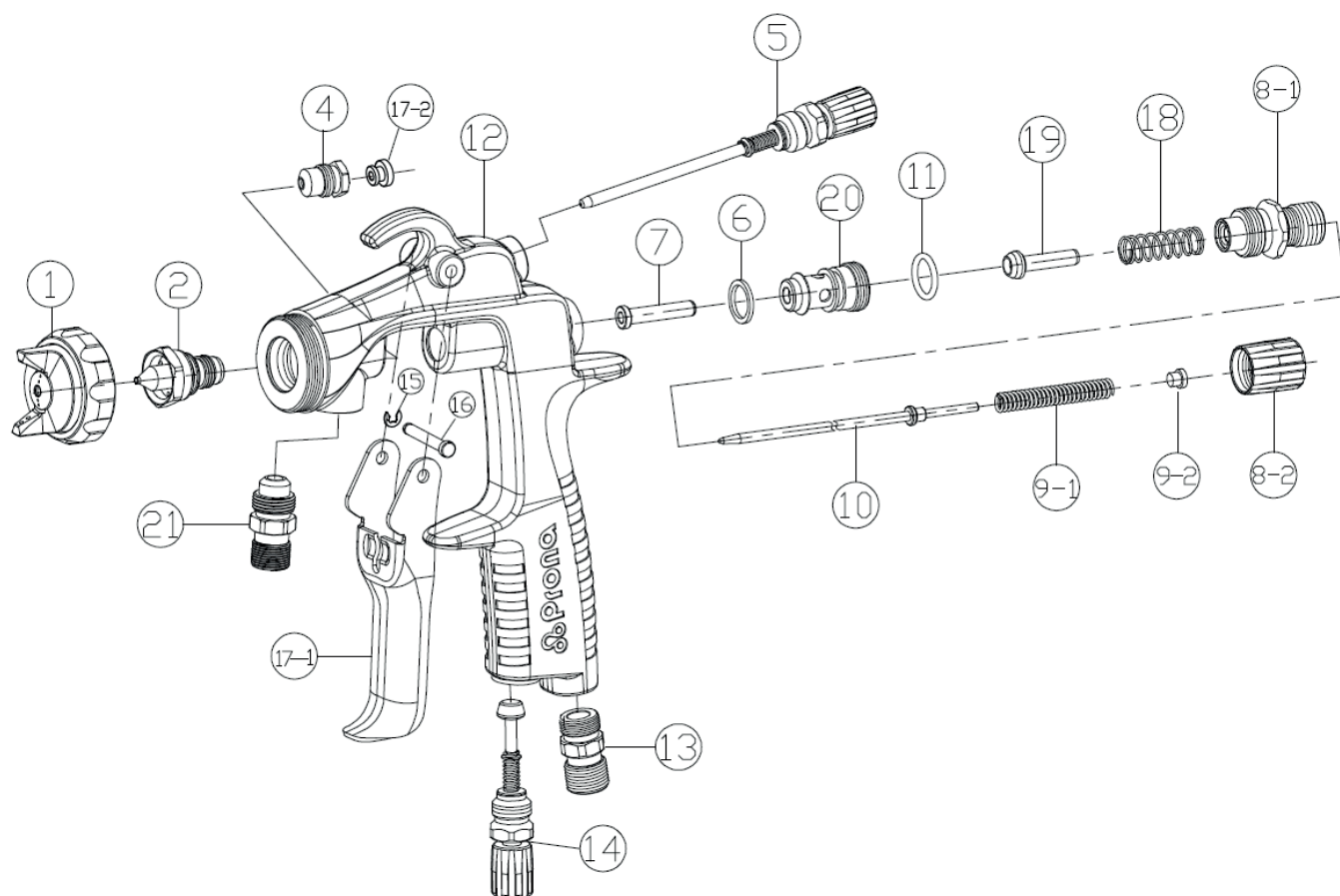
CODE	POS.	DESCRIPTION	PRICE
715R001	1	Air nozzle	
715R1XX	1/ 2 / 10	Nozzle, needle and air cap kit	
715R2XX	2 / 10	Nozzle and needle kit	
715R004	4	Fluid needle gasket and screw	
715R005	5	Fan regulation	
715R006	6	Needle guide gasket	
715R007	7	Needle guide	
715R081	8-1	Air valve guide	
715R082	8-2	Needle regulation	
715R091	9-1	Needle spring	
715R092	9-2	Gasket	
715R011	11	O-ring	
715R013	13	Air inlet	
715R014	14	Air regulation	
715R015	15	Seeger	
715R016	16	Trigger pin	
715R171	17-1	Trigger	
715R018	18	Air valve spring	
715R019	19	Air valve	
715R020	20	Air valve body complete	
715R021	21	Fluid inlet	

R 775



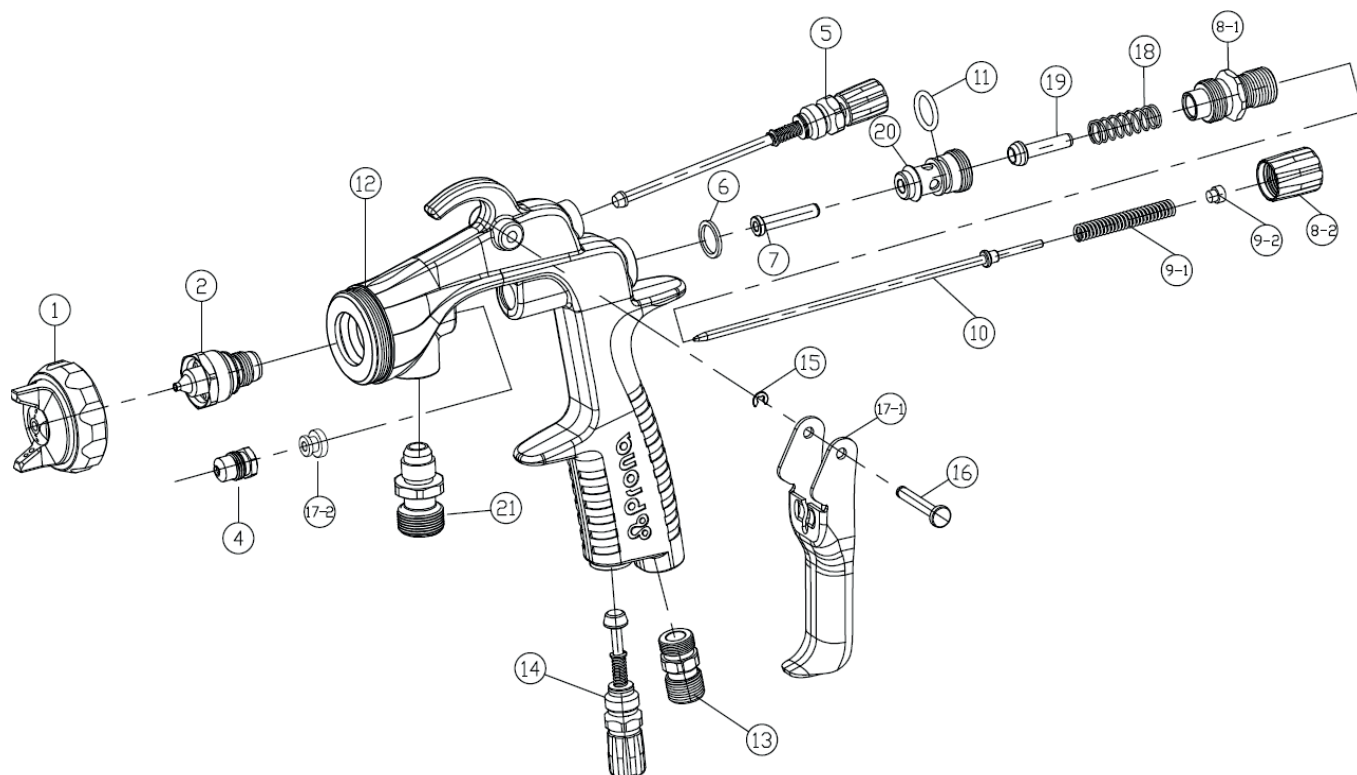
CODE	POS.	DESCRIPTION	PRICE
775R001	1	Air nozzle	
775R1XX	1/ 2 / 10	Nozzle, needle and air cap kit	
775R2XX	2 / 10	Nozzle and needle kit	
775R004	4	Fluid needle gasket and screw	
775R005	5	Fan regulation	
775R006	6	Needle guide gasket	
775R007	7	Needle guide	
775R081	8-1	Air valve guide	
775R082	8-2	Needle regulation	
775R091	9-1	Needle spring	
775R092	9-2	Gasket	
775R011	11	O-ring	
775R013	13	Air inlet	
775R014	14	Air regulation	
775R015	15	Seeger	
775R016	16	Trigger pin	
775R171	17-1	Trigger	
775R018	18	Air valve spring	
775R019	19	Air valve	
775R020	20	Air valve body complete	
775R021	21	Fluid inlet	

VS 810



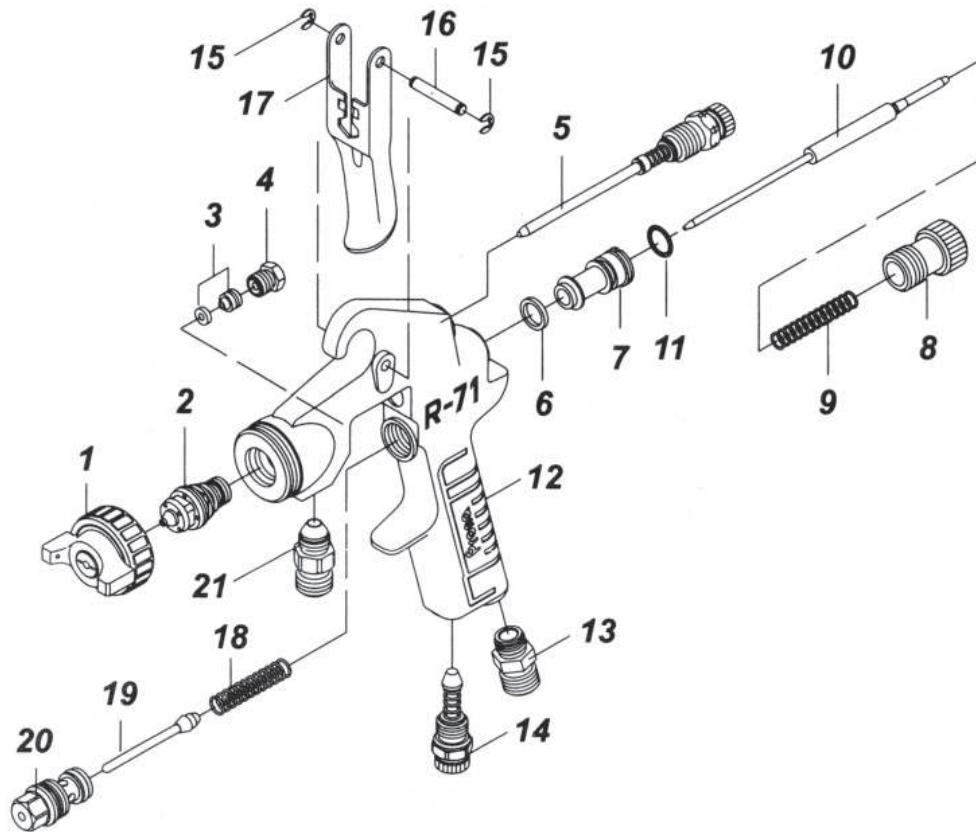
CODE	POS.	DESCRIPTION	PRICE
810R001	1	Air nozzle	
810R1XX	1/ 2 / 10	Nozzle, needle and air cap kit	
810R2XX	2 / 10	Nozzle and needle kit	
810R004	4	Fluid needle gasket and screw	
810R005	5	Fan regulation	
810R006	6	Needle guide gasket	
810R007	7	Needle guide	
810R081	8-1	Air valve guide	
810R082	8-2	Needle regulation	
810R091	9-1	Needle spring	
810R092	9-2	Gasket	
810R011	11	O-ring	
810R013	13	Air inlet	
810R014	14	Air regulation	
810R015	15	Seeger	
810R016	16	Trigger pin	
810R171	17-1	Trigger	
810R172	17-2	Trigger guide	
810R018	18	Air valve spring	
810R019	19	Air valve	
810R020	20	Air valve body complete	
810R021	21	Fluid inlet	

VS 820



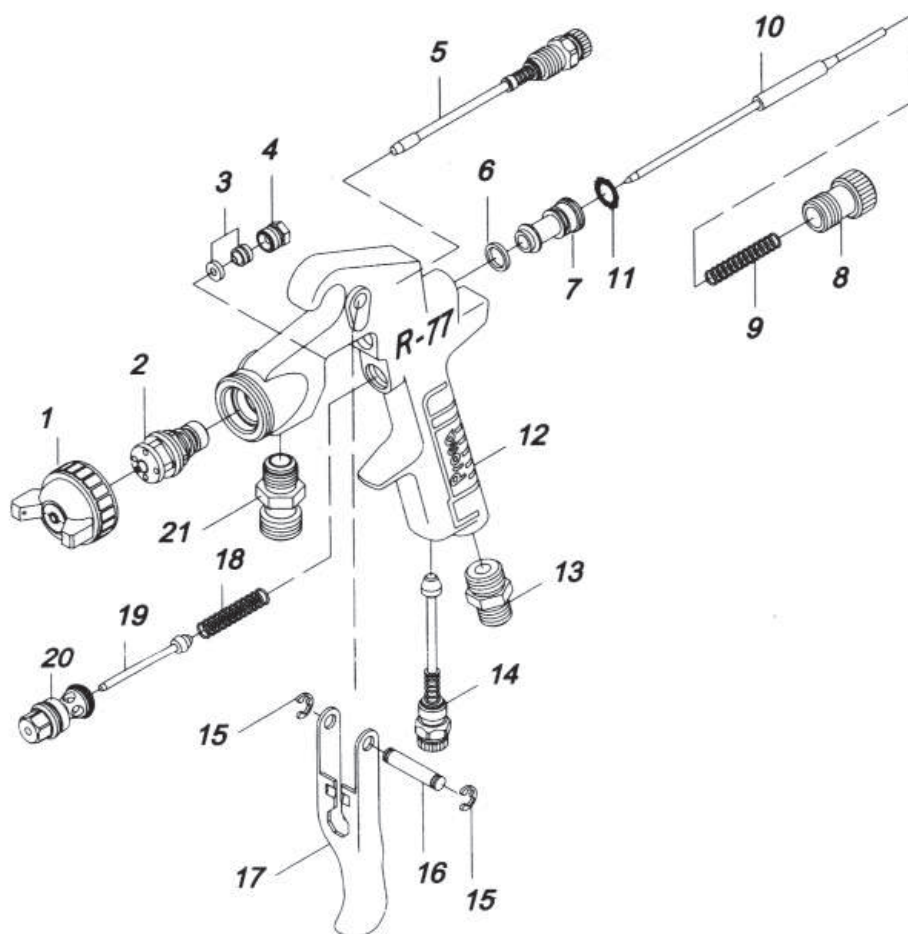
CODE	POS.	DESCRIPTION	PRICE
820R001	1	Air nozzle	
820R1XX	1/ 2 / 10	Nozzle, needle and air cap kit	
820R2XX	2 / 10	Nozzle and needle kit	
820R004	4	Fluid needle gasket and screw	
820R005	5	Fan regulation	
820R006	6	Needle guide gasket	
820R007	7	Needle guide	
820R081	8-1	Air valve guide	
820R082	8-2	Needle regulation	
820R091	9-1	Needle spring	
820R092	9-2	Gasket	
820R011	11	O-ring	
820R013	13	Air inlet	
820R014	14	Air regulation	
820R015	15	Seeger	
820R016	16	Trigger pin	
820R171	17-1	Trigger	
820R172	17-2	Trigger guide	
820R018	18	Air valve spring	
820R019	19	Air valve	
820R020	20	Air valve body complete	
820R021	21	Fluid inlet	

R 71



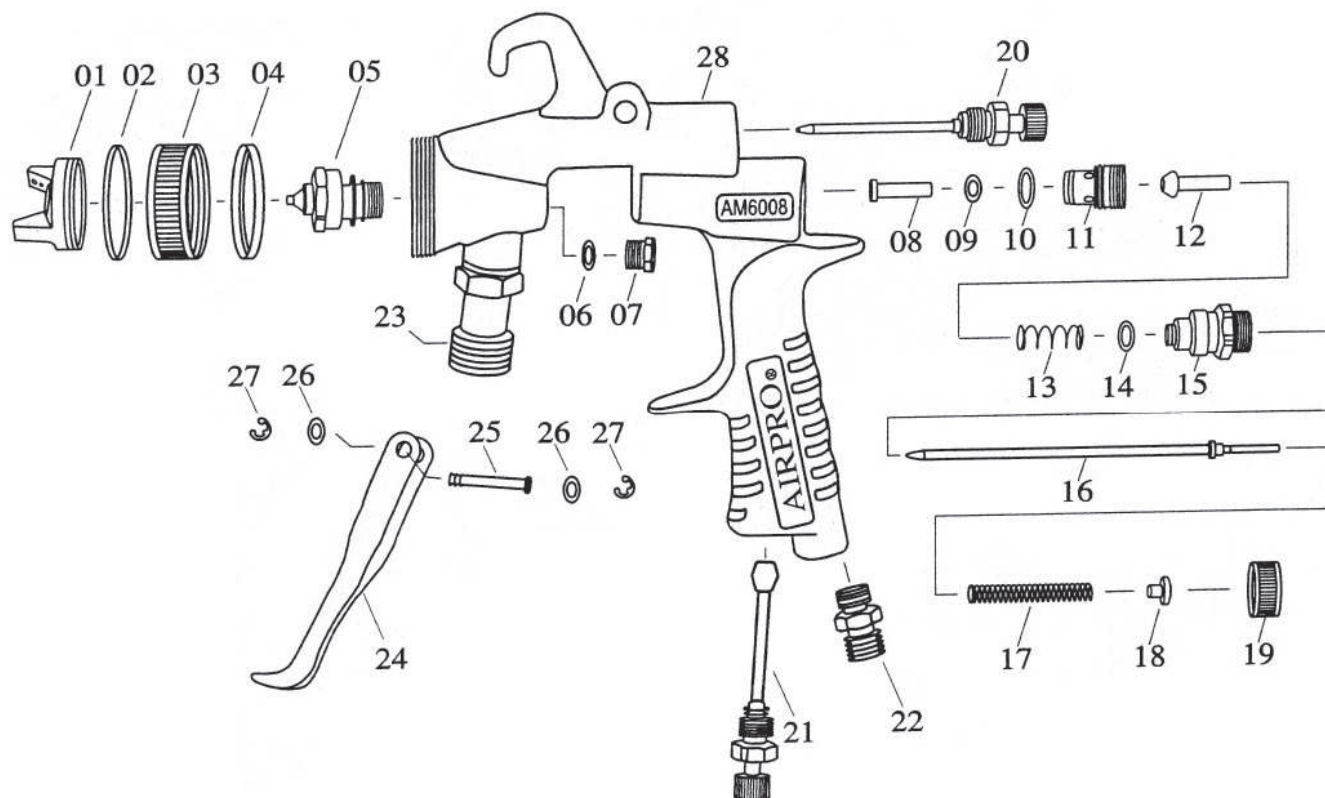
CODE	POS.	DESCRIPTION	PRICE
P7110XX	1	Air nozzle (1,3 / 1,5 / 1,8)	
P7120XX	2 / 10	Nozzle and needle kit (1,3 / 1,5 / 1,8)	
P71034	3 / 4	Fluid needle gasket and screw	
P71050	5	Fan regulation	
P71060	6	Needle guide gasket	
P71070	7	Needle guide	
P71080	8	Needle regulation	
P71090	9	Needle spring	
P71110	11	Needle guide o-ring	
P71130	13	Air inlet	
P71140	14	Air regulation	
P71150	15	Seeger	
P71160	16	Trigger pin	
P71170	17	Trigger	
P71180	18	Air valve spring	
P71190	19	Air valve	
P71200	20	Air valve body complete	
P71210	21	Fluid inlet	
P7101XX	1 / 2 / 10	Nozzle, needle and air cap kit (1,3 / 1,5 / 1,8)	
P7101XX	1 / 2 / 10	Nozzle, needle and air cap kit (0,8 / 1,0)	
P7110XX	1	Air nozzle (0,8 / 1,0)	
P7120XX	2 / 10	Nozzle and needle kit (0,8 / 1,0)	

R 77

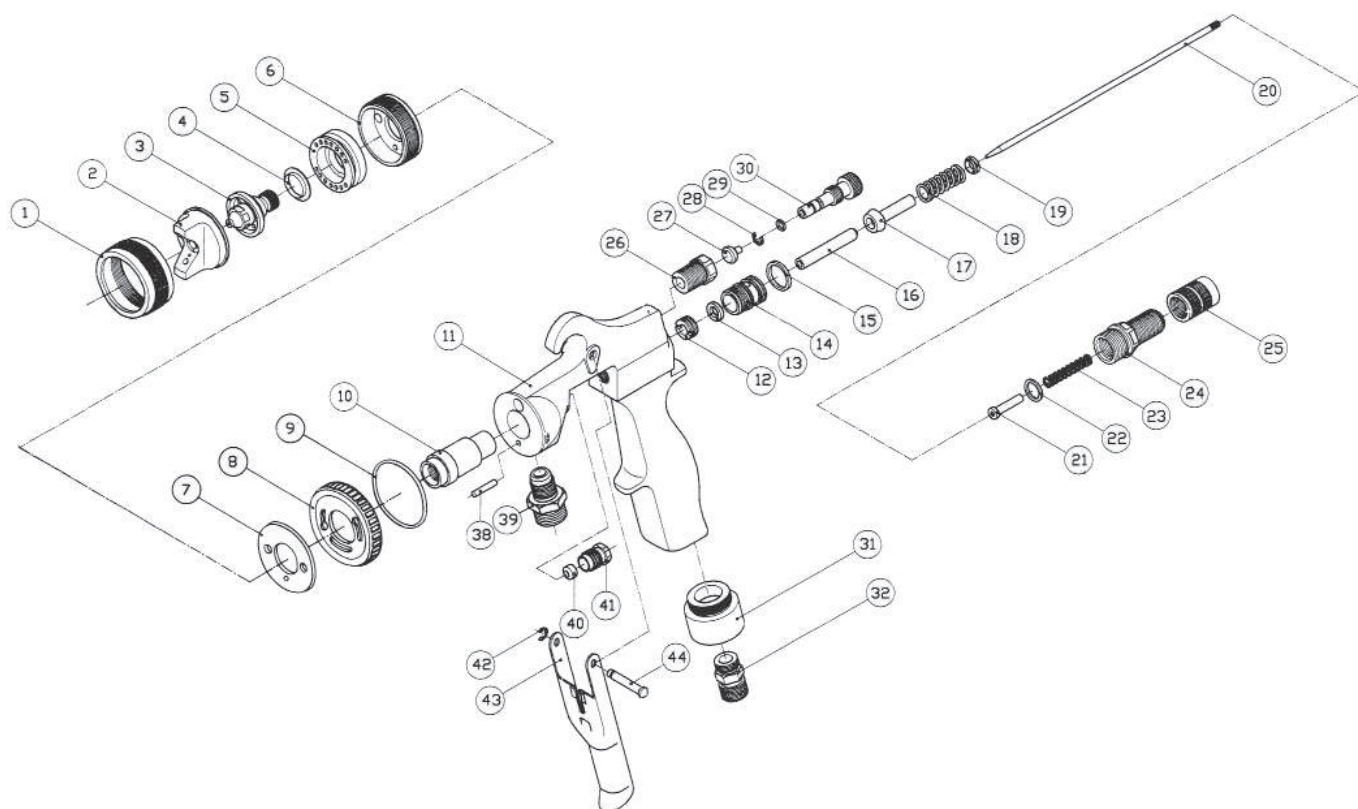


CODE	POS.	DESCRIPTION	PRICE
P7710XX	1	Air nozzle	
P7720XX	2 / 10	Nozzle and needle kit	
P77034	3 / 4	Fluid needle gasket and screw	
P77050	5	Fan regulation	
P77060	6	Needle guide gasket	
P77070	7	Needle guide	
P77080	8	Needle regulation	
P77090	9	Needle spring	
P77110	11	Needle guide o-ring	
P77130	13	Air inlet	
P77140	14	Air regulation	
P77150	15	Seeger	
P77160	16	Trigger pin	
P77170	17	Trigger	
P77180	18	Air valve spring	
P77190	19	Air valve	
P77200	20	Air valve body complete	
P77210	21	Fluid inlet	
P7701XX	1 / 2 / 10	Nozzle, needle and air cap kit (1,5/2,0/2,5)	
P7701XX	1 / 2 / 10	Nozzle, needle and air cap kit (1,2/3,0/4,0)	

AM 6008

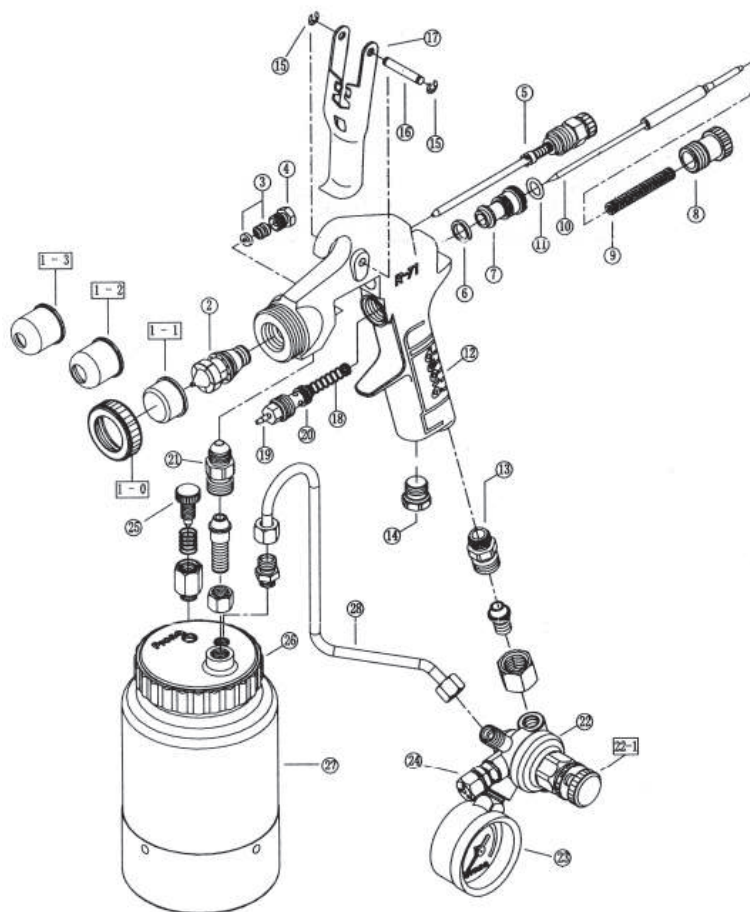


CODE	POS.	DESCRIPTION	PRICE
608PL4XX	1/2/3/4	Air nozzle	
608PL2XX	5/16	Nozzle and needle kit	
608PL006	6	Fluid needle gasket	
608PL007	7	Fluid needle gasket screw	
608PL008	8	Air valve guide	
608PL009	9	O-ring	
608PL010	10	O-ring	
608PL011	11	Air valve body complete	
608PL012	12	Air valve	
608PL013	13	Air valve spring	
608PL014	14	O-ring	
608PL015	15	Needle guide	
608PL017	17	Needle spring	
608PL018	18	Needle spring support	
608PL019	19	Needle regulation	
608PL020	20	Fan regulation	
608PL021	21	Air regulation	
608PL022	22	Air inlet	
608PL023	23	Fluid inlet	
608PL024	24	Trigger	
608PL025	25	Trigger pin	
608PL026	26	Trigger washer	
608PL027	27	Trigger seeger	
608PL3XX	1/2/3/4/5/16	Nozzle, needle and air cap kit	



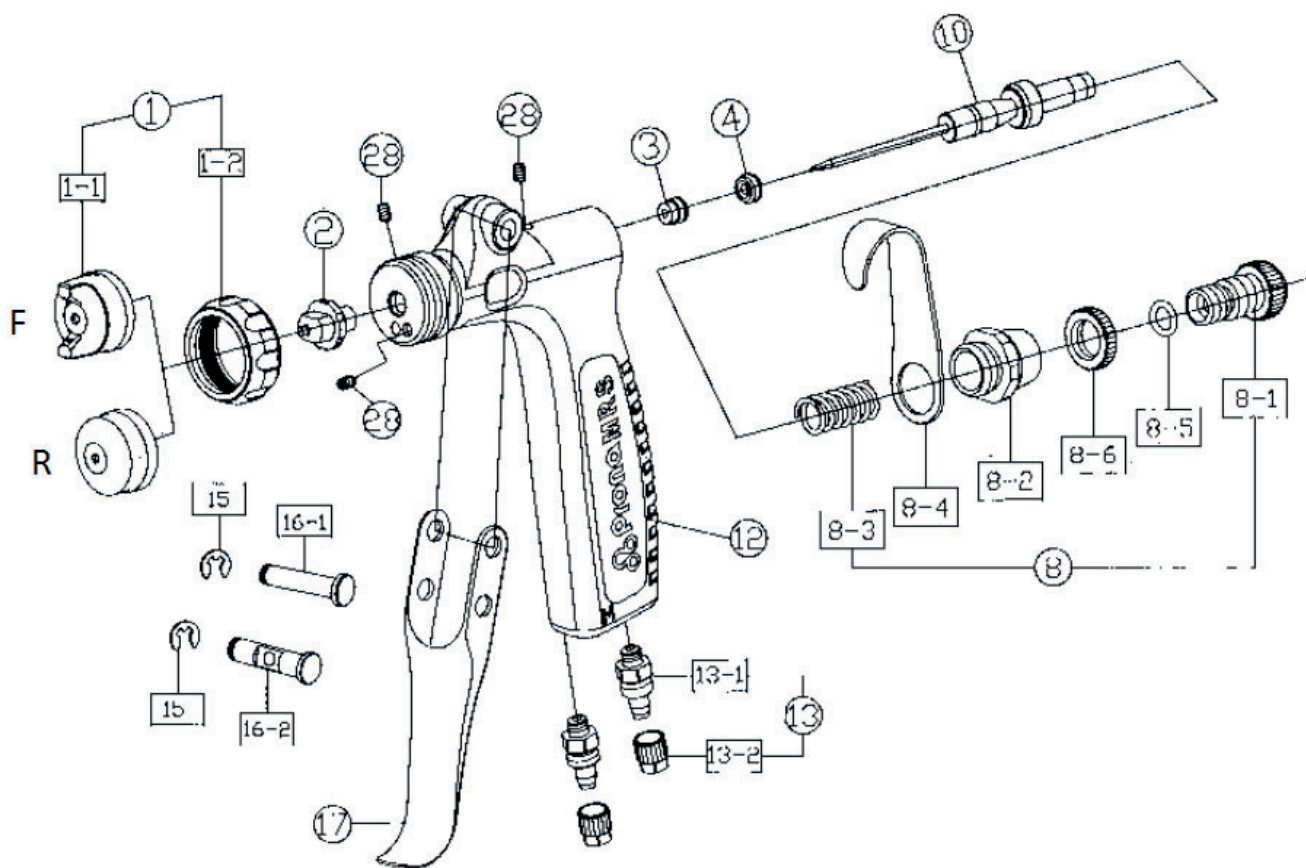
POS.	CODE	DESCRIPTION	PRICE	POS.	CODE	DESCRIPTION	PRICE
1/2	5911XX	Air cap and ring		22	591022	O-ring	
3/4	5912XX	Fluid needle gasket and screw		23	591023	Needle spring	
5	591005	Diffuser		24	591024	Needle guide	
6	591006	Ring		25	591025	Needle regulation	
7	591007	Gasket		26/27/28 29/30	591026	Air regulation	
8	591008	Fan regulation		31	591031	Spacer	
9	591009	O-ring		32	591032	Air inlet	
10	591010	Sleeve		38	591038	Pin	
11	591011	Gun body		39	591039	Fluid inlet	
12	591012	Screw		40	591040	Needle gasket	
13	591013	O-ring		41	591041	Needle gasket screw	
14	591014	Air valve guide		42	591042	Trigger seeger	
15	591015	O-ring		43	591043	Trigger	
16	591016	Air valve rod		44	591044	Trigger pin	
17	591017	Air valve					
18	591018	Air valve spring		1/2/3 20/21	5914XX	Nozzle, needle and air cap kit	
19	591019	Air valve spring support					
20/21	5913XX	Complete needle					

SGD 71



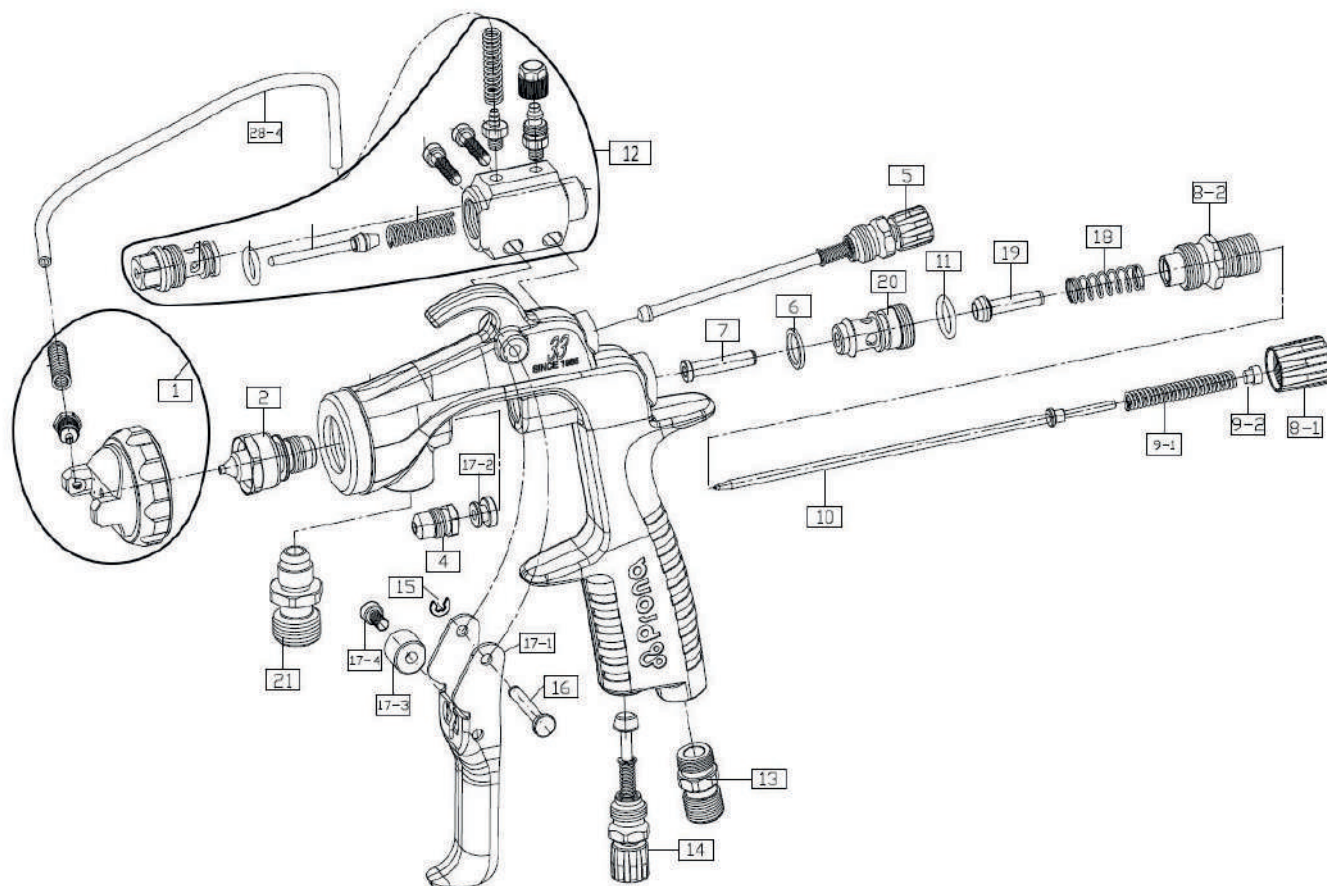
CODE	POS.	DESCRIPTION	PRICE
SGD7110	1 / 2 / 10	Nozzle, needle and air cap kit	
P71034	3 / 4	Fluid needle gasket and screw	
SGD7105	5	Fan regulation	
SGD7106	6	Needle guide gasket	
SGD7107	7	Needle guide	
SGD7108	8	Needle regulation	
SGD7109	9	Needle spring	
SGD7111	11	Needle guide o-ring	
SGD7113	13	Air nipple	
SGD7114	14	Air nut	
SGD7115	15	Seeger	
SGD7116	16	Trigger pin	
SGD7117	17	Trigger	
SGD7118	18	Air valve spring	
SGD7119	19	Air valve	
SGD7120	20	Air valve complete body	
SGD7121	21	Fluid inlet	
SGD7122	22	Air regulation kit	
SGD7123	23	Pressure gauge	
SGD7124	24	Safety valve	
SGD7125	25	Blow out valve	
SGD7126	26	Cup cover	
SGD7127	27	Cup body	
SGD7128	28	Air hose	

MRS F/R



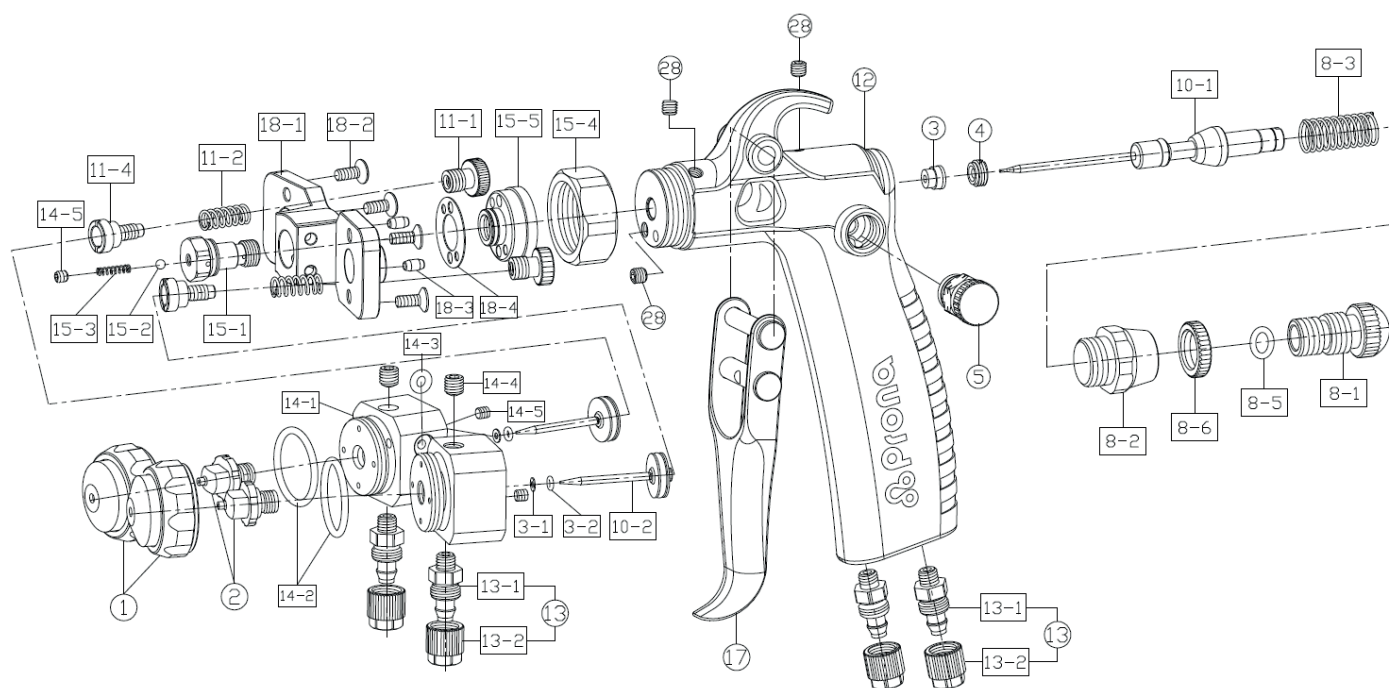
CODE	POS.	DESCRIPTION	PRICE
MRS001F	1	Air cap F	
MRS001R	1	Air cap R	
MRSK1XX	2 / 10	Nozzle and needle kit	
MRSK2XXF	1 / 2 / 10	Nozzle, needle and air cap kit F	
MRSK2XXR	1 / 2 / 10	Nozzle, needle and air cap kit R	
MRS034	3 / 4	Fluid needle gasket and screw	
MRS081	8-1	Air valve guide	
MRS082	8-2	Needle regulation	
MRS083	8-3	Needle spring	
MRS084	8-4	Hook	
MRS085	8-5	O-ring	
MRS086	8-6	Nut	
MRS131	13-1	Air inlet	
MRS132	13-2	Air inlet nut	
MRS015	15	Seeger	
MRS161	16-1	Trigger pin	
MRS162	16-2	Trigger pin 2	
MRS017	17	Trigger	
MRS018	28	Garin	

R210 1H - 2H



CODE	POS.	DESCRIPTION	PRICE
R2H1XX	1 / 2 / 10	Nozzle, needle and air cap kit R210-1H	
R2H1XX	1 / 2 / 10	Nozzle, needle and air cap kit R210-2H	
21R02XX	2 / 10	Nozzle and needle kit	
21HR001	1	Air cap complete with spring and side nozzle 0.6mm	
21HR004	4	Fluid needle gasket and screw	
21HR005	5	Fan regulation	
21HR006	6	Needle guide gasket	
21HR007	7	Needle guide	
21HR081	8-1	Needle regulation	
21HR082	8-2	Needle regulation body	
21HR091	9-1	Needle spring	
21HR092	9-2	Needle guide gasket	
21HR012	12	Side dosing kit complete	
21HR013	13	Air inlet	
21HR014	14	Air regulation	
21HR015	15	Seeger	
21HR016	16	Trigger pin	
21HR171	17-1	Trigger	
21HR172	17-2	Trigger gasket	
21HR173	17-3	Trigger lock	
21HR174	17-4	Trigger screw	
21HR018	18	Air valve spring	
21HR019	19	Air valve	
21HR020	20	Air valve body	
21HR021	21	Fluid inlet	

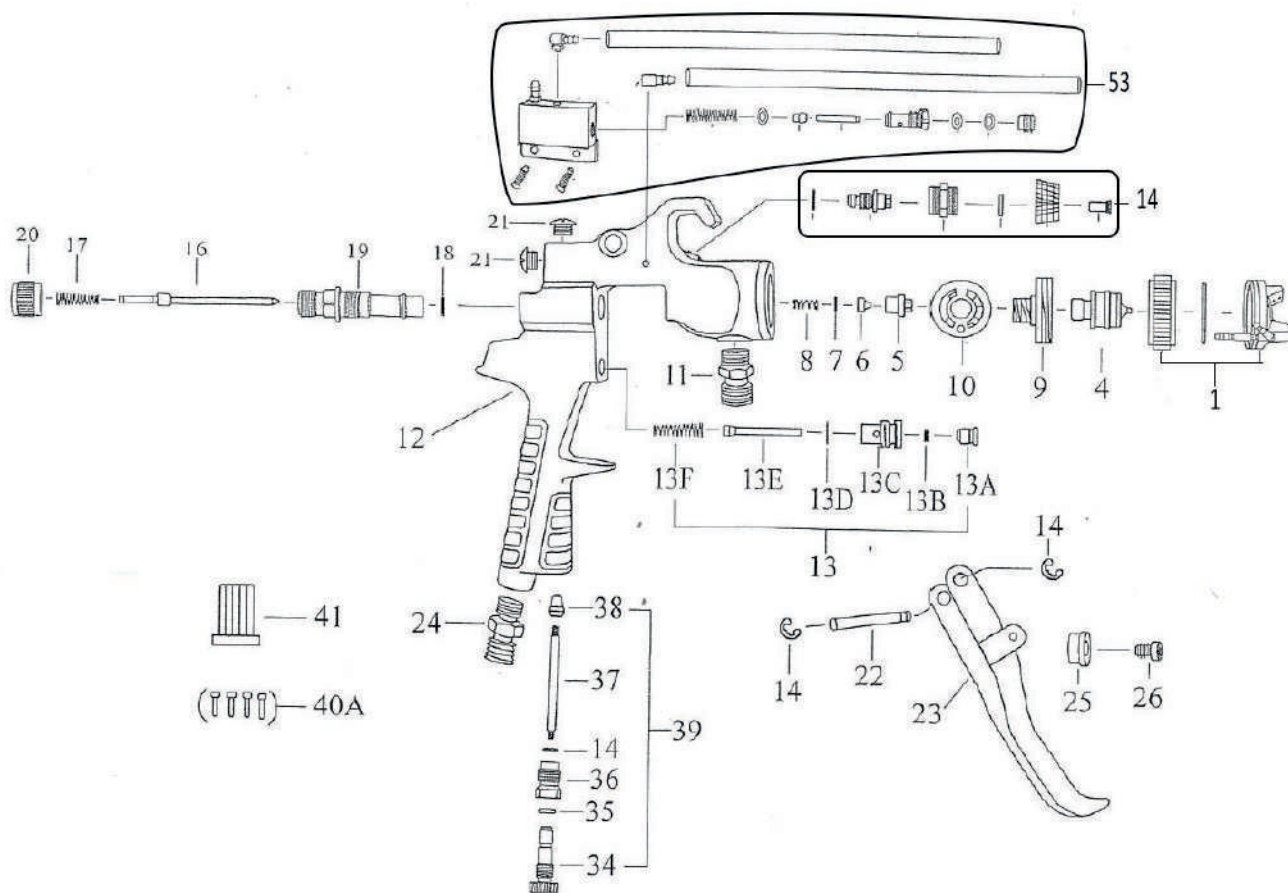
MRS DOUBLE



POS.	CODE	DESCRIPTION	PRICE
1	MRD001	Air cap	
2 / 10-2	MRDNXX	Nozzle and needle	
1/2/10-2	MRDKXX	Nozzle, needle and air cap kit	
3	MRD003	Fluid needle screw	
3-1	MRD031	Fluid needle 2 o-ring	
3-2	MRD032	SS2 O-ring	
4	MRD004	Fluid needle screw	
5	MRD005	Fan regulation	
8-1	MRD081	Needle regulation	
8-2	MRD082	Needle regulation body	
8-3	MRD083	Needle spring	
8-5	MRD085	Needle regulation gasket	
8-6	MRD086	Needle regulation ring	
10-1	MRD101	Fluid needle 1	
10-2	MRD102	Fluid needle 2	
11-1	MRD111	Fluid needle 2 regulation	
11-2	MRD112	Needle regulation spring	
11-4	MRD114	Regulator	

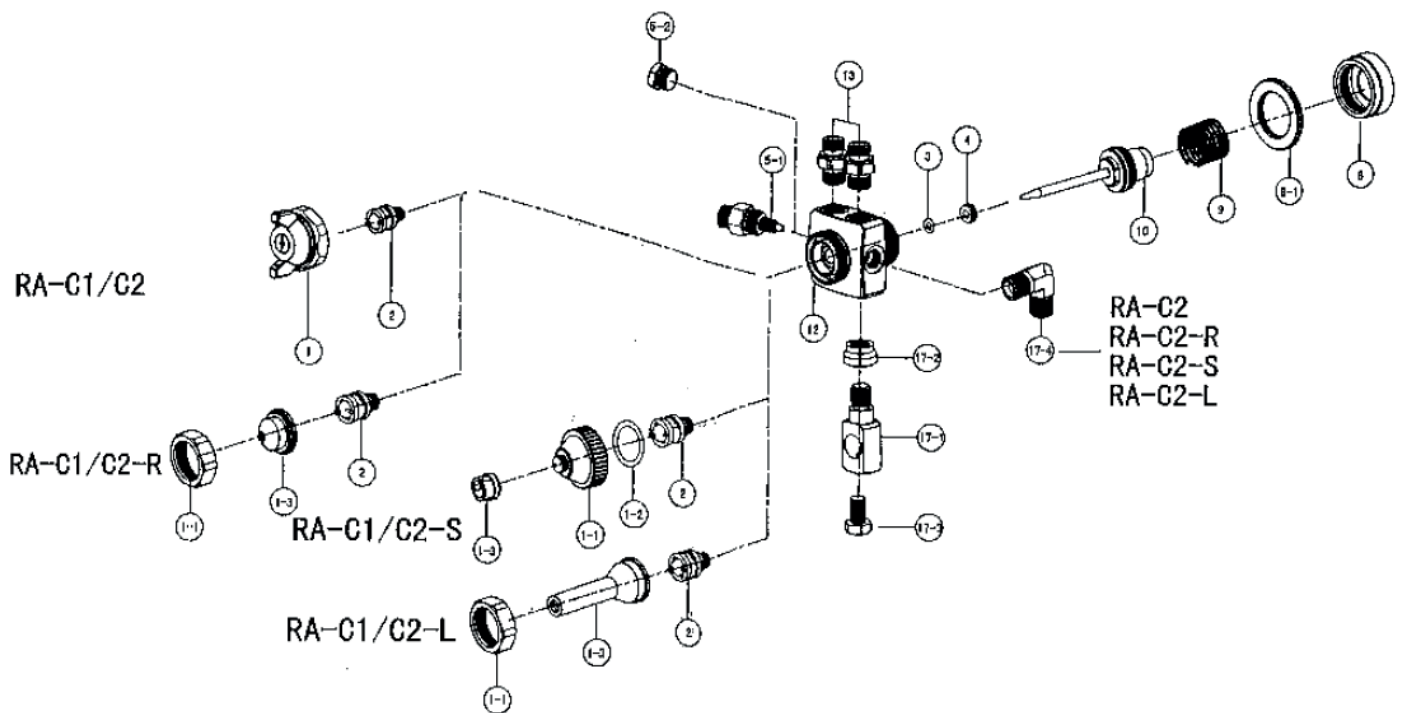
POS.	CODE	DESCRIPTION	PRICE
13-1	MRD131	Air connector body	
13-2	MRD132	Air connector nut	
14-1	MRD141	Head support	
14-2	MRD142	Head support gasket	
14-3	MRD143	A006 O-ring	
14-4	MRD144	Grain M5	
14-5	MRD145	Grain M3	
15-1	MRD151	Locking screw	
15-2	MRD152	Ball 2,5mm	
15-3	MRD153	Locking spring	
15-4	MRD154	Locking ring	
15-5	MRD155	Locking nut	
17	MRD017	Trigger set	
18-1	MRD181	Axis	
18-2	MRD182	Screw	
18-3	MRD183	Grain	
18-4	MRD184	Gasket	
28	MRD028	Grain M4	

VSPRO-BI 891



POS.	CODE	DESCRIPTION	PRICE	POS.	CODE	DESCRIPTION	PRICE
1	KNI001	Air cap wih injector		14	KNI014	Fluid regulation valve	
4 / 16	KNINXX	Nozzle and needle		16	KNI016	Needle	
1/4/16	KNIKXX	Nozzle, needle and air cap kit		17	KNI017	Needle spring	
5	KNI005	Fluid nozzle screw		18	KNI018	O-ring	
6	KNI006	PTFE Gasket		19	KNI019	Needle guide	
7	KNI007	Washer		20	KNI020	Fluid regulation	
8	KNI008	Spring		21	KNI021	Screw	
9	KNI009	S. Steel ring		24	KNI024	Air inlet 1/4"	
10	KNI010	Gasket		34	KNI034	Air regulation	
11	KNI011	S. steel fluid inlet		35	KNI035	O-ring	
13	KNI013	Air valve set		36	KNI036	Nut	
13A	KNI13A	Screw		37	KNI037	Rod	
13B	KNI13B	PTFE gasket		38	KNI038	Gasket	
13C	KNI13C	Air valve body		39	KNI039	Air regulation complete	
13D	KNI13D	PVC Gasket		51	KNI051	Fluid hose	
13E	KNI13E	Air valve		53	KNI053	Complete dosing set	
13F	KNI13F	Spring					

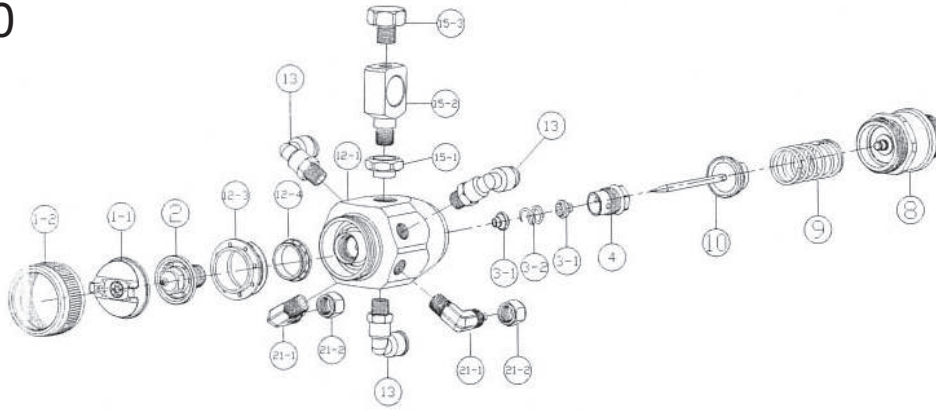
SERIE RAC



CODE	POS.	DESCRIPTION	PRICE
RAC001N	1	Air cap standard	
RAC001R	1-1 / 1-3	Air cap R	
RAC001S	1-1 / 1-2 / 1-3	Air cap S	
RAC001L13	1-1 / 1-3	Air cap C2-L13	
RAC001L20	1-1 / 1-3	Air cap C2-L20	
RAC002	2	Fluid nozzle	
RAC0034	3/4	Fluid needle gasket and screw	
RAC051	5-1	Fan regulation	
RAC052	5-2	Regulation cap	
RAC008	8	Needle regulation	
RAC0081	8-1	Ring	
RAC009	9	Needle spring	
RAC0010	10	Needle	
RAC0013	13	Fluid / air inlet	
RAC171	17-1	Connector	
RAC172	17-2	Connector pin	
RAC173	17-3	Connector screw	
RAC174	17-4	L fitting (RA-C2)	

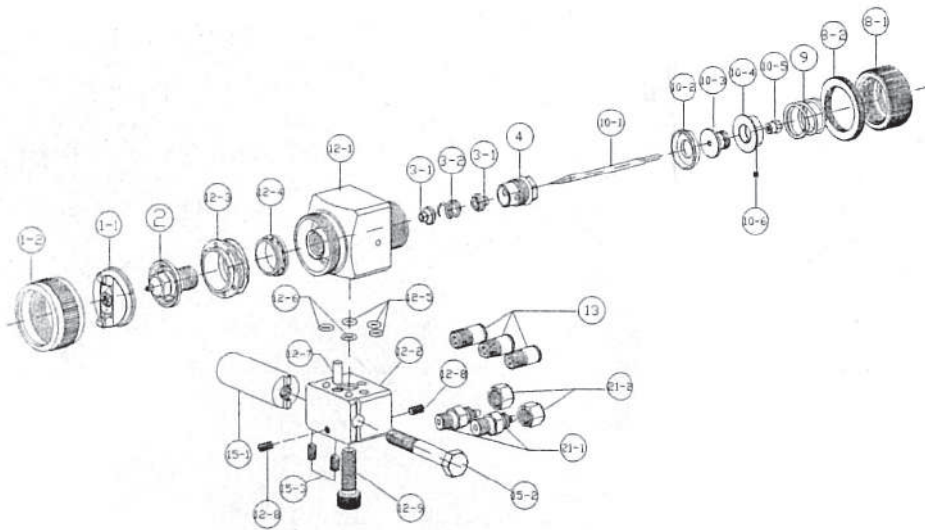
RAR 1000 - RAR 2000

RAR 1000



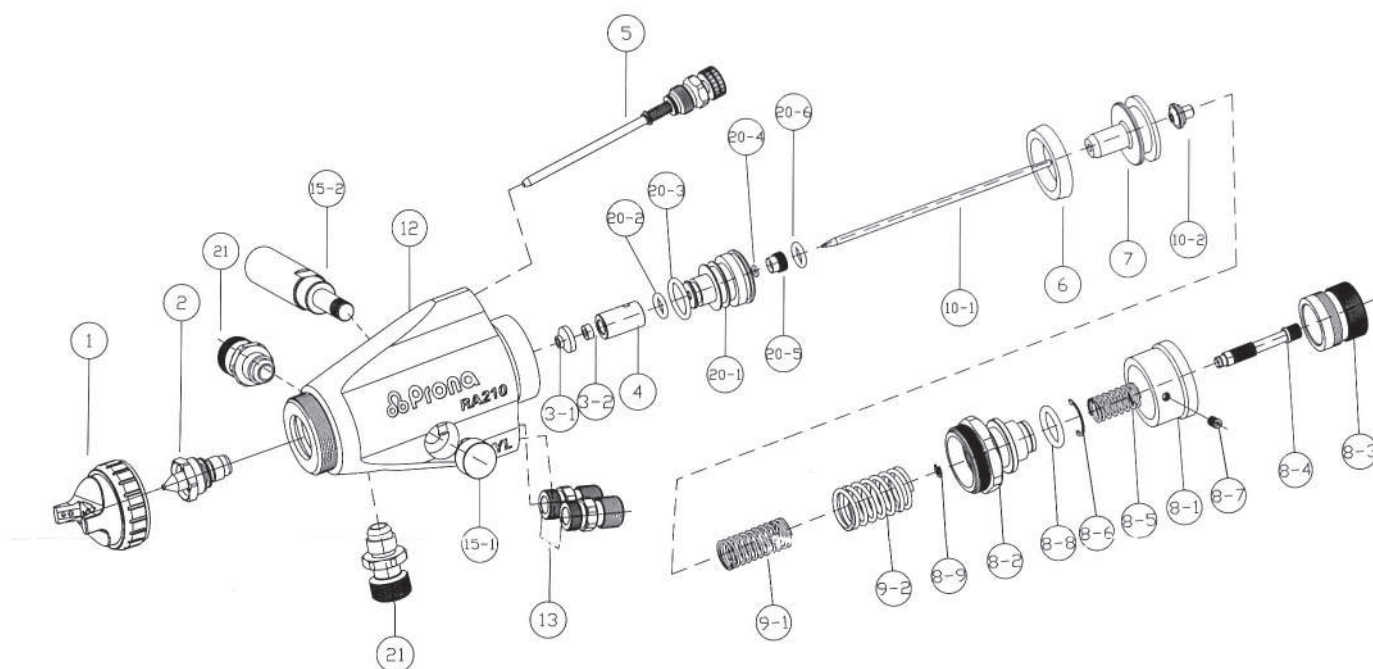
CODE	POS.	DESCRIPTION	PRICE	CODE	POS.	DESCRIPTION	PRICE
RAR-20001-2	1-2	nozzle ring		RAR-200012-3	12-3	external air diffuser	
RAR-20001-1	1-1	air nozzle		RAR-200012-4	12-4	Air diffuser internal	
RAR-20002	2	Fluid Nozzle \varnothing 0,7 / 1,1 / 1,4 / 1,7		RAR-200013	13	air connection	
RAR-20003-1	3-1	fluid packing		RAR-200015-1	15-1	ring	
RAR-20003-2	3-2	spring needle packing		RAR-200015-2	15-2	screw anchor	
RAR-20004	4	screw press		RAR-200015-3	15-3	locking nut	
RAR-20008	8	adjustment rod		RAR-2000KIT07		Nozzle Kit 0.7	
RAR-20009	9	spring piston		RAR-2000KIT11		Nozzle Kit 1.1	
RAR-200010	10	full dipstick		RAR-2000KIT14		Nozzle Kit 1.4	
RAR-200012-1	12-1	gun body		RAR-2000KIT17		Nozzle Kit 1.7	

RAR 2000



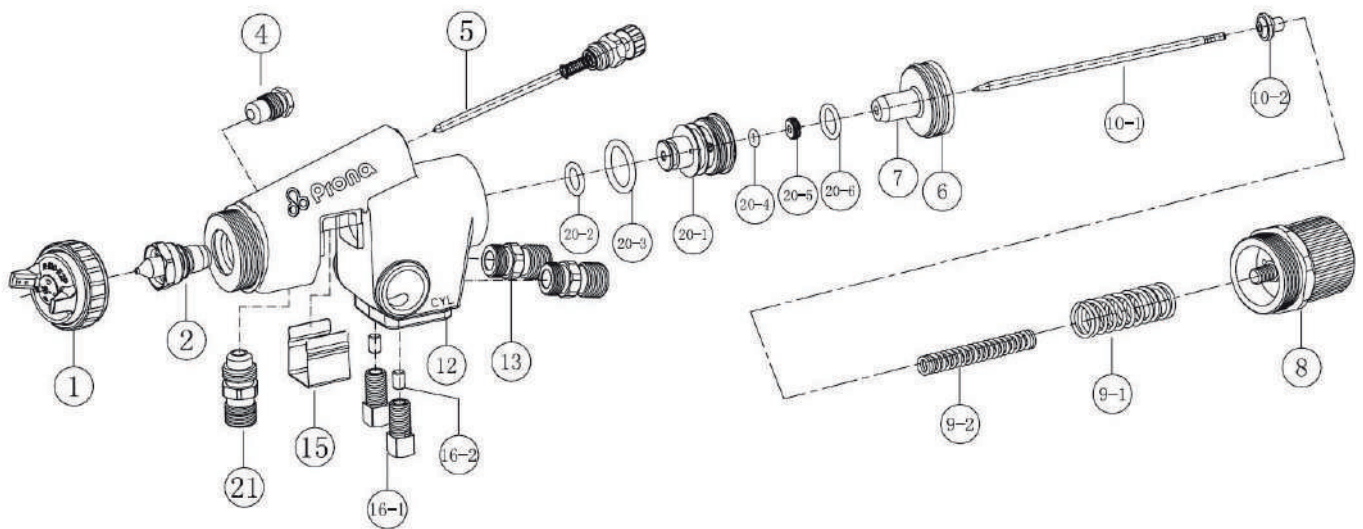
CODE	POS.	DESCRIPTION	PRICE	CODE	POS.	DESCRIPTION	PRICE
RAR-10001-2	1-2	nozzle ring		RAR-100012-1	12-1	gun body	
RAR-10001-1	1-1	air nozzle		RAR-100012-2	12-2	base	
RAR-10002	2	Fluid Nozzle \varnothing 0,7 / 1,1 / 1,4 / 1,7		RAR-100012-3	12-3	external air diffuser	
RAR-10003-1	3-1	fluid packing		RAR-100012-4	12-4	Air diffuser internal	
RAR-10003-2	3-2	spring needle packing		RAR-100012-5	12-5	Air sealing OR	
RAR-10004	4	screw press		RAR-100012-6	12-6	OR sealing paint	
RAR-10008	8	adjustment rod		RAR-100012-7	12-7	piston	
RAR-10008-2	8-2	spring adjusting rod		RAR-100012-8	12-8	wheat	
RAR-10009	9	spring piston		RAR-100012-9	12-9	studs base	
RAR-100010-1	10-1	full dipstick		RAR-100013	13	grafts air	
RAR-100010-2	10-2	piston Seal		RAR-1000KIT07	-	Nozzle Kit 0.7	
RAR-100010-3	10-3	piston		RAR-1000KIT11	-	Nozzle Kit 1.1	
RAR-100010-4	10-4	piston washer		RAR-1000KIT14	-	Nozzle Kit 1.4	
RAR-100010-5	10-5	locking nut		RAR-1000KIT17	-	Nozzle Kit 1.7	
RAR-100010-6	10-6	piston nut					

RA 210



CODE	POS.	DESCRIPTION	PRICE	CODE	POS.	DESCRIPTION	PRICE
RA210P1	1	air cap set		RA210P10-1	10-1	fluid needle	
RA210P2	2	Fluid nozzle Ø mm. 1,2 / 1,5 / 1,8 / 2,0 / 2,5		RA210P10-2	10-2	fluid needle seat	
RA210P3-1	3-1	fluid needle packing		RA210P12	12	gun Body	
RA210P3-2	3-2	U shape packing		RA210P13	13	air connector	
RA210P4	4	fluid needle packing holder		RA210P15-1	15-1	gun body support screw	
RA210P5	5	pattern adjusting set		RA210P15-2	15-2	gun body support	
RA210P6	6	fluid needle guide packing		RA210P20-1	20-1	air valve seat	
RA210P7	7	fluid needle guide		RA210P20-2	20-2	OR	
RA210P8-1	8-1	fluid adjustable scale seat		RA210P20-3	20-3	OR	
RA210P8-2	8-2	fluid adjustable knob guide		RA210P20-4	20-4	OR	
RA210P8-3	8-3	fluid adjustable knob		RA210P20-5	20-5	packing holder	
RA210P8-4	8-4	fluid adjustable mandrel		RA210P20-6	20-6	OR	
RA210P8-5	8-5	fluid adjustable knob spring		RA210P21	21	fluid connector	
RA210P8-6	8-6	fluid adjustable knob guide jump ring		RA210PKIT12	-	Nozzle Kit 1.2	
RA210P8-7	8-7	Scale seat fixed bolt		RA210PKIT15	-	Nozzle Kit 1.5	
RA210P8-8	8-8	OR		RA210PKIT18	-	Nozzle Kit 1.8	
RA210P8-9	8-9	locking ring		RA210PKIT20	-	Nozzle Kit 2.0	
RA210P9-1	9-1	needle spring 1		RA210PKIT25	-	Nozzle Kit 2.5	
RA210P9-2	9-2	needle spring 2					
				RA230XXT	1/2/10	Nozzle kit RA 210 Ø mm. 0,8 / 1,0	
				RA210XXT		VGS2BP Air Nozzle	
				RA211XXT		VLSV2B Air Nozzle	
				RA212XXT		VKS2B Air Nozzle	
				RA213XXT		VRS2B Air Nozzle	
				RA214XXT		VWS2B Air Nozzle	

RA 100 - RA 200

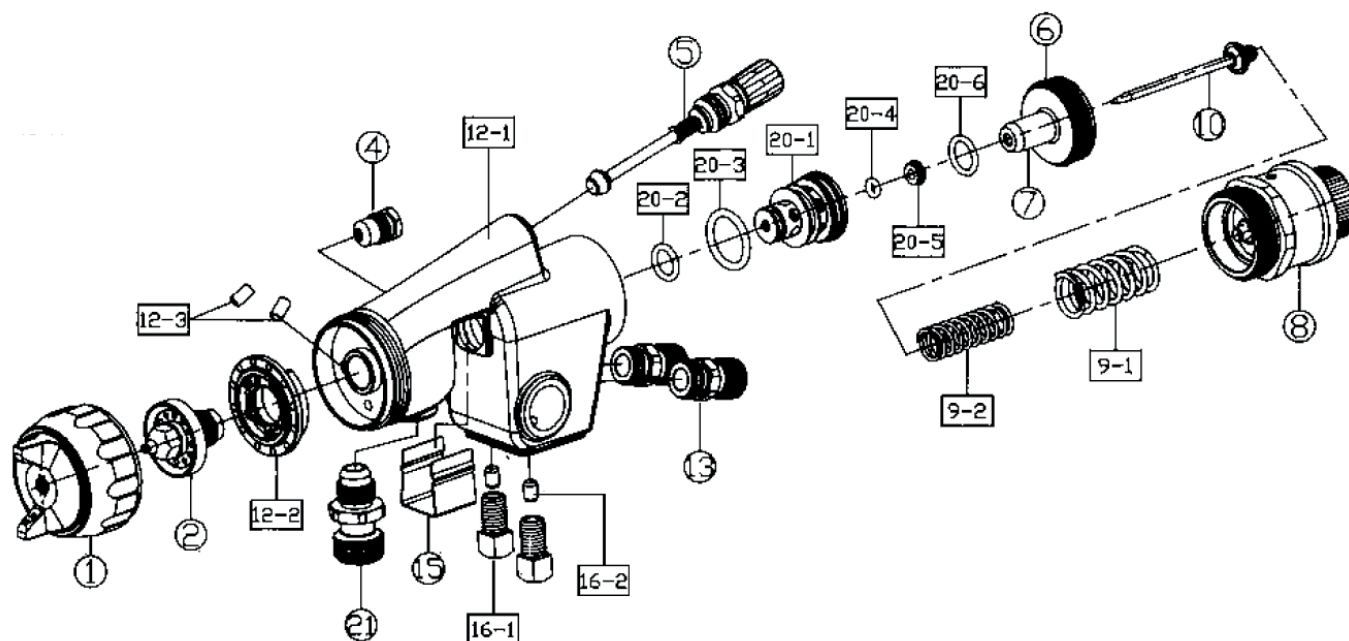


CODE	POS.	DESCRIPTION	PRICE
RA120XX	2 / 10	Fluid nozzle and needle	
RA10134	4	Needle gasket and screw	
RA10105	5	Fan regulation	
RA10106	6	Piston gasket	
RA10107	7	Piston	
RA11108	8	Needle regulation	
RA10109	9-1	Piston spring	
RA10209	9-2	Needle spring	
RA10113	13	Air inlet	
RA10115	15	Needle cover	
RA20116	16-1	Support fixing screw	
RA20126	16-2	Support fixing screw pin	
RA10120	20	Air valve	
RA10320	20-1	Air valve body	
RA10420	20-2	Air valve o ring	
RA10520	20-3	Air valve o ring	
RA10220	20-4	Air valve gasket	
RA15420	20-5	Locking screw O-ring	
RA16520	20-6	O-ring	
RA10121	21	Fluid inlet	
RA130XX	1 / 2 / 10	Nozzle kit RA 100	
RA110XX		VES2P Air Nozzle	
RA111XX		VHS2B Air Nozzle	
RA112XX		VKS1B Air Nozzle	
RA113XX		VNS2B Air Nozzle	

CODE	POS.	DESCRIPTION	PRICE
RA220XXM	2 / 10	Fluid nozzle and needle Ø mm. 0,8 / 1,0 multihole	
RA220XX	2 / 10	Fluid nozzle and needle Ø mm. 0,8 / 1,0 / 1,2 / 1,5 / 1,8 / 2,0 / 2,5	
RA20134	4	Needle gasket and screw	
RA20105	5	Fan regulation	
RA20106	6	Piston gasket	
RA20107	7	Piston	
RA20108	8	Needle regulation	
RA20109	9-1	Piston spring	
RA20209	9-2	Needle spring	
RA20113	13	Air inlet	
RA20115	15	Needle cover	
RA20116	16-1	Support fixing screw	
RA20126	16-2	Support fixing screw pin	
RA20120	20	Air valve	
RA20320	20-1	Air valve body	
RA20420	20-2	Air valve o ring	
RA20520	20-3	Air valve o ring	
RA20220	20-4	Air valve gasket	
RA25420	20-5	Locking screw O-ring	
RA26520	20-6	O-ring	
RA20121	21	Fluid inlet	

RA230XX	1/2/10	Nozzle kit RA 200 Ø mm. 0,8 / 1,0	
RA230XX	1/2/10	Nozzle kit RA 200 Ø mm. 1,2 / 1,5 / 1,8 / 2,0 / 2,5	
RA230XXZ	1/2/10	Nozzle kit RA200 TREATED Ø mm 2,0 / 2,5	
RA210XX		VGS2BP Air Nozzle	
RA211XX		VLSV2B Air Nozzle	
RA212XX		VKS2B Air Nozzle	
RA213XX		VRS2B Air Nozzle	
RA214XX		VWS2B Air Nozzle	

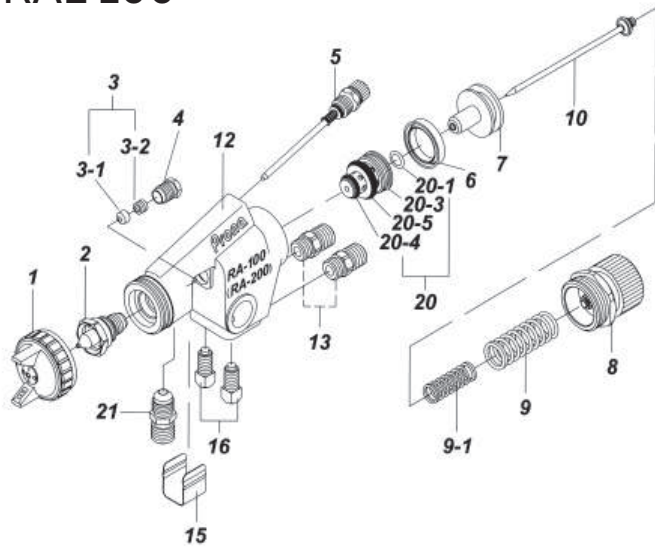
RA 4300



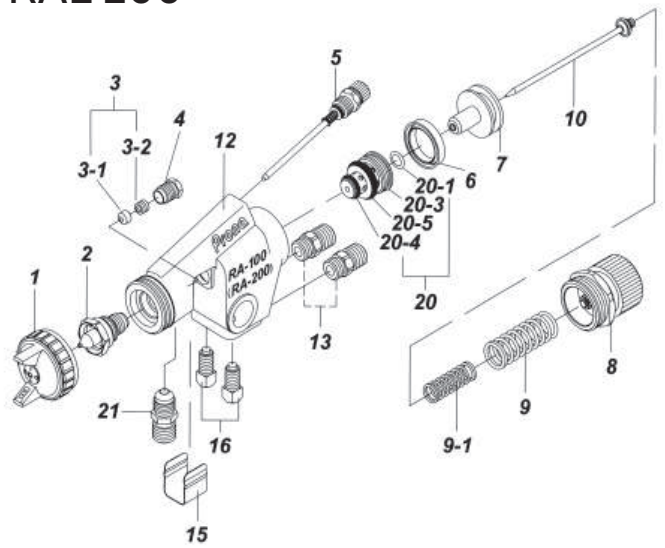
CODE	POS.	DESCRIPTION	PRICE
RA43001R	1	Air cap RP	
RA43001H	1	Air cap HVLP	
RA43NXX	2 / 10	Fluid nozzle and needle	
RA43KXX	1 / 2 / 10	Nozzle, needle and air cap kit	
RA43004	4	Needle gasket and screw	
RA43005	5	Fan regulation	
RA43006	6	Needle guide gasket	
RA43007	7	Needle guide	
RA43008	8	Fluid regulation	
RA43091	9-1	Needle spring 1	
RA43092	9-2	Needle spring 2	
RA43122	12-2	Diffuser	
RA43123	12-3	Copper grain	
RA43013	13	Air inlet	
RA43015	15	Needle cover	
RA43161	16-1	Screw	
RA43162	16-2	Support screw	
RA43201	20-1	Air valve seat	
RA43202	20-2	O-ring P9	
RA43203	20-3	O-ring P16	
RA43204	20-4	O-ring P3	
RA43205	20-5	Gasket support	
RA43206	20-6	O-ring P10	
RA43021	21	Fluid inlet	

RAL 100 - RAL 200

RAL 100



RAL 200

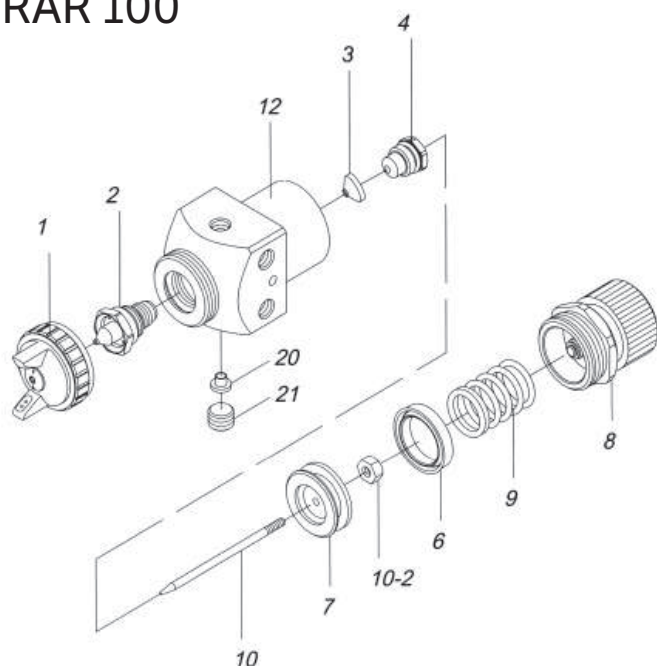


CODE	POS.	DESCRIPTION	PRICE
RAL12XX	1	Air cap	
RAL13XX	2 / 10	Fluid nozzle and needle	
RAL1134	3 / 4	Needle gasket and screw	
RAL1105	5	Fan regulation	
RAL1106	6	Piston gasket	
RAL1107	7	Piston	
RAL1108	8	Needle regulation	
RAL1109	9	Piston spring	
RAL1209	9-1	Needle spring	
RAL1113	13	Air inlet	
RAL1115	15	Needle cover	
RAL1116	16	Support screw	
RAL1120	20	Air valve	
RAL1220	20-1	Seal air valve	
RAL1320	20-3	Air Valve Body	
RAL1420	20-4	Air Valve O-ring	
RAL1520	20-5	Air Valve O-ring	
RAL1121	21	Fluid inlet	
RAL14XX	1/2/10	Nozzle Kit RAL 100	

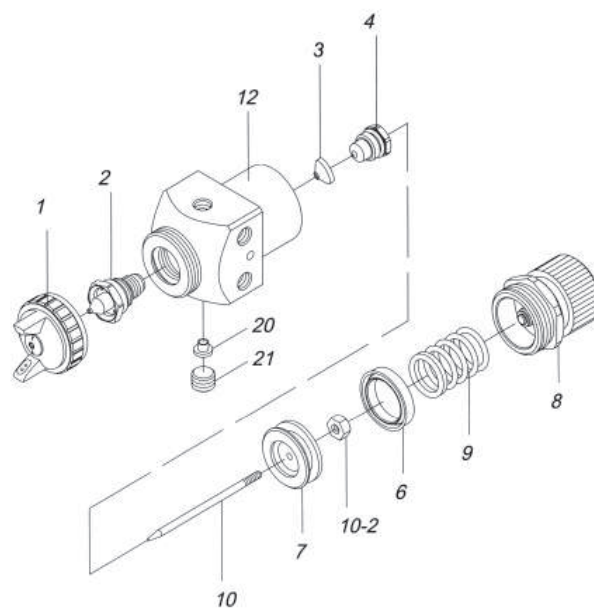
CODE	POS.	DESCRIPTION	PRICE
RAL23XX	2 / 10	Fluid nozzle and needle	
RAL2134	3 / 4	Needle gasket and screw	
RAL2105	5	Fan regulation	
RAL2106	6	Piston gasket	
RAL2107	7	Piston	
RAL2108	8	Needle regulation	
RAL2109	9	Piston spring	
RAL2209	9-1	Needle spring	
RAL2113	13	Air inlet	
RAL2115	15	Needle cover	
RAL2116	16	Support screw	
RAL2120	20	Air Valve	
RAL2220	20-1	Air Valve seal	
RAL2320	20-3	Air Valve Body	
RAL2420	20-4	Air Valve O-ring	
RAL2520	20-5	Air Valve O-ring	
RAL2121	21	Fluid inlet	
RAL27XX	21	Air cap RAL 200	
RAL24XX	1/2/10	Nozzle Kit RAL 200	

RAR 100 - RAR 200

RAR 100



RAR 200

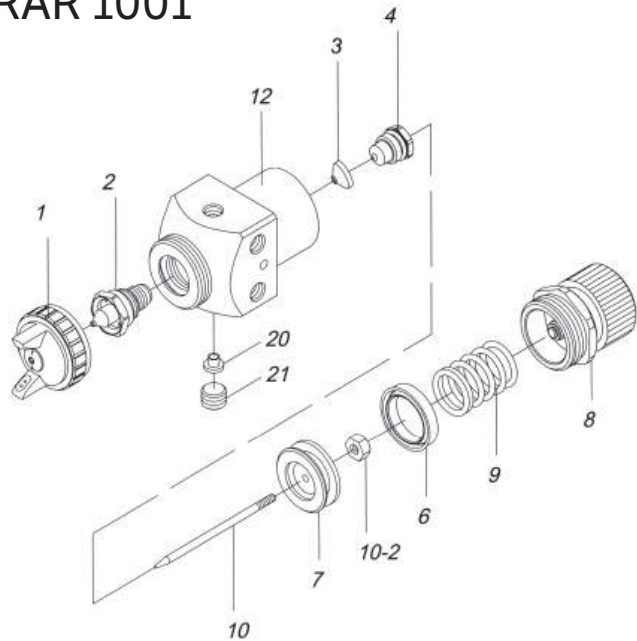


CODE	POS.	DESCRIPTION RAR 100	PRICE
RAR12XX	1	Air cap	
RAR13XX	2 / 10	Fluid nozzle and needle	
RAR1103	3	Needle gasket screw	
RAR1104	4	Needle gasket	
RAR1106	6	Piston gasket	
RAR1107	7	Piston	
RAR1108	8	Fan regulation	
RAR1109	9	Piston spring	
RAR1110	10-2	Needle nut	
RAR1120	20	Cap	
RAR1121	21	Grain	
RAR14XX	1 / 2 / 10	Nozzle, needle and air cap kit RAR 100	

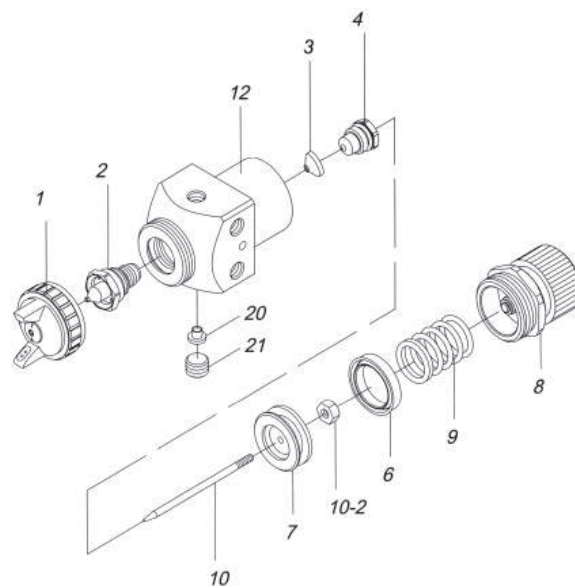
CODE	POS.	DESCRIPTION RAR 200	PRICE
RAR23XX	1	Air cap	
RAR22XX	2 / 10	Fluid nozzle and needle	
RAR2103	3	Needle gasket screw	
RAR2104	4	Needle gasket	
RAR2106	6	Piston gasket	
RAR2107	7	Piston	
RAR2108	8	Fan regulation	
RAR2109	9	Piston spring	
RAR2110	10-2	Needle nut	
RAR2120	20	Cap	
RAR2121	21	Grain	
RAR02XX		Nozzle, needle and air cap kit RAR 200	

RAR 1001 - RAR 200SI

RAR 1001



RAR 200SI

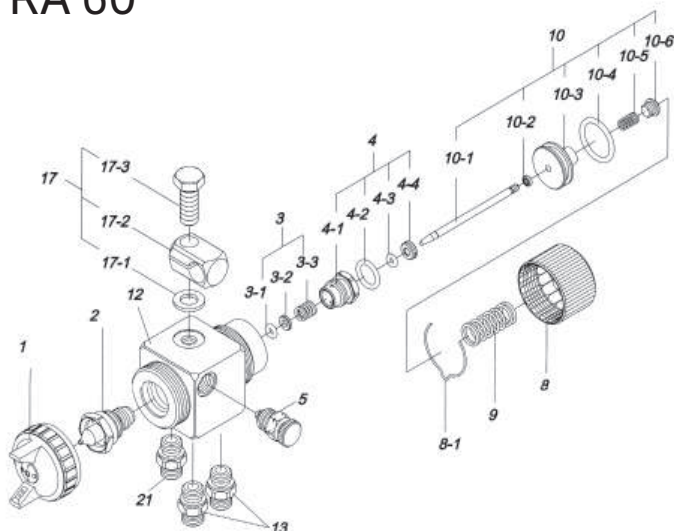


CODE	POS.	DESCRIPTION RAR 1001	PRICE
RAR10012XX	1	Air cap	
RAR10013XX	2 / 10	Fluid nozzle and needle	
RAR100103	3	Needle gasket screw	
RAR100104	4	Needle gasket	
RAR100106	6	Piston gasket	
RAR100107	7	Piston	
RAR100108R	8	Fan regulation	
RAR100109	9	Piston spring	
RAR100110	10-2	Needle nut	
RAR100120	20	Cap	
RAR100121	21	Grain	
RAR10014XX	1 / 2 / 10	Nozzle, needle and air cap kit RAR 1001	

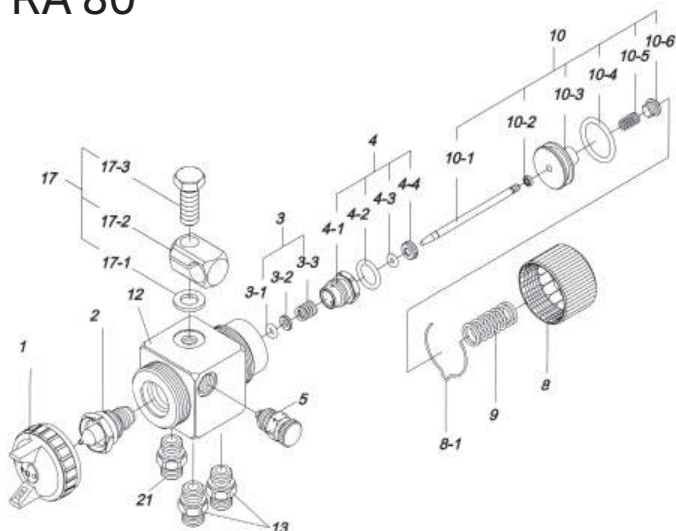
CODE	POS.	DESCRIPTION RAR 200SI	PRICE
RAR200SI3XX	1	Air cap	
RAR200SI2XX	2 / 10	Fluid nozzle and needle	
RAR200SI03	3	Needle gasket screw	
RAR200SI04	4	Needle gasket	
RAR200SI06	6	Piston gasket	
RAR200SI07	7	Piston	
RAR200SI08R	8	Fan regulation	
RAR200SI09	9	Piston spring	
RAR200SI10	10-2	Needle nut	
RAR200SI120	20	Cap	
RAR200SI21	21	Grain	
RAR200SIXX		Nozzle, needle and air cap kit RAR 200SI	

RA 60 - RA 80

RA 60



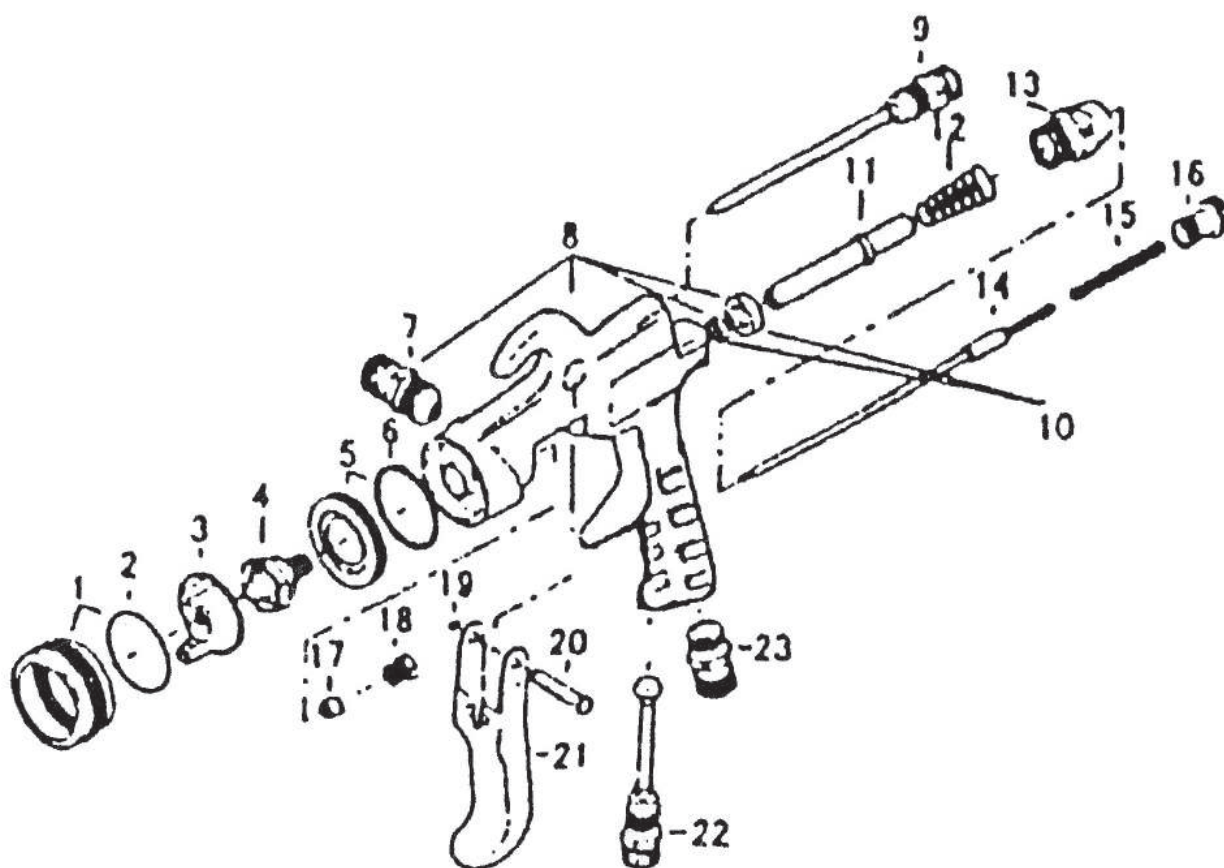
RA 80



CODE	POS.	DESCRIPTION RA 60	PRICE
RA610XX	1	Air nozzle RA 60	
RA620XX	2 / 10	Fluid nozzle and needle RA 60	
RA60103	3	Needle gasket screw	
RA60104	4	Needle gasket	
RA60105	5	Fan regulation	
RA60108	8	Regulation cover	
RA60208	8-1	Clip adjustment	
RA60109	9	Needle spring	
RA60113	13	Air inlet	
RA60117	17	Gun support kit	
RA60121	21	Fluid inlet	
RA630XX	1 / 2 / 10	Nozzle, needle and air cap kit 60 RA	
RA610XXV		Air nozzle VES2P	
RA611XX		Air nozzle VHS2B	
RA612XX		Air nozzle VKS1B	
RA613XX		Air nozzle VNS2B	

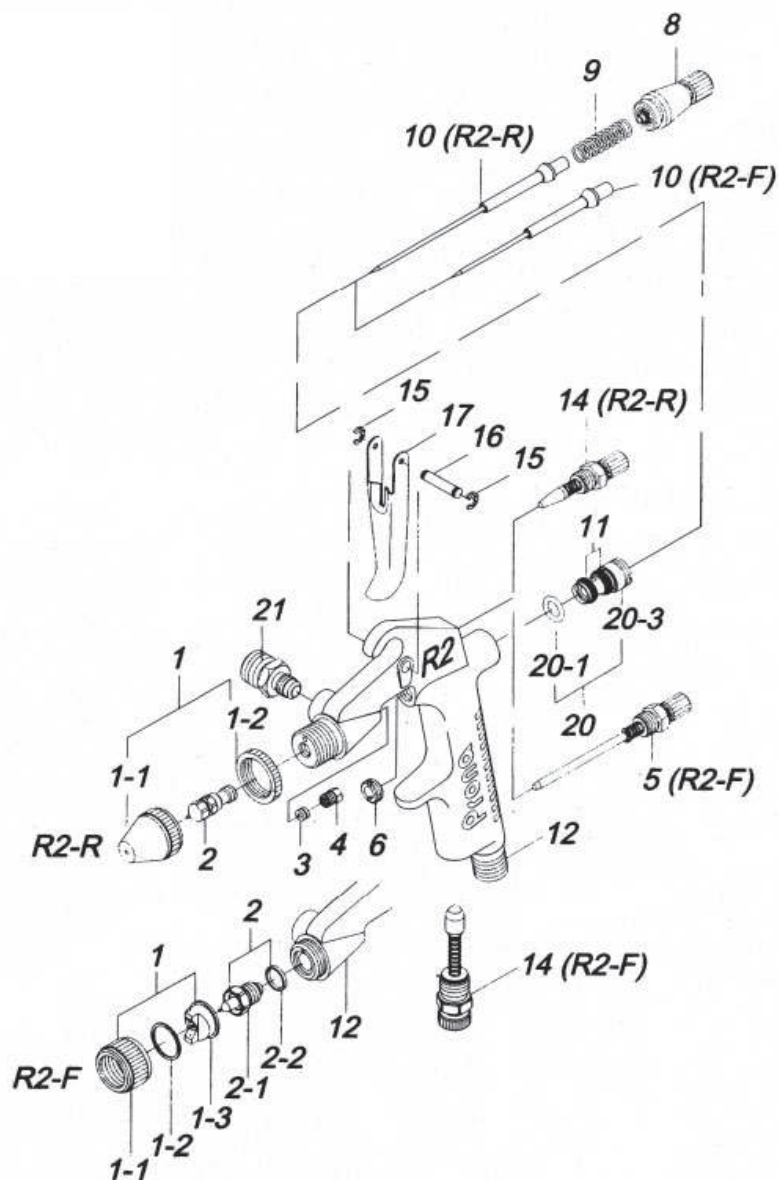
CODE	POS.	DESCRIPTION RA 80	PRICE
RA801XX	1	Air nozzle RA 80	
RA802XX	2 / 10	Fluid nozzle and needle RA 80	
RA80103	3	Needle gasket screw	
RA80104	4	Needle gasket	
RA80105	5	Fan regulation	
RA80108	8	Regulation cover	
RA80208	8-1	Clip adjustment	
RA80109	9	Needle spring	
RA80113	13	Air inlet	
RA80117	17	Gun support kit	
RA80121	21	Fluid inlet	
RA810XX	1 / 2 / 10	Nozzle, needle and air cap kit RA 80	
RA801XXV		Air nozzle VGS2BP	
RA803XX		Air nozzle VLSVB2	
RA804XX		Air nozzle VKS2B	
RA805XX		Air nozzle VRS2B	
RA806XX		Air nozzle VWS2B	

P 2003 - OUT OF PRODUCTION



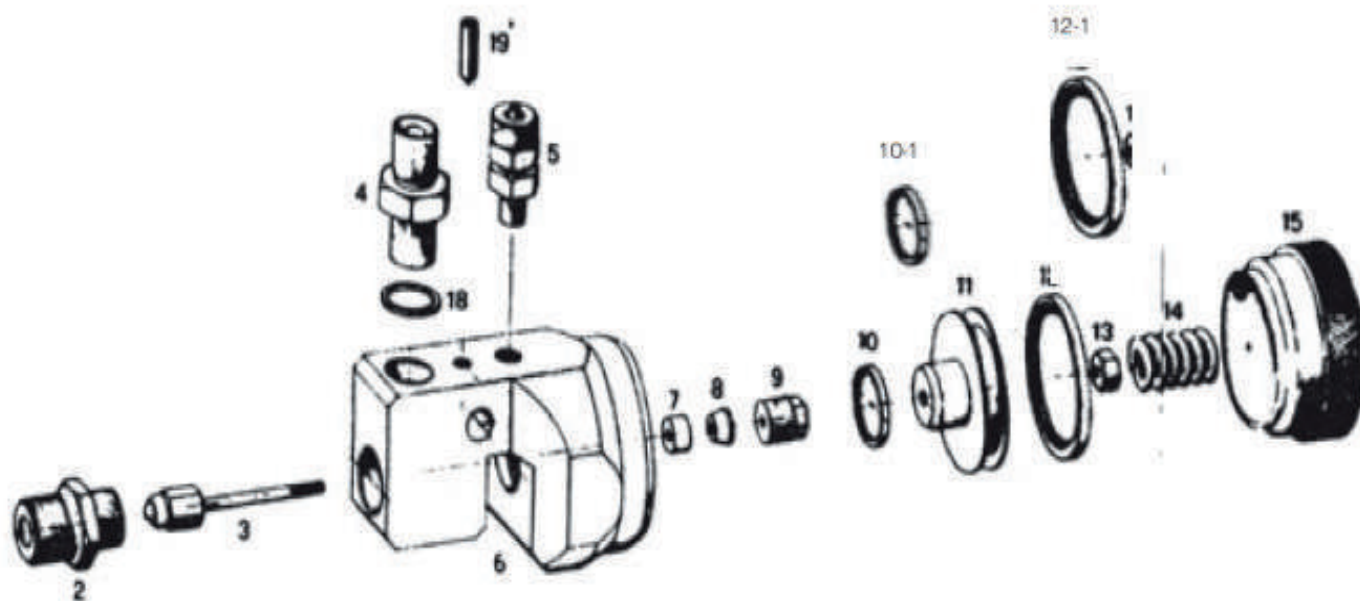
CODE	POS.	DESCRIPTION	PRICE
203P001	1	Air cap ring	
203P002	2	Gasket	
203P1XX	3	Air nozzle	
203P2XX	4	Fluid Nozzle	
203P005	5	Ring nut	
203P006	6	Gasket	
203P007	7	Fluid inlet	
203P008	8	Gun body	
203P009	9	Fan regulation	
203P010	10	Valve seat	
203P011	11	Air valve	
203P012	12	Air valve spring	
203P013	13	Air valve connection	
203P3XX	14	Needle	
203P015	15	Needle spring	
203P016	16	Adjusting rod	
203P017	17	Needle packing	
203P018	18	Screw needle packing	
203P019	19	Seeger trigger	
203P020	20	Trigger Stud	
203P021	21	Trigger	
203P022	22	Air regulation	
203P023	23	Ar inlet	
203P4XX	1/2/3/4/14	Nozzle Kit 2003 P	

R2 R / F - OUT OF PRODUCTION



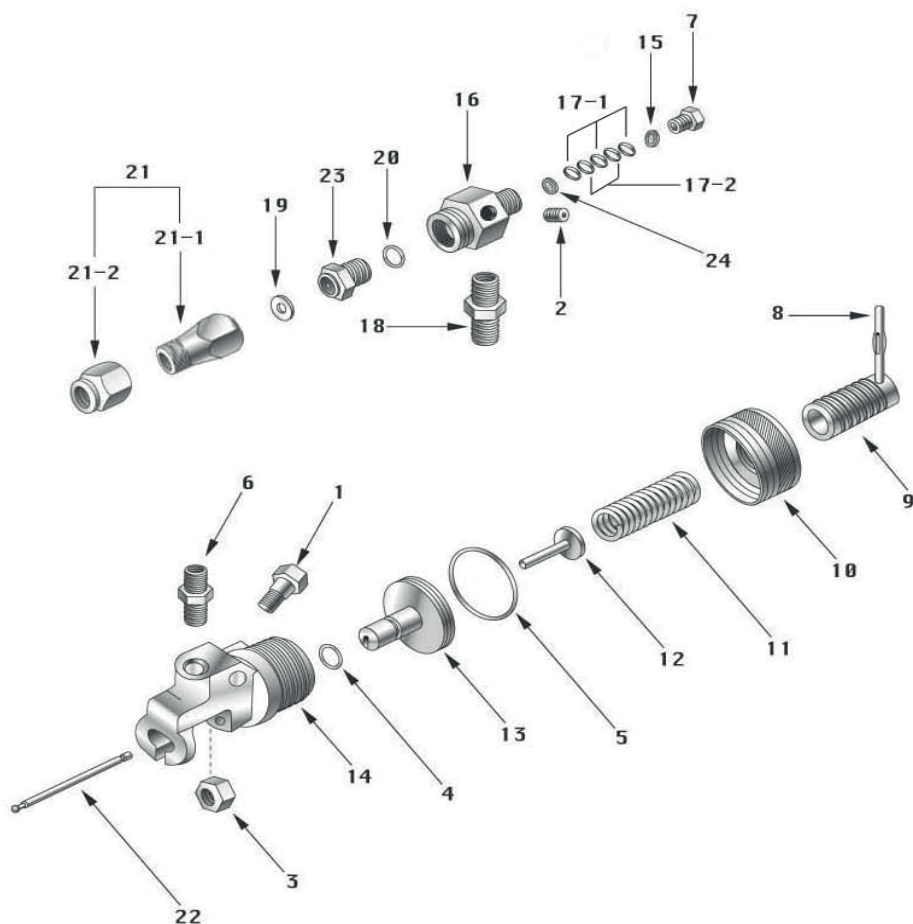
CODE	POS.	DESCRIPTION	PRICE
R2F1XX	1 / 2 / 10	Nozzle, needle and air cap R2 F	
R2R1XX	1 / 2 / 10	Nozzle, needle and air cap R2 R	
R20003	3	Needle gasket screw	
R20004	4	Needle gasket	
R20005	5	Fan regulation R2 F	
R20006	6	Air valve needle gasket screw	
R20008	8	Needle regulation	
R20009	9	Needle spring	
R20011	11	Air valve O-ring	
R20014	14	Air regulation	
R20015	15	Seeger	
R20016	16	Trigger pin	
R20017	17	Trigger	
R20020	20	Air valve complete body	
R20021	21	Fluid inlet	
PRC5114		Side cup 200 cc. FG. 1/4"	

VSA 81



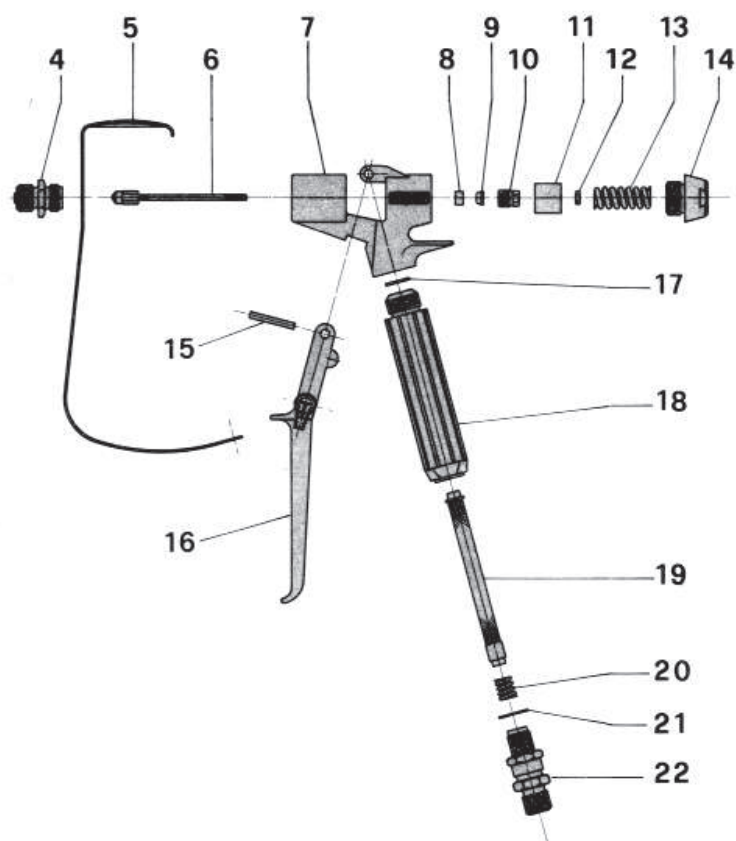
CODE	POS.	DESCRIPTION	PRICE
109011	2	Gun head 11/16"	
109013	3	Complete needle	
151414	4	Fluid inlet	
110418	5	Air inlet	
109061	6	Gun body	
109024C	7	Needle gasket and screw	
109025	8	Wedge	
109026	9	Needle gasket screw	
109062	10	External lubricating	
109062-1	10-1	External lubricating O-ring	
109063	11	Piston	
109064	12	Internal lubricating	
109064-1	12-1	Internal lubricating O-ring	
109028	13	Needle nut	
109065	14	Pressure spring	
109066	15	Movement regulator	
109022	18	Copper gasket	
109067	19	Gun locking grain	
VS00500A	2/3/7/8	Repair kit VSA	

HG 74S



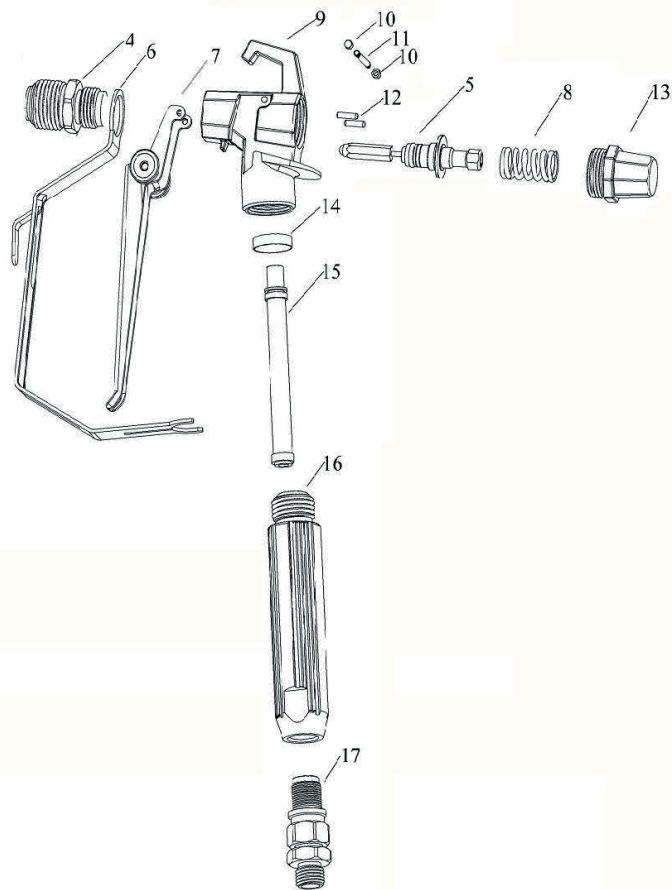
CODE	POS.	DESCRIPTION	PRICE
HG74001	1	Screw	
HG74002	2	Grain	
HG74003	3	Nut	
HG74004	4	O-ring	
HG74005	5	O-ring	
HG73007	6	Nipple	
HG74007	7	Nut	
HG74008	8	Pin	
HG74009	9	Spring regulation	
HG74010	10	Ring	
HG74011	11	Spring	
HG74012	12	Guide	
HG74013	13	Piston	
HG74015	15	Gasket	
HG74016	16	Connection body	
HG74017	17	Gasket	
HG74171	17-1	PTFE Gasket	
HG74172	17-2	Carbide gasket	
HG73007	18	Nipple	
HG30N020	19	Gasket	
HG71005	20	Gasket	
HG74021	21	Locking nut and nozzle support	
HG74022	22	Needle	
HG74023	23	Nozzle seat	
HG74024	24	Gasket	

VS 500



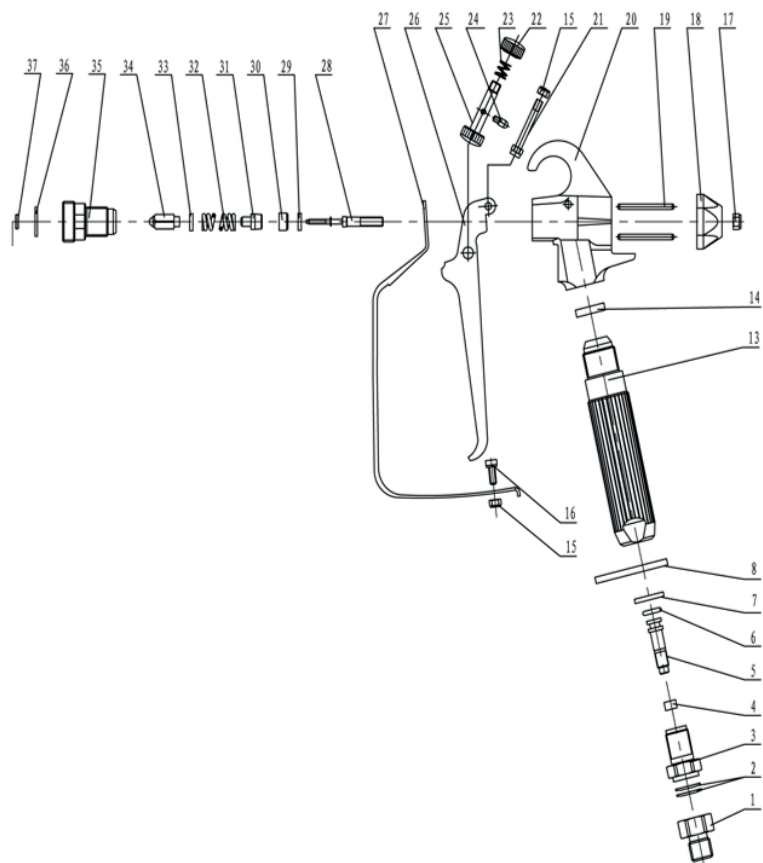
CODE	POS.	DESCRIPTION	PRICE
109011	4	Gun head 11/16"	
109012	5	Hand protection	
109013	6	Complete needle	
109014	7	Gun body	
109024	8	Needle gasket and screw	
109025	9	Wedge	
109026	10	Needle screw	
109027	11	Pressure piston	
109028	12	Needle nut	
109029	13	Pressure spring	
109019	14	Back nut	
109015	15	Trigger screw	
109018	16	Complete trigger	
109017	17	Handle gasket	
109021	18	Handle	
350XXX	19	Gun filter	
350000	20	Filter spring	
109022	21	Copper gasket	
109023	22	Swivel fitting M 16 x 1,5	
109030	22	Swivel fitting M 1/4"	
VS00500		Repair kit VS 500	

VS 300



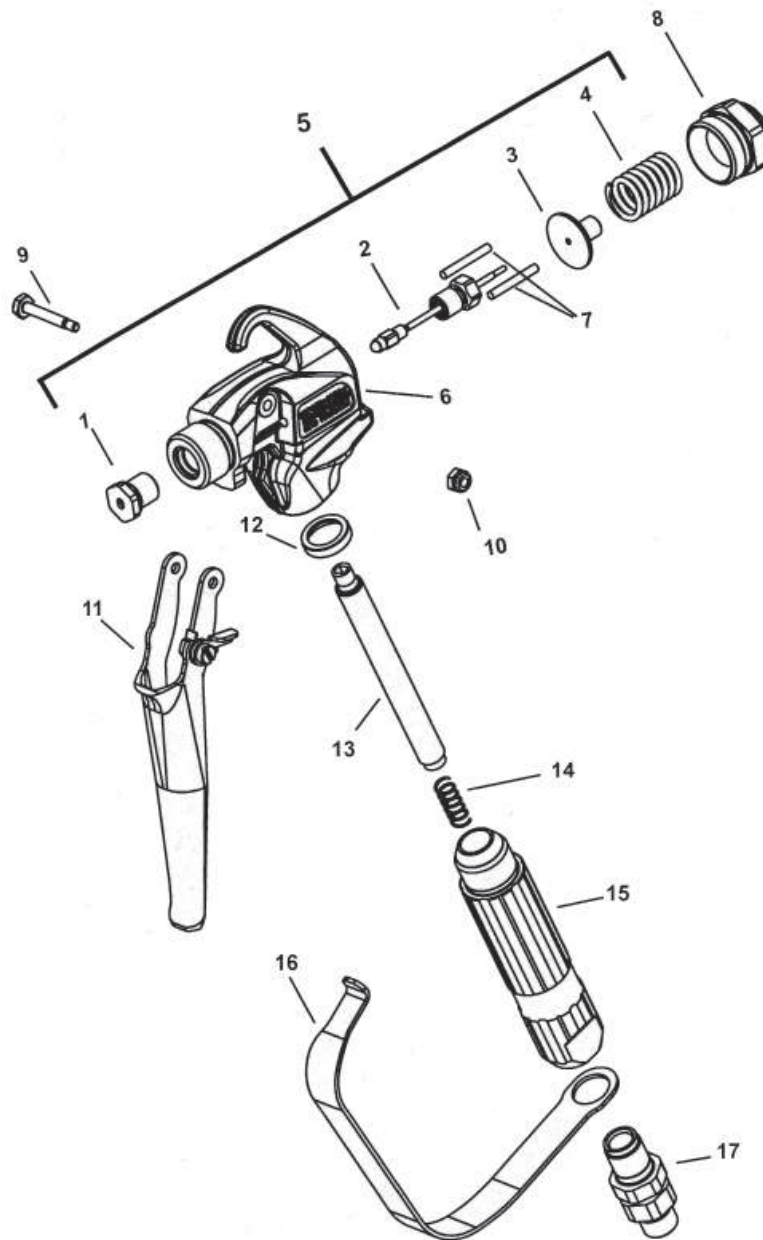
CODE	POS.	DESCRIPTION	PRICE
KIT300VT0	4 / 5	Repair kit VS 300	
VS003014	6	Hand protection	
VS003026	7	Trigger	
VS003018	8	Spring	
VS003025	10	Hexagon nut	
VS003024	11	Trigger pin	
VS003016	12	Pin 2pz	
VS003019	13	Cap	
VS003020	14	Handle gasket	
350XXX	15	Gun filter	
VS003022	16	Handle	
109023	17	Swivel fitting M 16 x 1,5	
109030	17	Swivel fitting M 1/4"	

VS 818



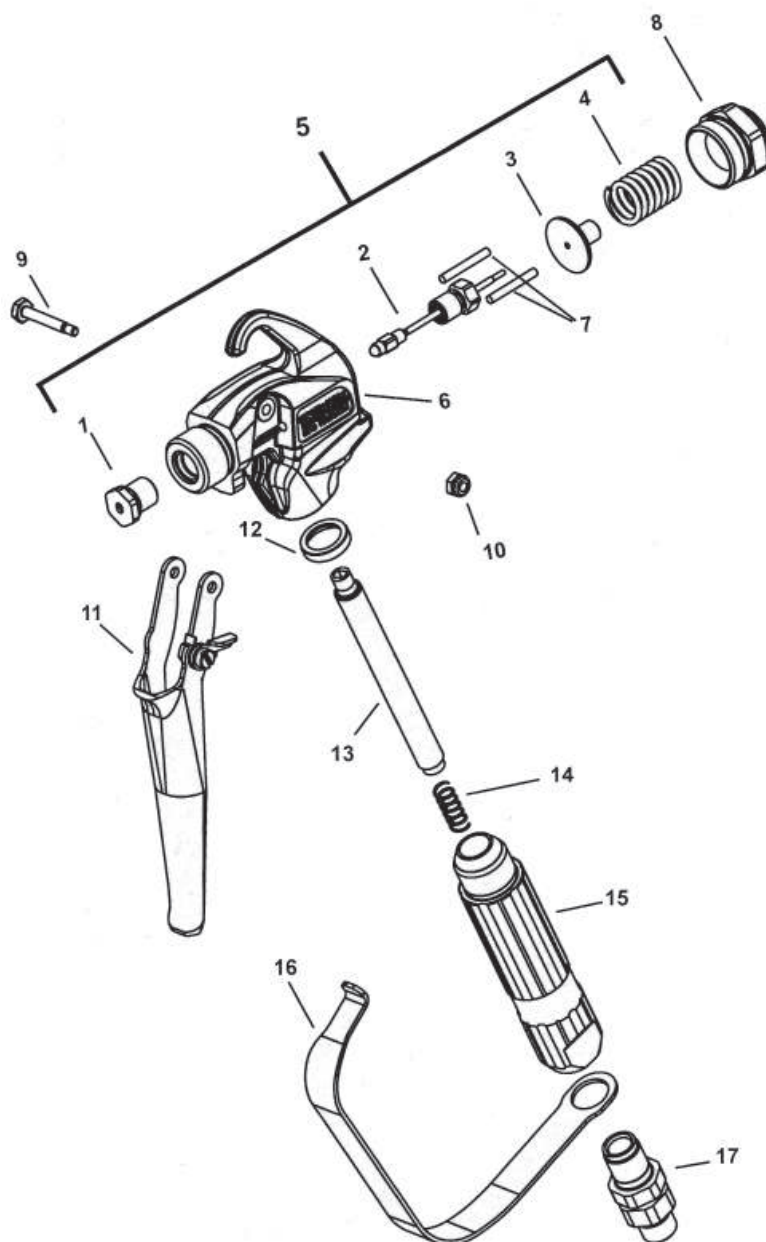
CODE	POS.	DESCRIPTION	PRICE
109030	1/ 2 / 3/ 4 / 5 / 6 / 7	Swivel fitting M 1/4"	
818R08	8	Trigger support	
818R13	13	Handle	
818R14	14	Washer	
818R15	15	Fixed nut M4	
818R16	16	Screw M4x10	
818R17	17	Nut M5	
818R18	18	Back nut	
818R19	19	Pin	
818R21	21	Trigger pin	
818R22	22 / 23 / 24 / 25	Trigger support complete	
818R26	26	Trigger	
818R27	27	Handle guard	
818R28	28	Needle	
818R29	29	Copper washer	
818R30	30	Needle gasket screw	
818R31	31	Spring support	
818R32	32	Needle spring	
818R33	33	Needle gasket	
818R34	34	Needle head	
818R35	35	Seat	
818R36	36	Gasket	
818R37	37	Washer	

VS 360



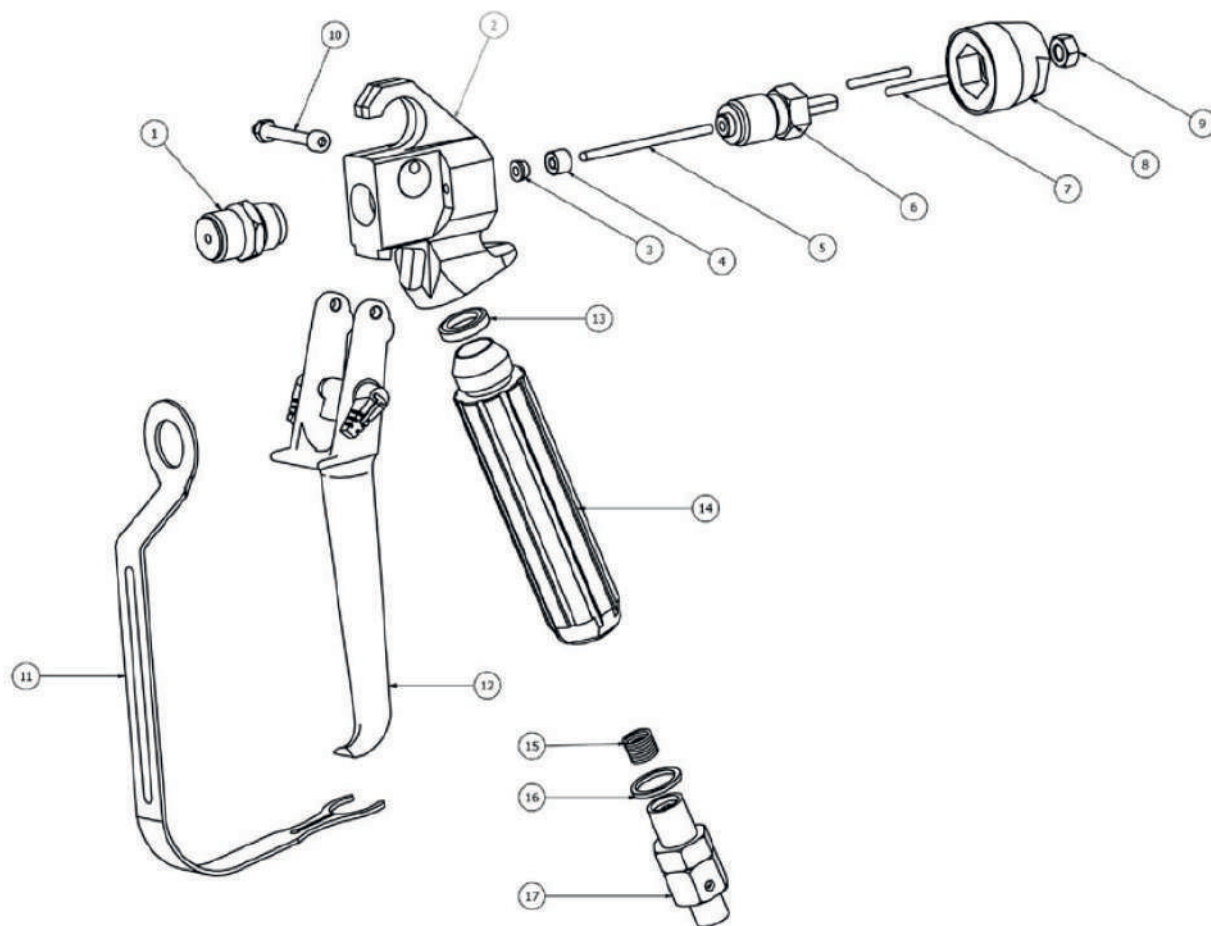
CODE	POS.	DESCRIPTION	PRICE
T503092	5	Repair Kit T 360	
T501015	6	Gun body	-
T501014	7	Push pin	
T500021	8	Back nut	
T500027	9	Trigger pin	
T500031	10	Trigger pin nut	
T501225	11	Trigger	
T501018	12	Handle gasket	
350XXX	13	Gun filter	
350000	14	Filter spring	
T501080	15	Handle	
T501024	16	Handle guard	
T501035	17	Swivel fitting 1/4"	
T501035X	17	Swivel fitting 16x1.5	

VS 720



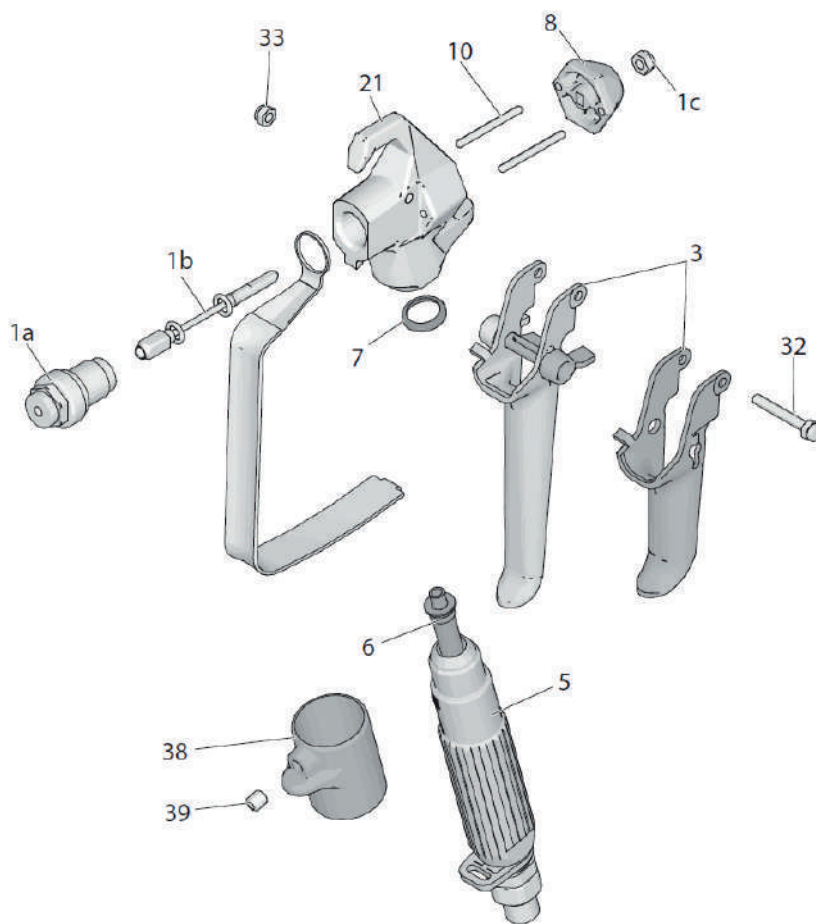
CODE	POS.	DESCRIPTION	PRICE
T506092	5	Repair Kit T720	
T501052	6	Gun body	
T501014	7	Push pin	
T500021	8	Back nut	
T500027	9	Trigger pin	
T500031	10	Trigger pin nut	
T501225	11	Trigger	
T501018	12	Handle gasket	
350XXX	13	Gun filter	
350000	14	Filter spring	
T501054	15	Handle	
T501024	16	Handle guard	
T501335	17	Swivel fitting 1/4"	
T501035X	17	Swivel fitting 16x1.5	

VS 650



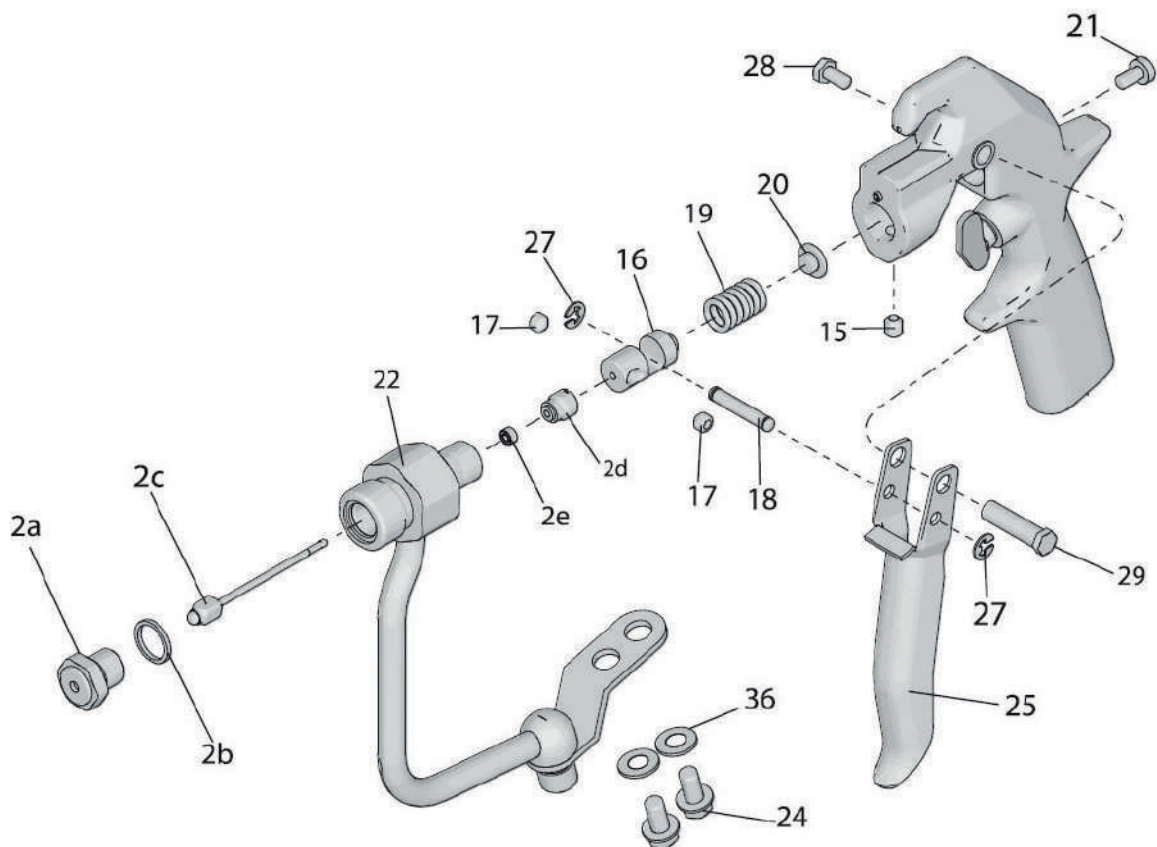
CODE	POS.	DESCRIPTION	PRICE
M76102	1	Gun head	
M77105	3	Pressure wedge	
M77104	4	Needle gasket and screw	
M79513	5	Complete needle	
M79512	6	Regulation body	
M19612	7	Locking pin	
M736	8	Regulation cap	
M79011	9	Locking nut	
M77111	10	Trigger pin	
M79010	11	Handle guard	
M79150	12	Trigger	
M77117	13	Handle gasket	
M77112	14	Handle	
350000	15	Filter spring	
M77114	16	Copper washer	
109023	17	Swivel fitting M 16 x 1,5	
109030	17	Swivel fitting M 1/4"	

PRO LIGHT 500



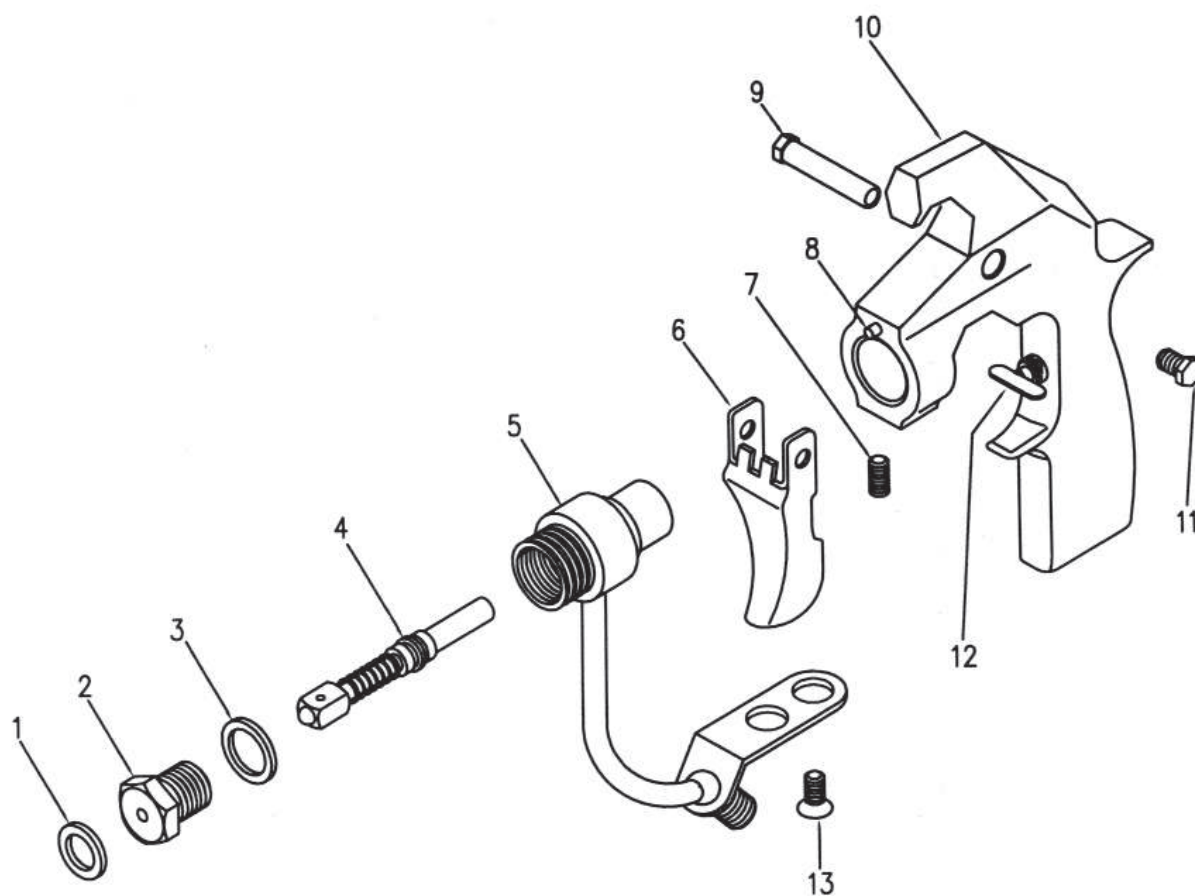
CODE	POS.	DESCRIPTION	PRICE
G288817	1a / 1b / 1c	Repair kit	
G255127	3	Trigger set	
G195495	4	Handle guard	
17M532	5	Handle	
350XXX	6	Gun filter	
G179733	7	Gasket	
G195395	8	Back cap	
G115484	10	Pin 2pz	
G858029	17	Gasket with o-ring	
G177538	32	Trigger pin	
G105334	33	Nut	

MASTIC 24E

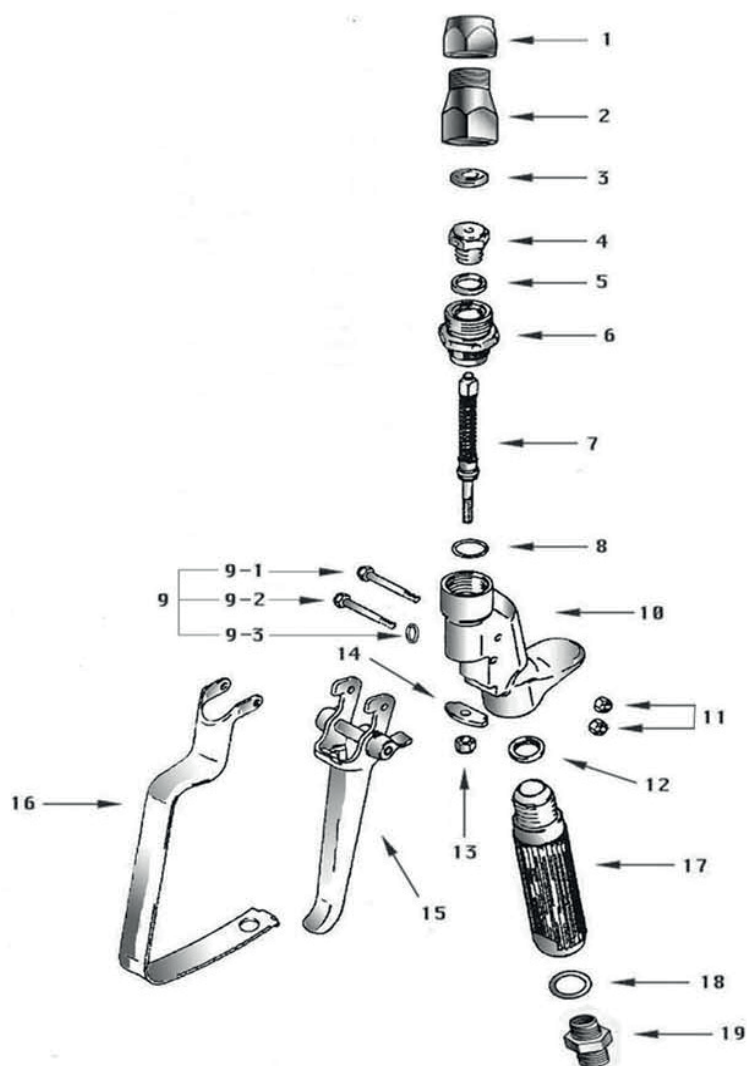


CODE	POS.	DESCRIPTION	PRICE
237260	2a / 2b / 2c / 2d / 2e	Repair kit	
G102207	15	Locking screw	
G189960	16	Spring guide	-
G112729	17	Locking screw	
G189958	18	Trigger pin	
G102924	19	Spring	
G189990	20	Spring support	
G110637	21	Screw regulation	
G237694	22	Fluid inlet set	-
G112774	24	Screw	
G189974	25	Trigger	
G112410	27	Seeger	
G187965	28	Trigger pin	-
G203953	29	Trigger pin screw	
G110755	36	Washer	

HG72P

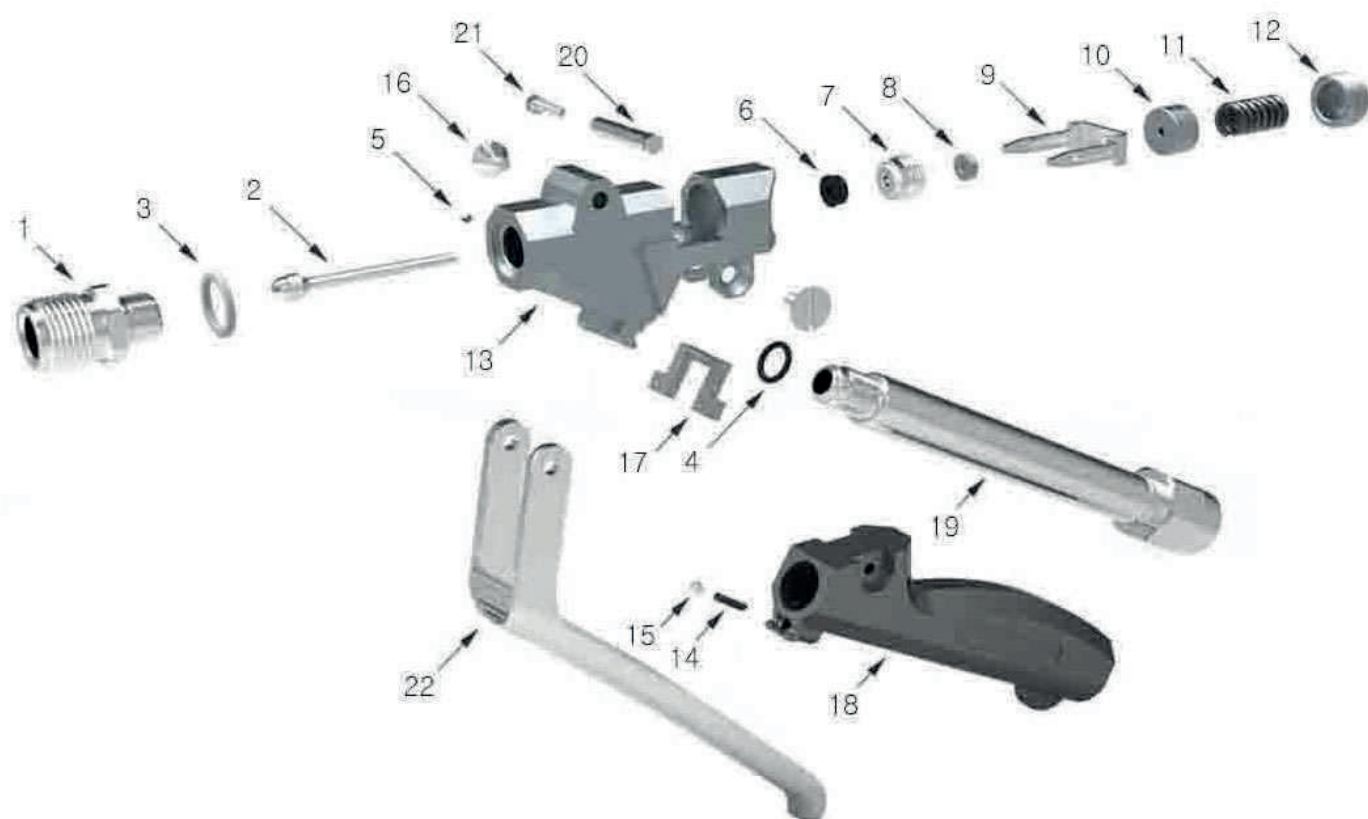


CODE	POS.	DESCRIPTION	PRICE
HG72P01	1	Standard nozzle seal	
HG72P02	2	Gun head	
HG72P03	3	Sleeve seal	
HG72P04	4	Complete needle	
HG72P05	5	Fluid inlet set	
HG72P06	6	Trigger	
HG72P07	7	Grain	
HG72P08	8	Locking pin	
HG72P09	9	Trigger pin	
HG72P10	10	Gun body	
HG72P11	11	Trigger screw	
HG72P12	12	Security lock	
HG72P13	13	Fluid assembly screw	



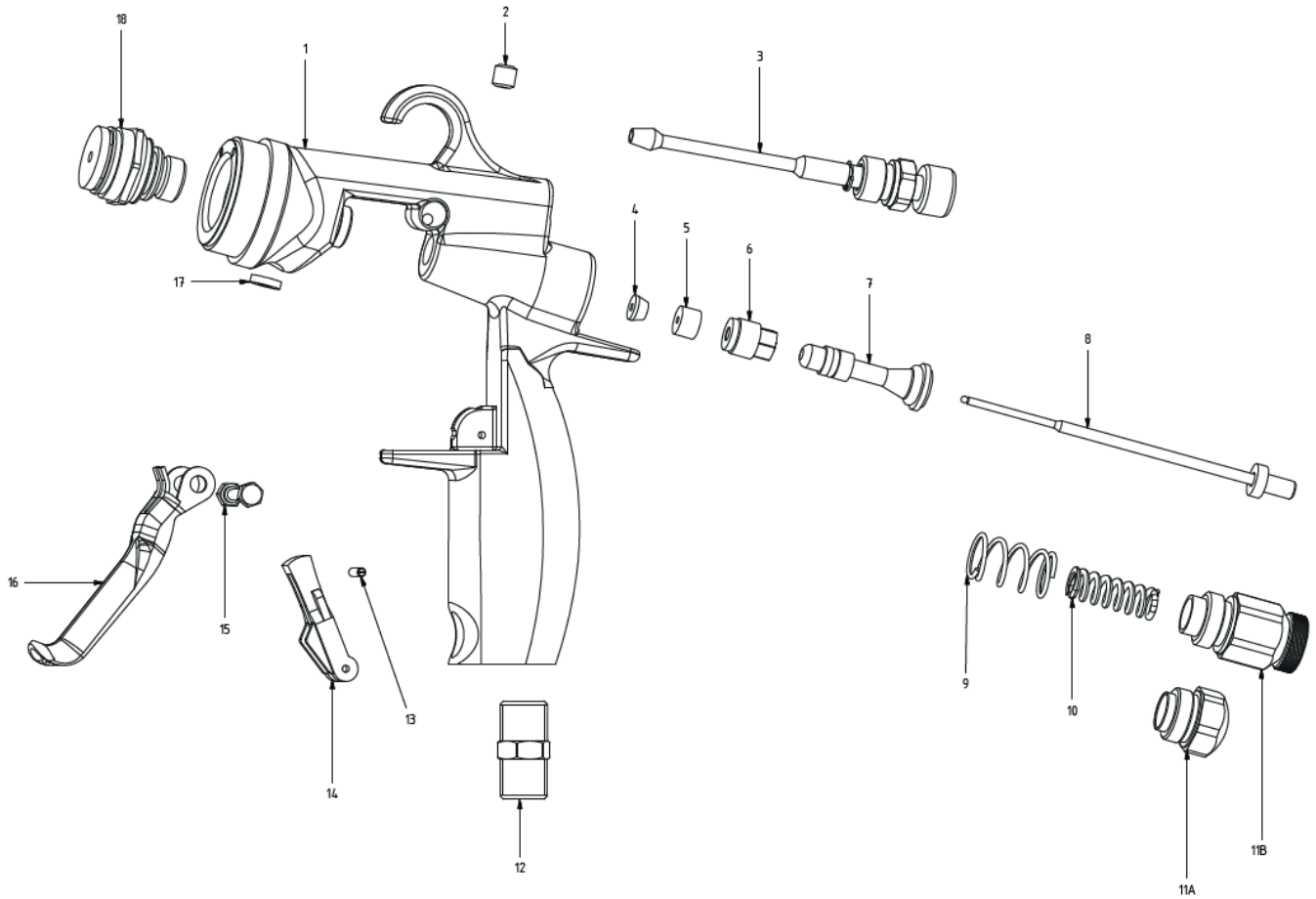
CODE	POS.	DESCRIPTION	PRICE
HG30N001	1	Tip locking ring	
HG30N002	2	Tip support	
HG30N020	3	Gasket	
HG30N003	4	Seat	
HG30N004	5	Copper gasket	
HG76006	6	Connector	
HG30N010	7	Needle set	
HG76008	8	Seat	
HG76009	9	Copper washer	
HG30N009	11	Nut	
HG30N019	12	PTFE gasket	
HG30N013	13	Nut	
HG76014	14	Support	
HG46015	15	Trigger set	
HG76016	16	Handle guard	
HG30N015	17	Handle	
HG30N016	18	Copper washer	
HG76019	19	Fluid inlet	

PRO FOREX



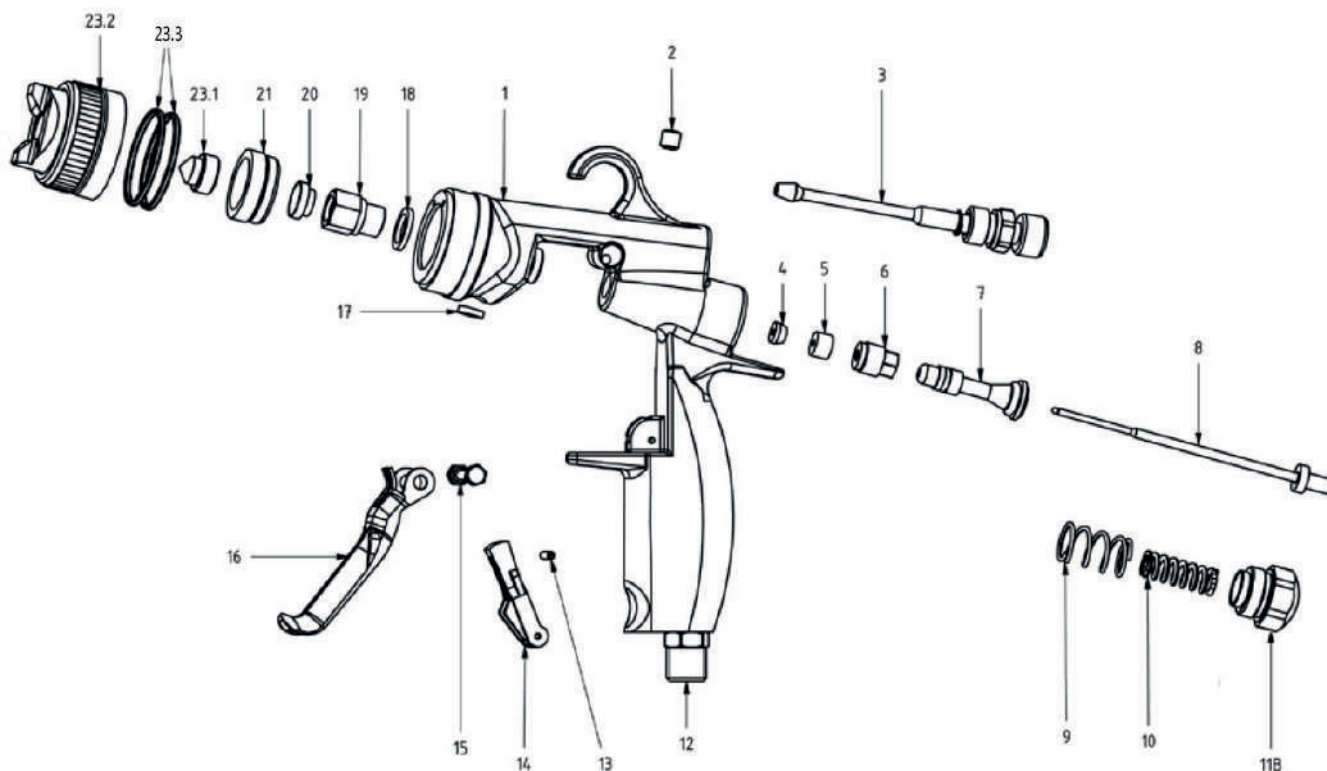
CODE	POS.	DESCRIPTION	PRICE
HG61001	1	Stainless steel seat	
HG61002	2	Stainless steel needle set	
HG61003	3	O-ring PTFE	
HG61004	4	Locking o-ring	
HG61005	5	Grain	
HG61006	6	V-Gasket in polyurethane	
HG61007	7	Locking screw	
HG61008	8	Needle nut	
HG61009	9	Locking block	
HG61010	10	Spring support	
HG61011	11	Spring	
HG61012	12	Regulation nut	
HG61014	14	Trigger spring	
HA64007	15	Ball 1/8"	
HG61016	16	Trigger screw	
HG61017	17	Trigger support	
HG61018	18	Handle cover	
HG61019	19	Handle	
HG61020	20	Trigger pin	
HG61021	21	Trigger pin screw	
HG61022	22	Trigger	

VS 23



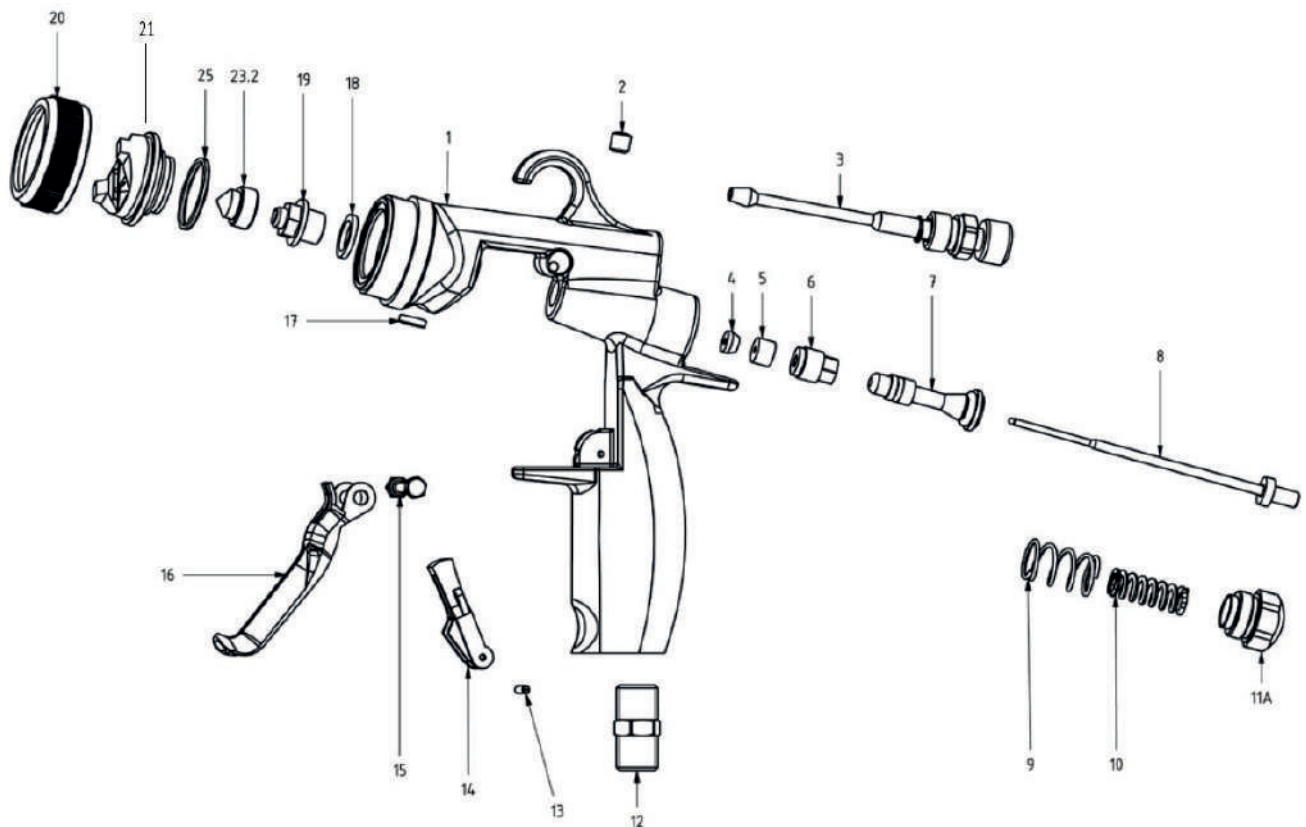
CODE	POS.	DESCRIPTION	PRICE
23VS002	2	Wedge	
23VS003	3	Fan regulation set	
23VS004	4	Pressure wedge	
23VS005	5	Fluid needle gasket	
23VS006	6	Fluid needle screw	
23VS007	7	Air valve complete	
23VS008	8	Needle set	
23VS009	9	Air valve spring	
23VS0010	10	Needle spring	
23VS011A	11A	Back cap	
23VS0012	12	Air inlet 1/4"	
23VS0013	13	Pin	
23VS0014	14	Safety lock	
23VS0015	15	Trigger pin	
23VS0016	16	Trigger	
23VS0017	17	Sealing gasket	
23VS0018	18	Gun head	
VDA001		Reversible tip guard airmix	
TUFXXX		Rev tip Ultra Finish	

VS 21



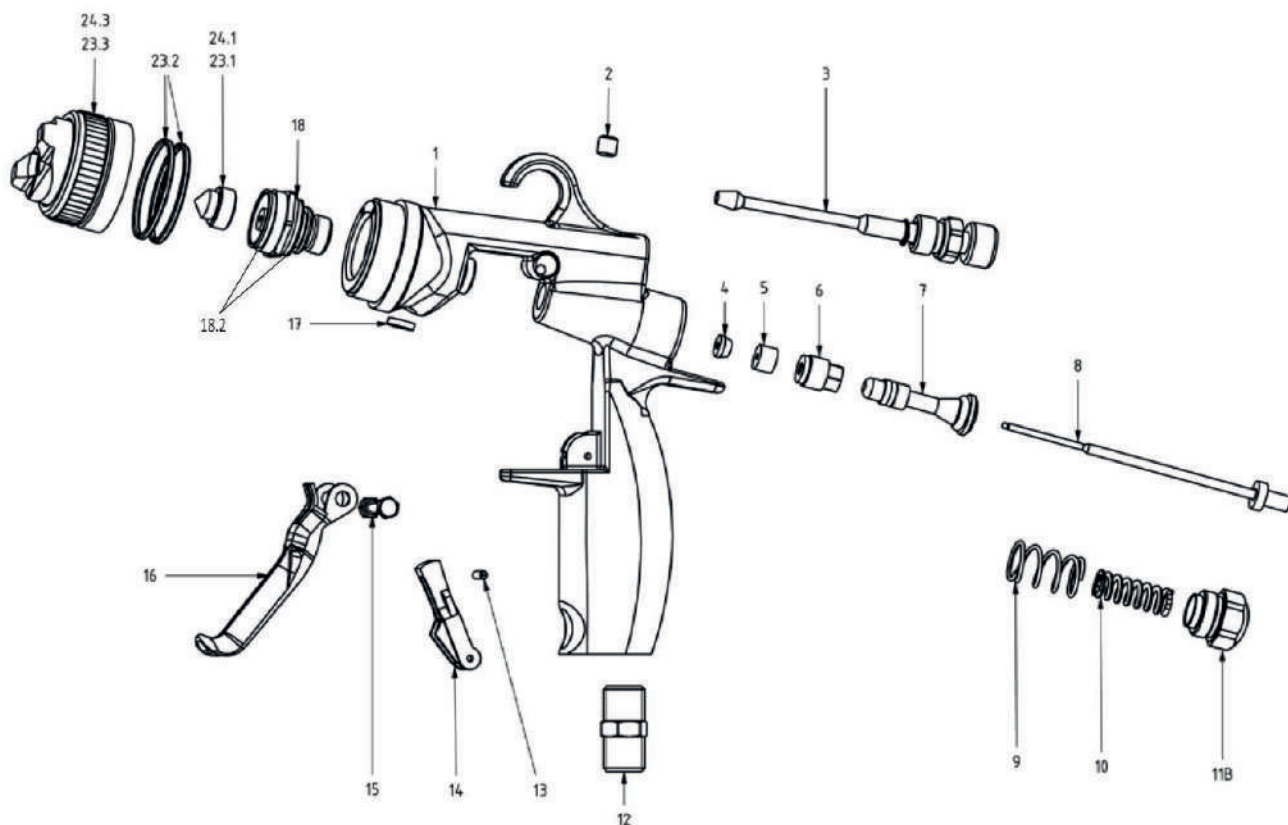
CODE	POS.	DESCRIPTION	PRICE
21VS002	2	Wedge	
21VS003	3	Fan regulation set	
21VS004	4	Pressure wedge	
21VS005	5	Fluid needle gasket	
21VS006	6	Fluid needle screw	
21VS007	7	Air valve complete	
21VS008	8	Needle set	
21VS009	9	Air valve spring	
21VS010	10	Needle spring	
21VS11B	11B	Back cap	
21VS012	12	Air inlet 1/4"	
21VS013	13	Pin	
21VS014	14	Safety lock	
21VS015	15	Trigger pin	
21VS016	16	Trigger	
21VS017	17	Sealing gasket	
21VS028	18	Copper washer	
21VS019	19	Gun head	
21VS020	20	Nozzle seat gasket	
21VS021	21	Seat sealing gasket	
E460XXX	23-1	Mix nozzle type Wagner GM 3000 / 4600	
VRWA18R	23-2	RED Air cap complete type Wagner	
VBWA10078S	23-3	Air cap gasket type GM 3000/4600	

VS 22



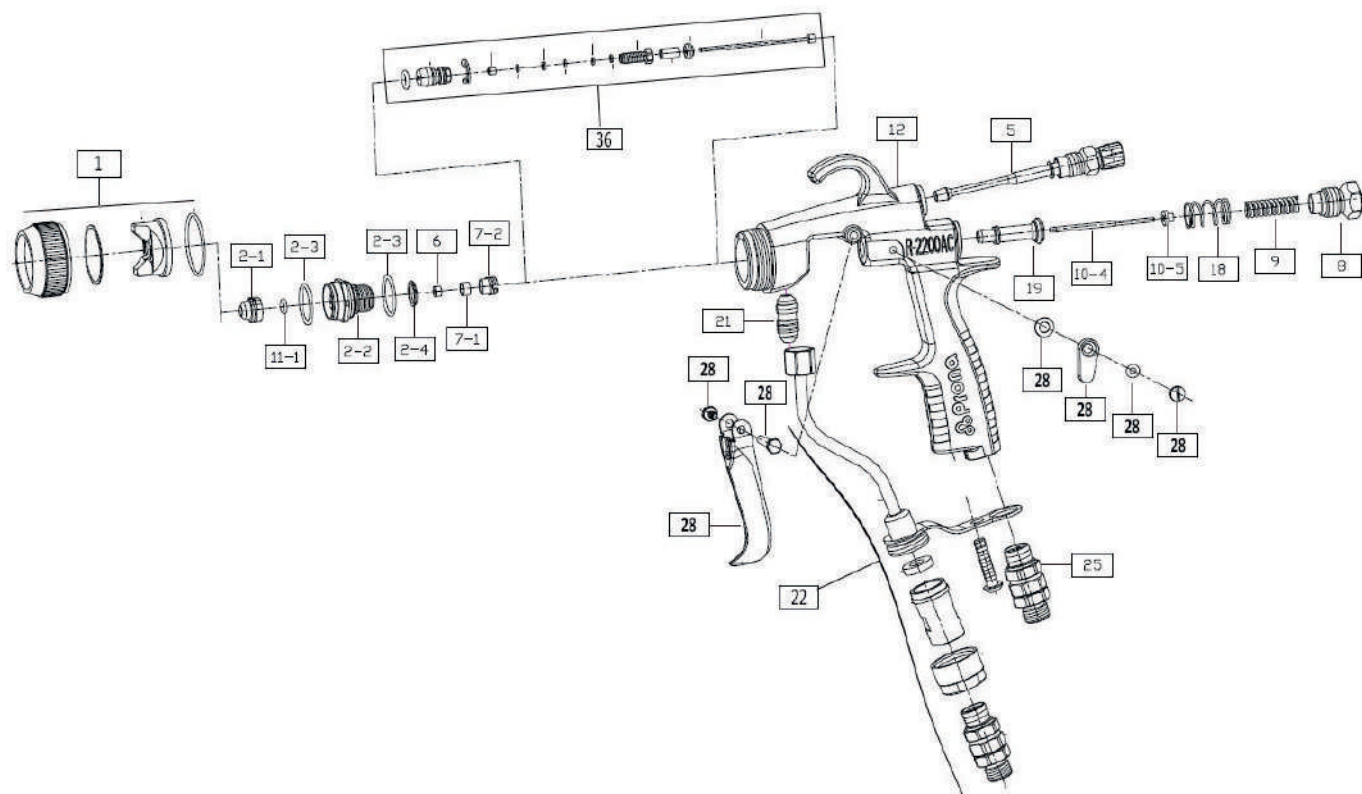
CODE	POS.	DESCRIPTION	PRICE
22VS002	2	Wedge	
22VS003	3	Fan regulation set	
22VS004	4	Pressure wedge	
22VS005	5	Fluid needle gasket	
22VS006	6	Fluid needle screw	
22VS007	7	Air valve complete	
22VS008	8	Needle set	
22VS009	9	Air valve spring	
22VS010	10	Needle spring	
22VS11B	11A	Back cap	
22VS012	12	Air inlet 1/4"	
22VS013	13	Pin	
22VS014	14	Safety lock	
22VS015	15	Trigger pin	
22VS016	16	Trigger	
22VS017	17	Sealing gasket	
22VS028	18	Seat sealing gasket	
22VS019	19	Nozzle seat	
OPTGXXX	20	Air cap ring type Optima 2000	
OPTCXXX	21	Air nozzle type Optima 2000	
OPTXXX	23-2	Fluid nozzle type Optima 2000	
102003	25	Air nozzle gasket	

VS 41 LIGHT



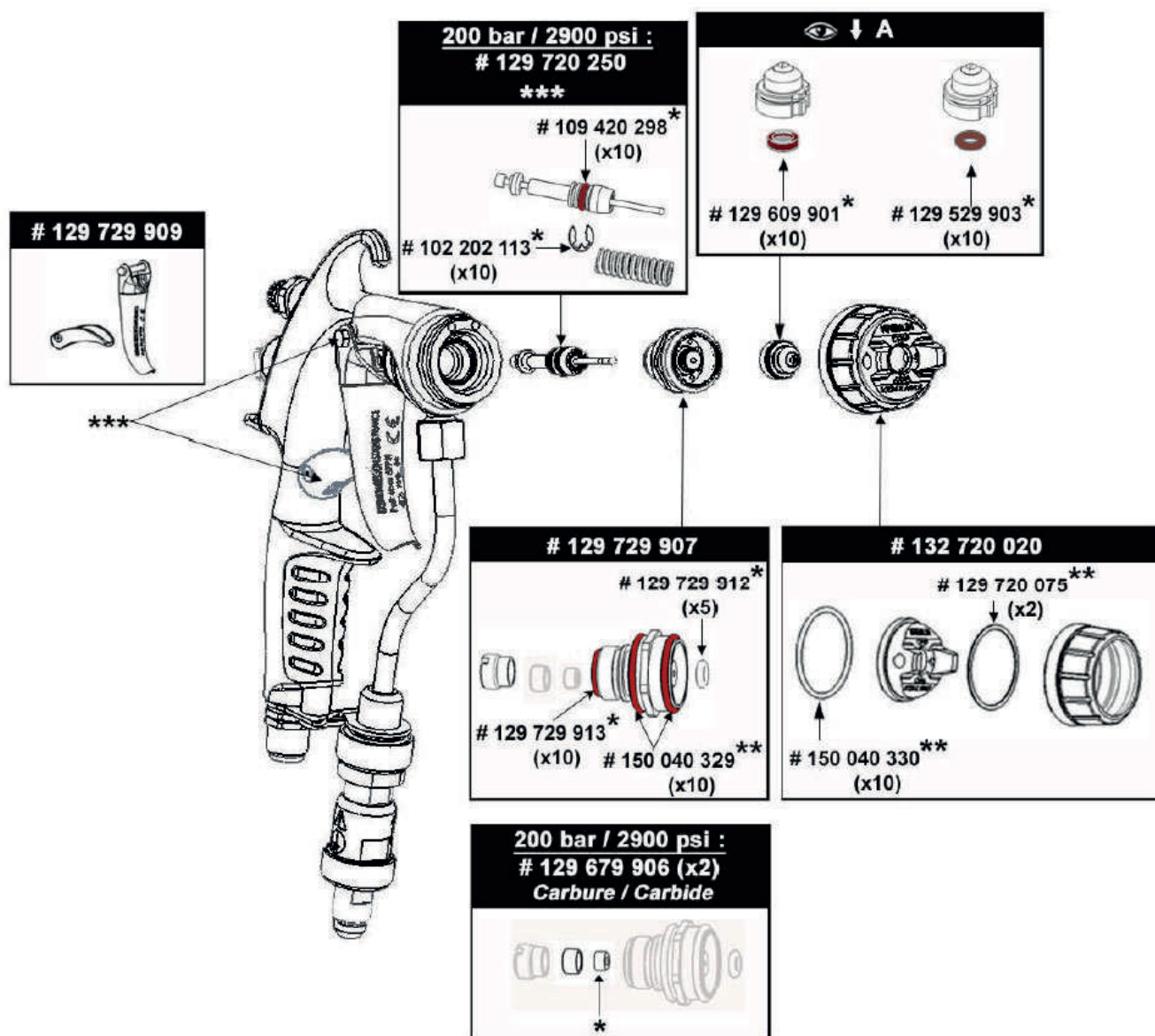
CODE	POS.	DESCRIPTION	PRICE
41VS002	2	Wedge	
41VS003	3	Fan regulation set	
41VS004	4	Pressure wedge	
41VS005	5	Fluid needle gasket	
41VS006	6	Fluid needle screw	
41VS007	7	Air valve complete	
41VS008	8	Needle set	
41VS009	9	Air valve spring	
41VS010	10	Needle spring	
41VS11B	11B	Back cap	
41VS012	12	Air inlet 1/4"	
41VS013	13	Pin	
41VS014	14	Safety lock	
41VS015	15	Trigger pin	
41VS016	16	Trigger	
41VS017	17	Sealing gasket	
41VS018	18	Gun head	
VSKR054	18-2	Sleeve gasket type Kremlin	
E554XXXX	23-1	Mix nozzle type Kremlin	
E552XXXX	24-1	Pre-atomized Kremlin type nozzle	
VSKR059	23-2	Air cap gasket pkg. 10 pcs	
UKSVT01	23-3	Air cap type VX24 (Standard included)	

R-2200 AC



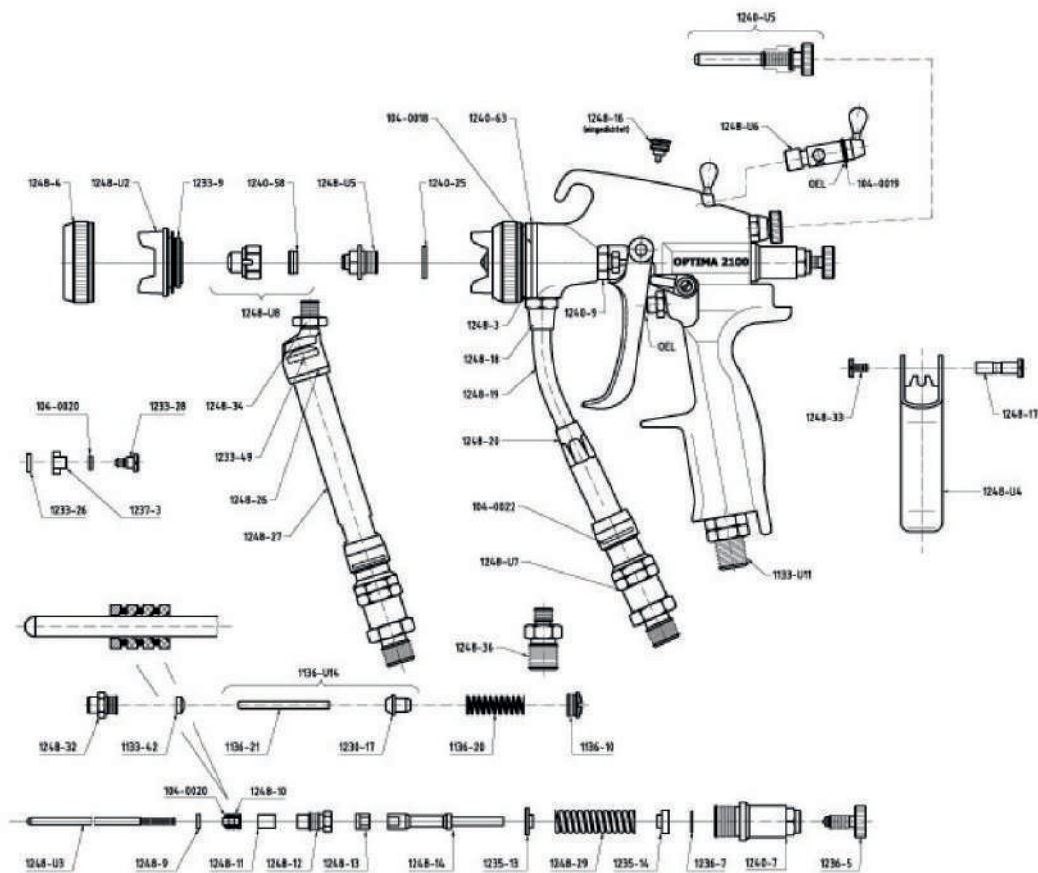
CODE	POS.	DESCRIPTION	PRICE
UKSVT01	1	Air cap type VX24 (Standard included)	
E554XXX	2-1	Mix nozzle type Kremlin	
200AC022	2-2	Sleeve	
VSKR0S4	2-3	Sleeve gasket type Kremlin	
VSKR0S6	2-4	Back sleeve gasket type Kremlin	
200AC005	5	Fan regulation set	
200AC006	6	Fluid needle gasket	
200AC071	7-1	Needle guide	
200AC072	7-2	Needle guide nut	
200AC008	8	Needle regulation nut	
200AC009	9	Needle spring	
200AC104	10-4	Fluid regulation	
200AC105	10-5	Needle guide	
554GCXX	11-1	Nozzle gasket type Kremlin	
200AC018	18	Needle regulation spring	
200AC019	19	Air regulation valve	
PF2200AC	22	Tip filter holder set type Kremlin FG 1/4"	
PF2200AJ	22	Tip filter holder set type Kremlin 1/2 Jic	
200AC025	25	Fluid connector RFC-HR	
200AC028	28	Trigger set	
200AC036	36	Needle set	

XCITE KREMLIN



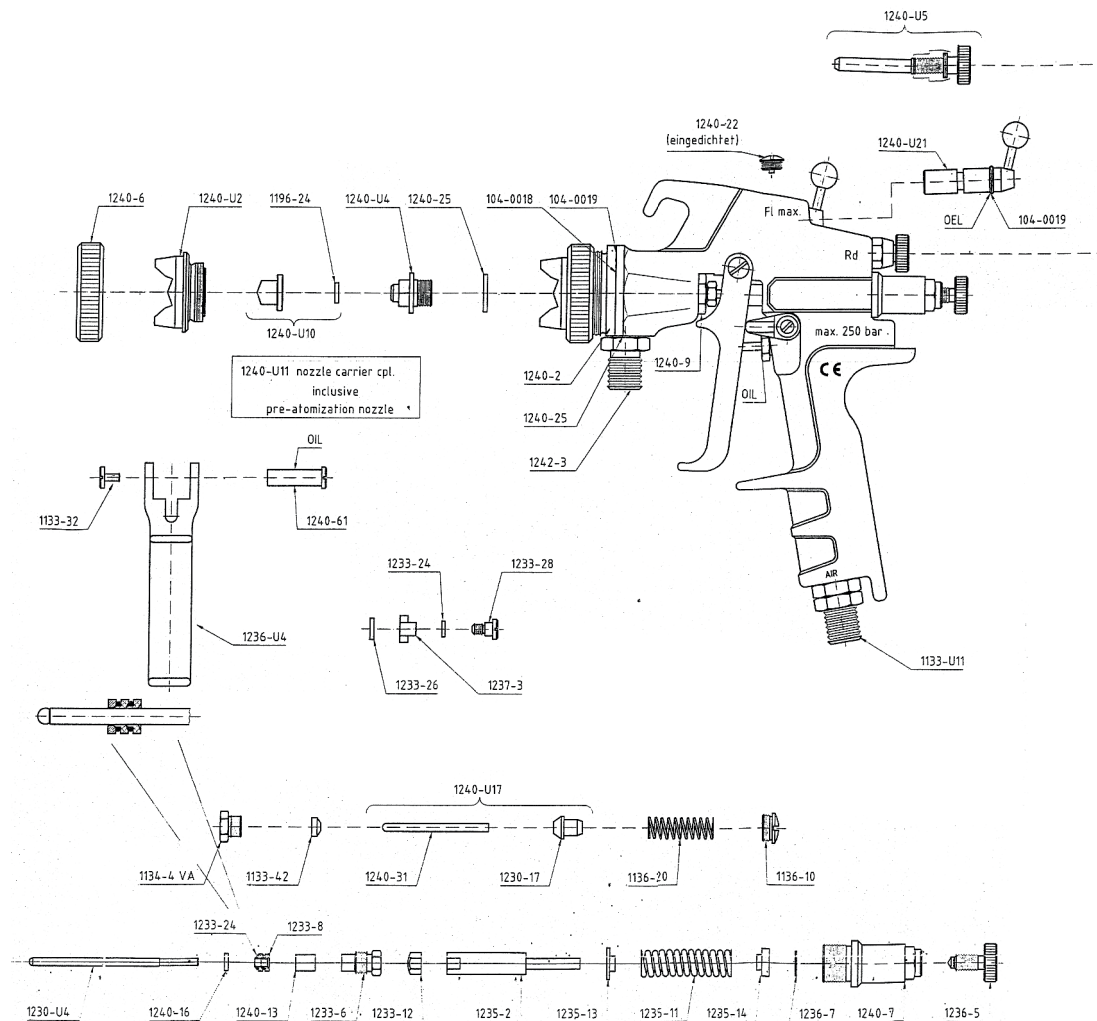
CODE	OEM REF.	DESCRIPTION	PRICE
VSKN1060	129.720.250	Needle set complete type Kremlin Xcite	
VSBR00X	129.609.901	Tip filter type Kremlin 75 / 100 / 140 M	
554GCXX	129.529.903	Nozzle gasket type Kremlin	
UKSVT01	132.720.020	Air cap type VX 24	
VSKR0S9	150.040.330	Air cap gasket pkg. 10 pcs	
VSKR0S5	129.720.075	Air nozzle gasket pkg. 2 pcs	
VSKN1066	129.729.912	Front sleeve gasket type Kremlin Xcite conf. 5 pz	
VSKR0S4	150.040.329	Middle sleeve gasket type Kremlin Xcite conf. 10 pz	
VSKR0S6	129.129.913	Back sleeve gasket type Kremlin Xcite conf. 10 pz	
E554XXXX	134.5XX.XXX	Mix nozzle type Kremlin	
E552XXXX	132.5XX.XXX	Pre-atomized Kremlin type nozzle	
PF2200AC	129.720.085	Tip filter holder set type Kremlin 1/4"	
PF2200AJ		Tip filter holder set type Kremlin 1/2 Jic	

OPTIMA 2100



CODE	DESCRIPTION	PRICE	CODE	DESCRIPTION	PRICE
OP2GXXX	Air cap ring		1248-20	Filter body	
OP2CXXX	air nozzle		104-0022	Viton O-ring 12 x 1.5	
1233-9	Seal air nozzle		1248-U7	Swivel connector material	
OP2XXX	Nozzle mix 1248-U8		1248-36	Fluid connection	
1240-58	Seal nozzle mix		1240-9	Nut block material	
1248-U5	nozzle		1133-U11	Swivel air fitting M 1/4 "	
1240-25	Seal nozzle		1248-32	Screw air valve packing	
104-0018	Viton O-ring 3.5 x 1		1133-42	Gland Air Valve	
1240-63	O-ring		1136-21	Valve pin air	
1248-16	Valve cap range		1230-17	air Valve	
1248-U6	Air adjustment range cpl.		1136-20	Air valve spring	
1240-U5	Air Valve range		1136-10	Air valve cap	
104-0019	Viton O-ring 7 x 1		1248-U3	rod complete	
1248-33	Screw the trigger		1248-9	spacer	
1248-17	trigger Stud		104-0020	Viton O-ring 4 x 1.2	
1248-U4	trigger		1248-10	needle packing	
1233-26	washer		1248-11	long spacer	
1237-3	security		1248-12	Screw rod seals	
1233-28	Screw safety		1248-13	rod nut	
1248-34	Fluid connection		1248-14	mounting rod	
1233-49	gasket		1235-13	Spring seat fore front	
1248-26	Top holder		1248-29	needle spring	
1248-27	filter holder		1235-14	Spring Seat Rear rod	
1248-3	block material		1236-7	Adjusting rod	
1248-18	Fluid connection		1240-7	locking rod	
1248-19	Top holder		1236-5	Adjusting rod	

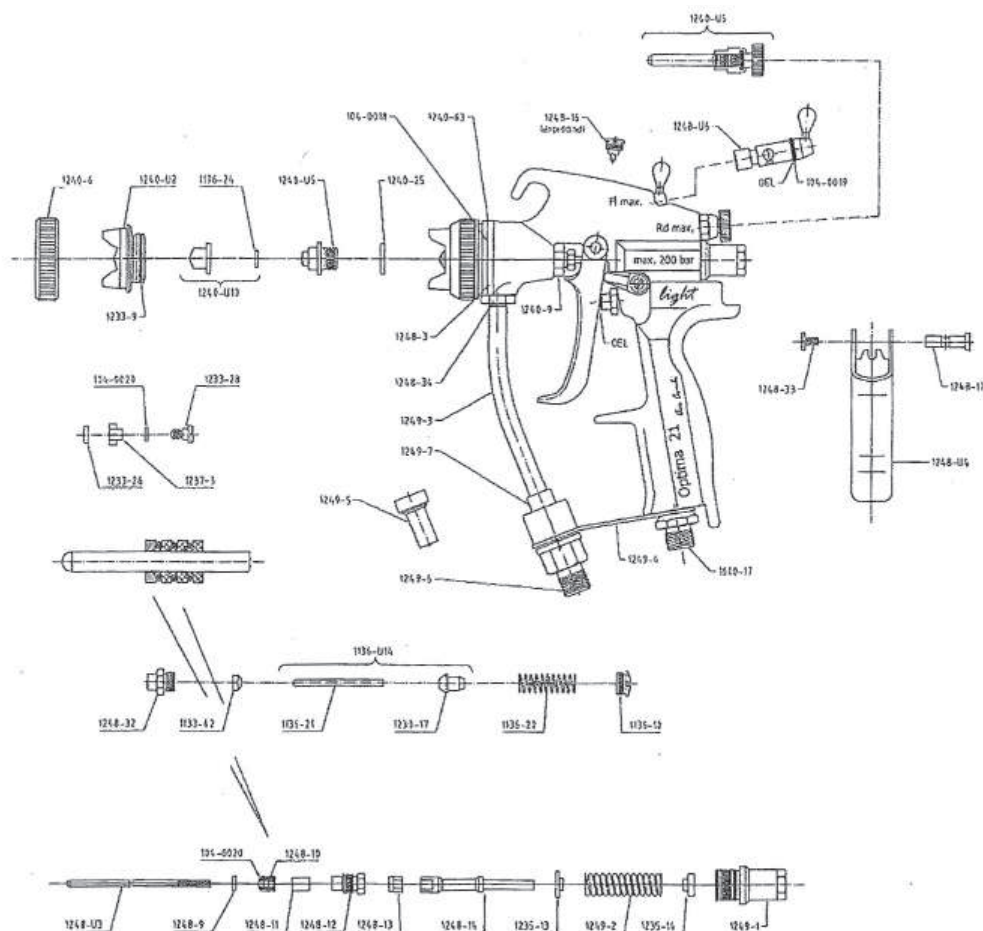
OPTIMA 2000



CODE	DESCRIPTION	PRICE
OPTGXXX	ferrule	
OPTCXXX	air nozzle	
102003	Seal air nozzle	
1196-24	Seal nozzle mix	
OPTXXX	Nozzle mix 1240-U10	
1240-U4	nozzle	
1240-25	Seal nozzle	
104-0018	Viton O-ring 3.5 x 1	
104-0019	Viton O-ring 7 x 1	
1240-22	Valve cap range	
1240-U21	Air adjustment range cpl.	
1240-U5	Air Valve range	
1133-32	Screw the trigger	
1240-61	trigger Stud	
1236-U4	trigger	
1242-3	Fluid connection M 1/4 "	
1240-9	Nut block material	
1233-26	washer	
1237-3	security	
1233-28	Screw safety	
1133-U11	Swivel air fitting M 1/4 "	

CODE	DESCRIPTION	PRICE
1134-4	Screw air valve packing	
1133-42	Gland Air Valve	
1240-31	Valve pin air	
1230-17	air Valve	
1136-20	Air valve spring	
1136-10	Air valve cap	
1230-U4	rod complete	
1240-16	spacer	
1233-24	Viton O-ring 4 x 1.2	
1233-8	needle packing	
1240-13	long spacer	
1233-6	Screw rod seals	
1233-12	rod nut	
1235-2	mounting rod	
1235-13	Spring seat fore front	
1235-11	needle spring	
1235-14	Spring Seat Rear rod	
1236-7	Adjusting rod	
1240-7	locking rod	
1236-5	Adjusting rod	

OPTIMA 21 LIGHT

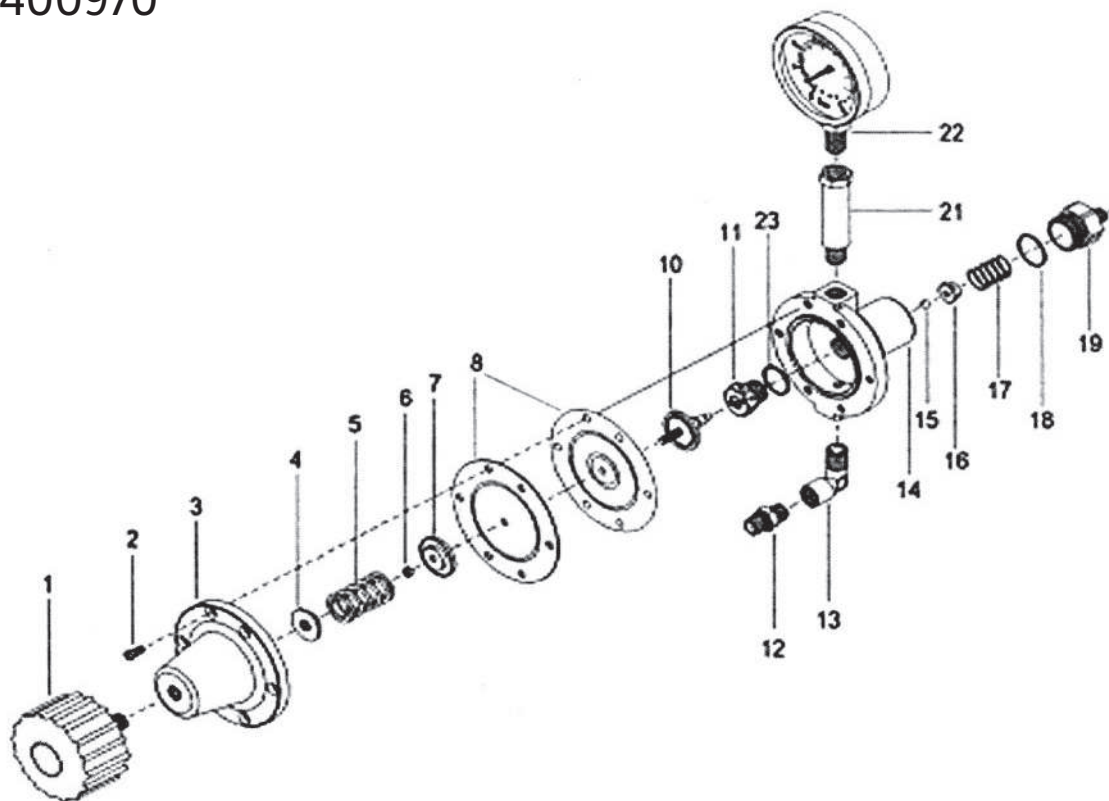


CODE	DESCRIPTION	PRICE
000104-0018	3.5 x 1.0 O-ring Viton	
000104-0019	7.0 x 1.0 O-ring Viton	
000104-0020	4.0 x 1.2 O-ring Viton	
001133-42	Gland Air Valve	
001136-U14	Compressed Air Valve	
001136-10	Air valve cap	
001136-20	spring	
001136-21	Valve pin air	
001196-24	Seal nozzle mix	
001230-17	air Valve	
001233-26	washer	
001233-28	Screw safety	
001233-9	Seal air nozzle	
001235-13	Spring seat fore front	
001235-14	Spring Seat Rear rod	
001237-3	security	
001240-25	Seal nozzle	
001240-6	ferrule	
001240-63	OR of closure	
001240-9	Nut block material	
001240-U10Ø	nozzle mix	
001240-U2	air nozzle	
001240-U5	regulator range	
001240-U3	rod complete	

CODE	DESCRIPTION	PRICE
001248-U4	trigger	
001248-U5	nozzle	
001248-U6	air adjustment	
001248-3	connector	
001248-9	spacer	
001248-10	needle packing	
001248-11	long spacer	
001248-12	Screw rod	
001248-13	rod nut	
001248-14	mounting rod	
001248-16	screw	
001248-17	trigger Stud	
001248-32	Screw Air Valve	
001248-33	Screw the trigger	
001248-34	lock nut	
001249-1	locking rod	
001249-2	spring	
001249-3	hose made	
001249-4	relay	
001249-5	Tip filter	
001249-6	Fitting 1/4	
001249-7	filter holder	
001600-17	Nipple 1/4	
000345-179	repair kit	

LIQUID PRESSURE REDUCER 0-6 BAR

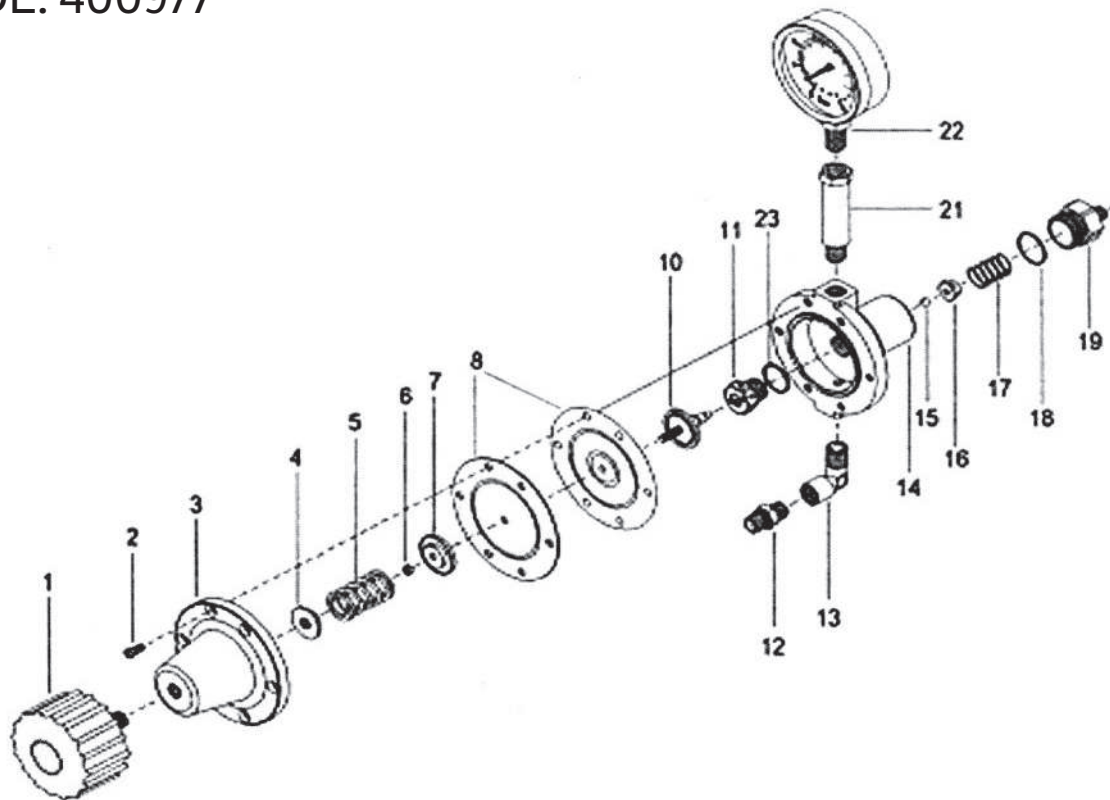
CODE: 400970



CODE	POS.	DESCRIPTION	PRICE
400851	1	Regulation knob	
400852	2	Screw 4 x 12	
400853	3	Regulation support and cover	
400854	4	Spring pusher	
400855	5	Spring regulation	
400856	6	self-locking nut M5	
400857	7	Back spring pusher	
400858	8	Double membrane	
400860	10	Shutter pin	
400861	11	Shutter seat	
46100	12	Nipple 1/4" x 1/4"	
50400	13	L-fitting FM 1/4"	
400864	14	Reducer body	
490008	15	Stainless steel ball Ø 8 mm	
400866	16	Ball pusher Ø 8 mm.	
400867	17	Ball spring	
400868	18	O-ring 3075	
400869	19	Fluid inlet	
21507	21	Pressure gauge extension fitting	
400961	22	Low pressure liquid pressure gauge 6 bar	
400873	23	O-ring	

LIQUID PRESSURE REDUCER 0-50 BAR

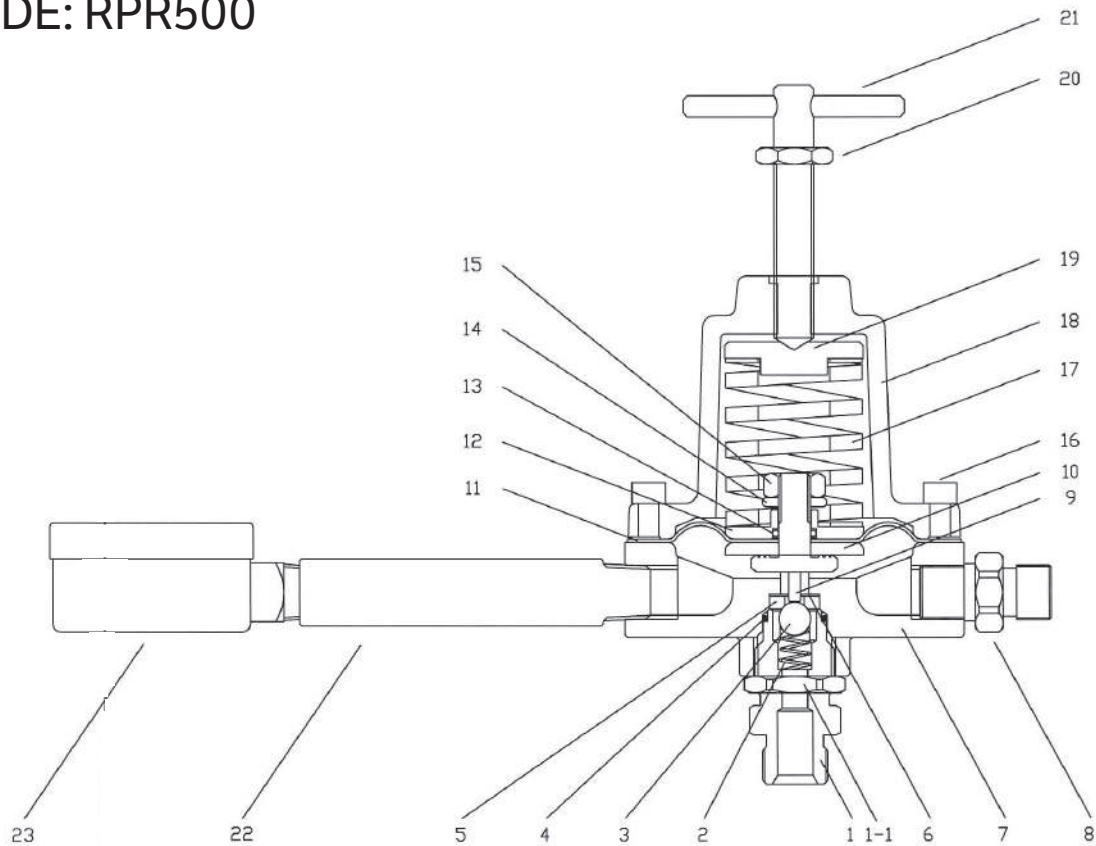
CODE: 400977



CODE	POS.	DESCRIPTION	PRICE
400851S	1	Regulation knob	
400852	2	Screw 4 x 12	
400853S	3	Regulation support and cover	
400854S	4	Spring pusher	
400855S	5	Spring regulation	
400856	6	Self-locking nut M5	
400857S	7	Back spring pusher	
400858S	8	Double membrane	
400860S	10	Shutter pin	
400861S	11	Shutter seat	
161414	12	Stainless steel nipple 1/4" x 1/4"	
50400	13	L-fitting FM 1/4"	
400864S	14	Reducer body	
490008	15	Stainless steel ball Ø 8 mm	
400866S	16	Ball pusher Ø 8 mm.	
400867S	17	Ball spring	
400868S	18	O-ring 3075	
400869S	19	Fluid inlet	
21507	21	Pressure gauge extension fitting	
M060D65R14P	22	Liquid pressure gauge 0-60 bar	
400873S	23	O-ring	

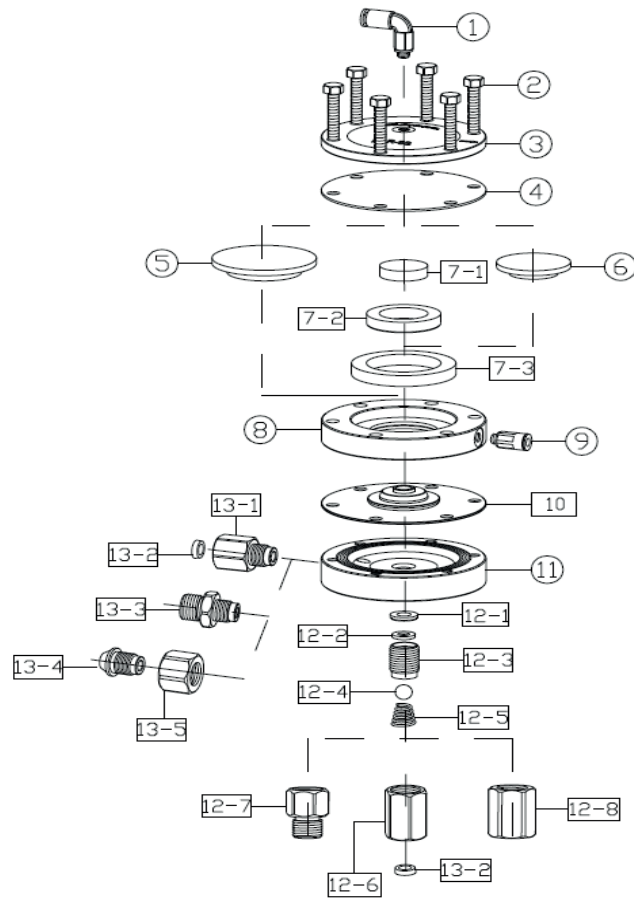
LIQUID PRESSURE REDUCER 0-6 BAR RP

CODE: RPR500



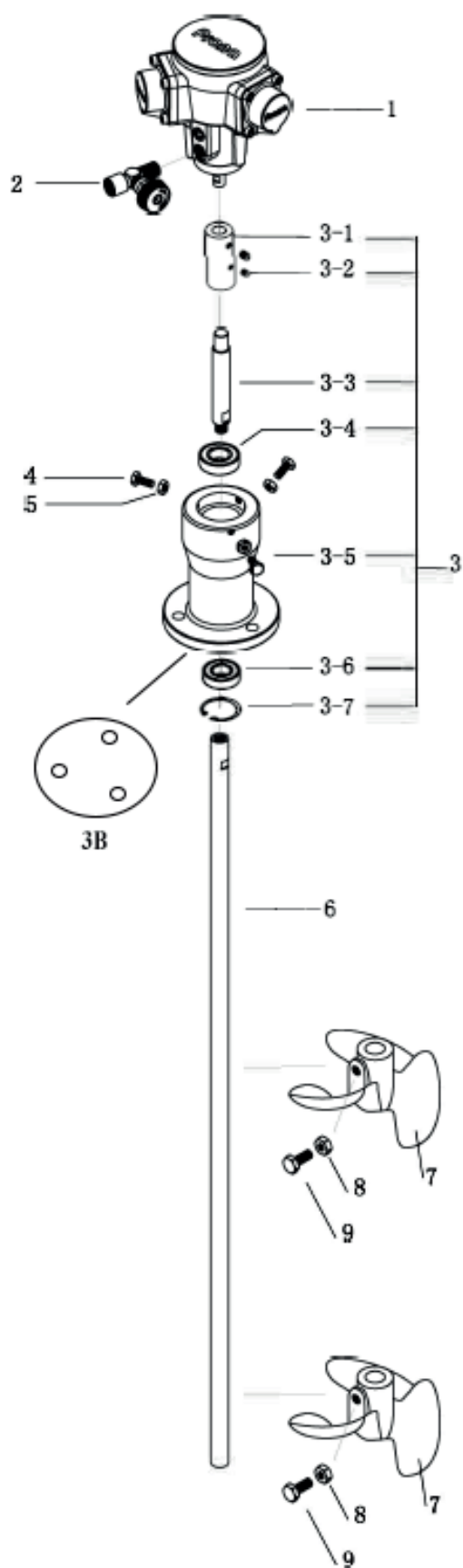
CODE	POS.	DESCRIPTION	PRICE
RP5001	1	Fluid inlet 3/8"	
RP5101	1-1	Nut	
RP5002	2	Spring	
490008	3	Stainless steel ball \varnothing 8 mm	
RP5004	4	Gasket	
RP5005	5	Ball seat	
RP5006	6	Support gasket	
RP5007	7	Reducer body	
RP5008	8	Fluid outlet 1/4"	
RP5009	9	Pin	
RP5010	10	Seat	
RP5011	11	Membrane	
RP5012	12	Spring gasket	
RP5013	13	O-ring	
RP5014	14	Spring support	
RP5015	15	Nut	
RP5016	16	Hexagonal screw	
RP5017	17	Spring	
RP5018	18	Regulator cover	
RP5019	19	Spring seat	
RP5020	20	Nut	
RP5021	21	Regulation knob	
RP5022	22	Pressure gauge extension fitting	
RP5023	23	Liquid pressure gauge 0-6 bar	
RP5024	24	Gasket	

PRESSURE REDUCER RPR-6S



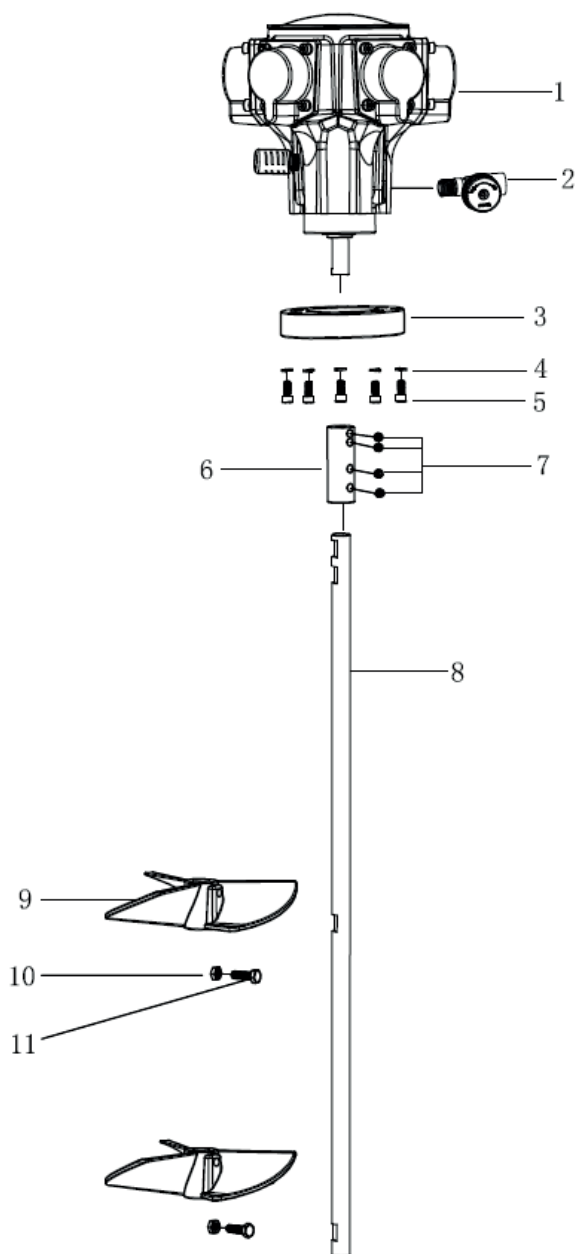
CODE	POS.	DESCRIPTION	PRICE
RP6001	1	Air inlet $\varnothing 6\text{mm}$	
RP6002	2	Hexagon screw	
RP6003	3	Cover	
RP6004	4	Air diaphragm	
RP6005	5	Disc R1	
RP6006	6	Disc R2	
RP6071	7-1	Disc R4	
RP6072	7-2	Washer R4	
RP6073	7-3	Washer	
RP6008	8	Regulator body	
RP6009	9	Air inlet	
RP6010	10	Fluid membrane	
RP6011	11	Regulator base	
RP6121	12-1	Copper washer	
RP6122	12-2	Gasket	
RP6123	12-3	Fluid connector A1	
RP6124	12-4	Steel ball	
RP6125	12-5	Spring	
RP6126	12-6	Fluid inlet A2 F 1/4"	
RP6127	12-7	Fluid inlet A2 M 1/4"	
RP6128	12-8	Fluid inlet A2 F 3/8"	
RP6131	13-1	Fluid outlet B F 1/4"	
RP6132	13-2	Gasket	
RP6133	13-3	Fluid outlet M 3/8"	
RP6134	13-4	Fluid outlet F 3/8"	
RP6135	13-5	Fluid outlet screw 3/8"	

AGITATOR RB-FA



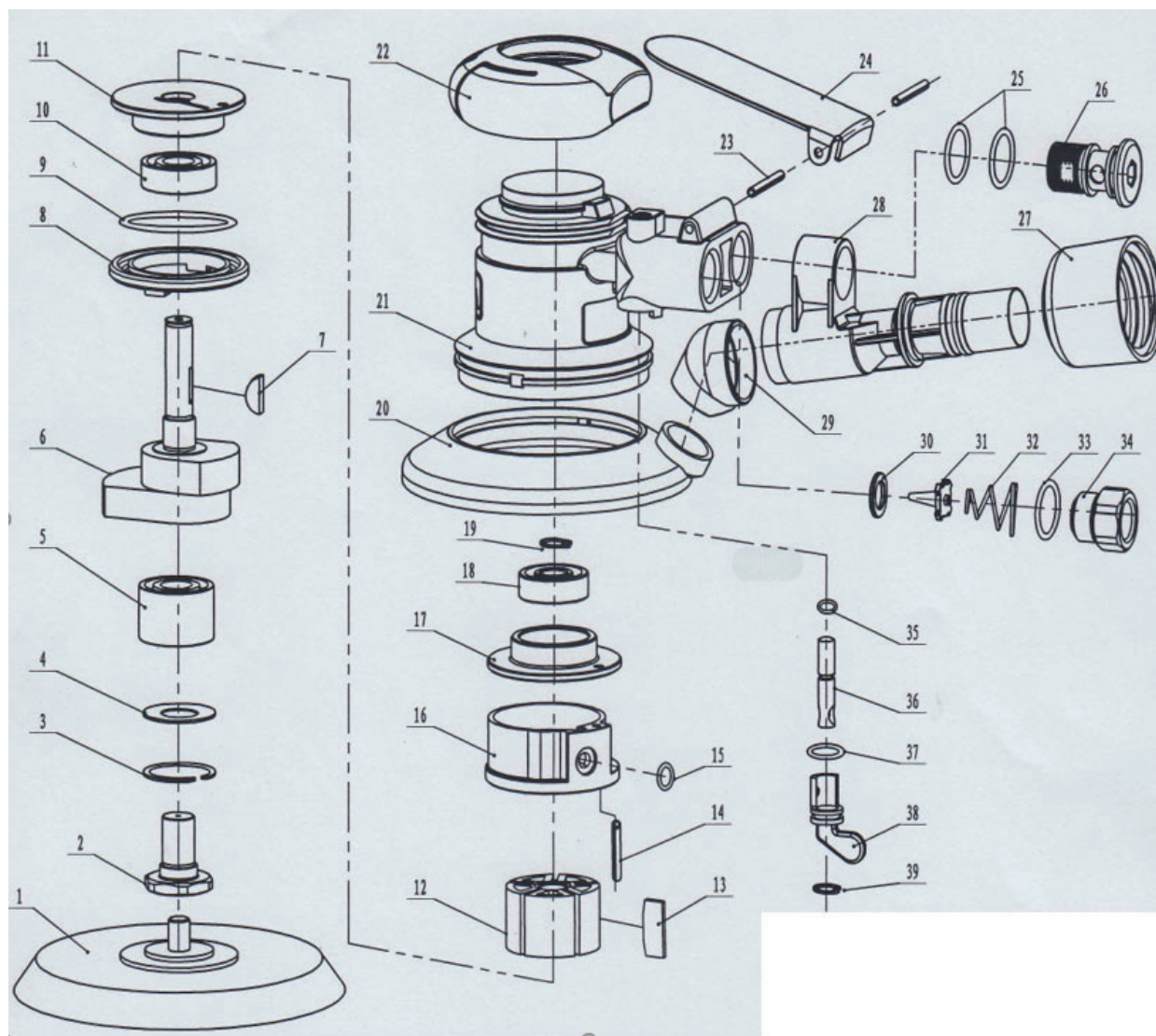
CODE	POS.	DESCRIPTION	PRICE
RBFAR01	1	Air motor M30	
RBFAR02	2	Air needle valve 1/4"	
RBFAR03	3	Air motor support flange	
RBFAR31	3-1	Motor connection	
RBFAR32	3-2	Connector screw	
RBFAR33	3-3	Motor rod	
RBFAR34	3-4	Gasket 6202	
RBFAR35	3-5	Motor seat	
RBFAR36	3-6	Gasket 6002Z	
RBFAR37	3-7	C-Ring	
RBFAR3B	3B*	Rubber spacer	
RBFAR04	4	Hexagon screw	
RBFAR05	5	Hexagon screw	
RBFAR06	6	Agitator rod	
FA105I	7	Stainless steel propeller complete with locking screw \varnothing 120 mm	
FA107I	7	Stainless steel propeller complete with locking screw \varnothing 165 mm	
FA106N	7	Nylon propeller complete with locking screw \varnothing 100 mm	
RBFAR08	8	Hexagon nut	
RBFAR09	9	Hexagon screw	

AGITATOR RB-40A



CODE	POS.	DESCRIPTION	PRICE
RB4001	1	Air motor M40	
RBFAR02	2	Air needle valve 1/4"	
RB4003	3	Flange	
RB4004	4	Washer M5	
RB4005	5	Screw M5x18	
RB4006	6	Motor connector	
RB4007	7	Locking screw	
RBFAR06	8	Agitator rod	
FA105I	9	Stainless steel propeller complete with locking screw \varnothing 120 mm	
FA107I	9	Stainless steel propeller complete with locking screw \varnothing 165 mm	
FA106N	9	Nylon propeller complete with locking screw \varnothing 100 mm	
RBFAR08	10	Hexagon nut	
RBFAR09	11	Hexagon screw	

ORBITAL SANDER RP-51



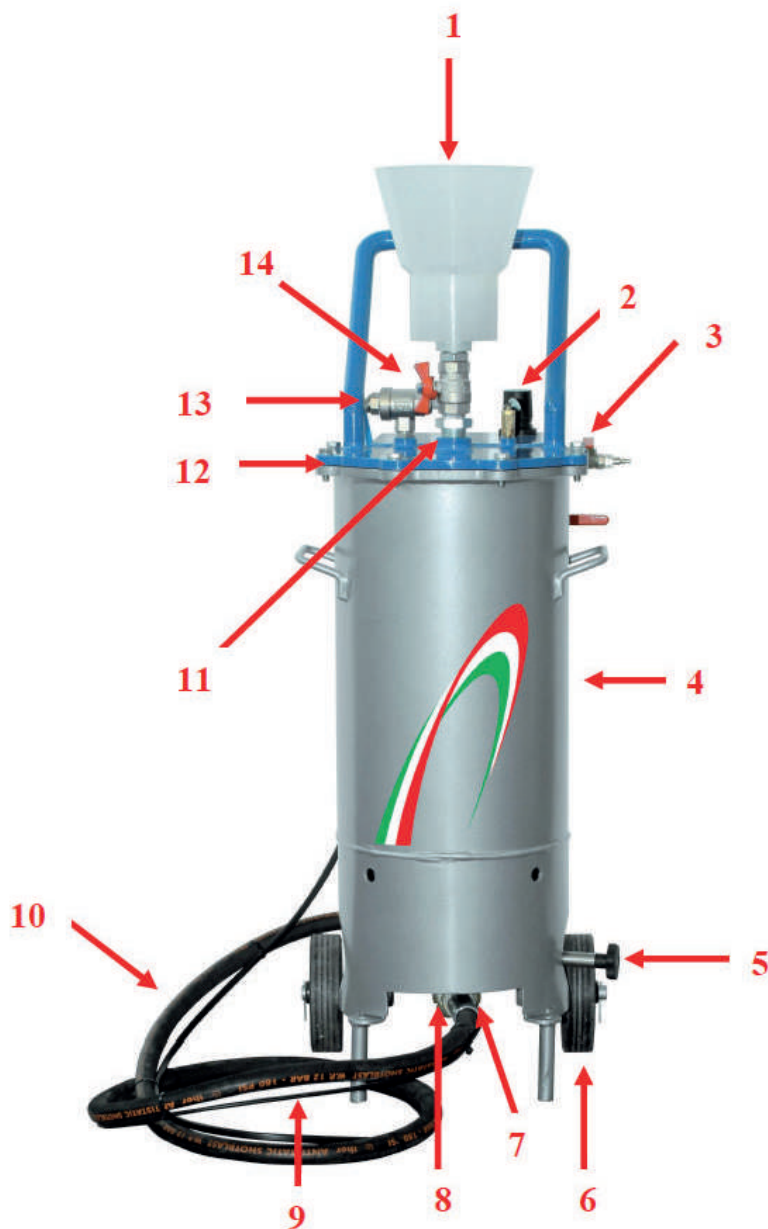
CODE	POS.	DESCRIPTION	PRICE
R51R125	1	Sanding pad \varnothing 125mm	
R51R150	1	Sanding pad \varnothing 150mm	
R51R02	2	Main shaft	
R51R03	3	C-ring	
R51R04	4	Washer	
R51R05	5	Bearing	
R51R06	6	Drive shaft	
R51R07	7	Woodruff key	
R51R08	8	Lock ring	
R51R09	9	O-ring	
R51R10	10	Bearing	
R51R11	11	Front cover	
R51R12	12	Rotor	
R51R13	13	Rotor blade	
R51R14	14	Pin 3*28	
R51R15	15	O-ring	
R51R16	16	Cylinder	
R51R17	17	Back cover	
R51R18	18	Bearing	
R51R19	19	Locking ring	

CODE	POS.	DESCRIPTION	PRICE
R51R20	20	Protective shield	
R51R22	22	Housing	
R51R23	23	Pin 3*20	
R51R24	24	Trigger	
R51R25	25	O-ring	
R51R26	26	Vacuuming joint	
R51R27	27	Locked pipe	
R51R28	28	Vacuuming straight pipe	
R51R29	29	Bend pipe	
R51R30	30	Gasket	
R51R31	31	Pin	
R51R32	32	Spring	
R51R33	33	O-ring	
R51R34	34	Air inlet connection	
R51R35	35	O-ring	
R51R36	36	Switch pole	
R51R37	37	O-ring	
R51R38	38	Air regulator	
R51R39	39	Locking ring	

PUMPS EXLODED VIEW

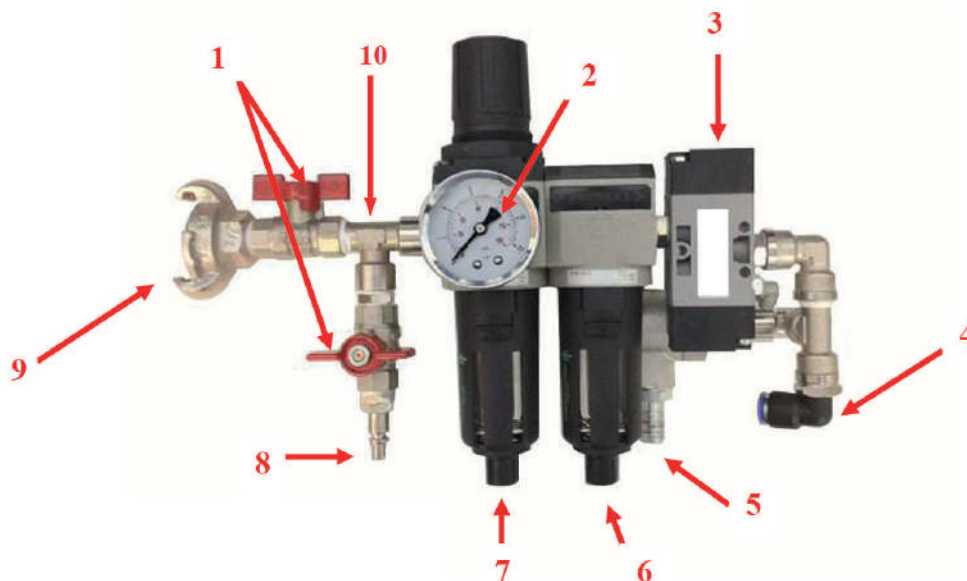
AIR MOTOR 45:1 / 63:1.....	375	VAPA31U.....	386
AIR MOTOR 56:1 / 73:1.....	381	VAPA40UO.....	387
AIR MOTOR 68:1.....	378	VAPA40UO.....	387
AIR MOTOR EXCHANGE VTN/S.....	370	VAPA50U.....	388
AIR MOTOR VTN/S.....	371	VS 2B.....	391
AIR MOTOR WIN 281 - PRO 301 FE....	373	VS 10.000.....	349
AT 2EPR - AT2ESS - AT2ASS.....	398	VS 13 - 27.....	345
AT5ESS - AT5ASS.....	399	VS 13 - 27.....	346
AT 10 - 20 - 40 - 60 - 80 A.....	402	VS 24 - OUT OF PRODUCTION.....	395
AT 10 - 20 - 40 - 60 - 80 E.....	400	VS 25.....	389
AT 10 - 20 - 40 - 60 - 80 M.....	401	VS 25 INOX.....	390
AT 10 - 20 - 40 - 60 EFG.....	403	VS 28 3:1.....	392
AT 10 - 20 - 40 A INOX.....	406	VS 36I.....	393
AT 10 - 20 - 40 M INOX.....	405	VS 410.....	354 - 355
AT 10 - 20 - 50 E INOX.....	404	VS 610.....	356 - 357
ECO 401 P / TS / TSR.....	366	VS 1110.....	358 - 359
HSS 9000 - HSS 11000.....	410	VS 1510.....	360 - 361
HSS 9950.....	353	VS 4500.....	347
JAFE 10 - 30.....	411	VS 6000.....	348
LINE 6500.....	362	VS K1.....	394
LINE 6500.....	363	VTN 321.....	368
LP 400 - LP 500.....	407	VTN 401.....	367
LP 600 - LP 700.....	408	VTP 010 / VTS 201.....	365
MP 455 / LP 555 / LP 655.....	350	VTS 301.....	369
OTS ELECTROSTATIC GUN.....	382		
OTS ELECTROSTATIC GUN.....	383		
PUMP 45:1 / 63:1 STEEL.....	376		
PUMP 45:1 S. STEEL.....	377		
PUMP 56:1 / 73:1 STEEL.....	380		
PUMP 68:1 S. STEEL.....	379		
PUMPING 5:1 FE.....	372		
PUMPING 28:1.....	374		
SL 800 - SL 1100.....	409		
SL 1250.....	351		
TS 1750.....	352		
TURBINE HOLLOBLAST.....	397		
TURBINE TUBOBLAST.....	396		
ULTRAMAX HH.....	364		
VAPA15U - VS 36.....	384		
VAPA20U - VS 50.....	385		
VAPA31U.....	386		

VS 13 - 27

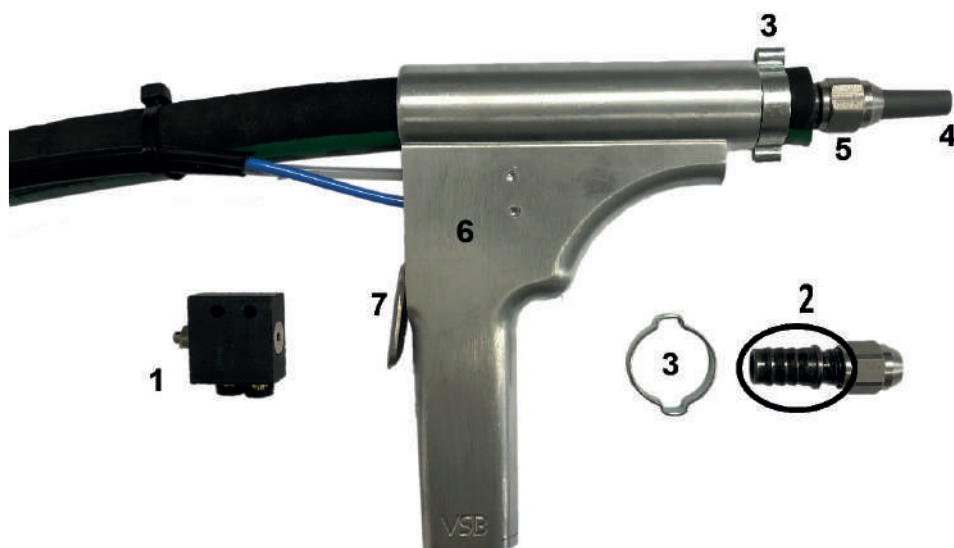


CODE	POS.	DESCRIPTION	PRICE
MIN13	1	Abrasive load tank 3 lt	
MIN14	2	Air regulation set complete	
MIN15	3	Tank cover	
MIN16	4	Sanblaster body	-
MIN17	5	Abrasive regulation set	
212472	6	Wheel	
410105	7	Nozzle holder threaded M 1" for hose øe 25	
400024	8	Express fitting F 1"	
884242	9	Double hose 2x4 per meter (standard 5mt)	
360025	10	Rubber abrasive hose ø 13x25 per meter	
151010	11	Nipple HA 1" x 1" for loading valve	
MIN24	12	Cover o-ring	
MIN25	13	Three-way pneumatic valve 1/2"	
MIN26	14	Loading valve with lever FF 1"	
MIN03	15	5-way air exchange valve	

VS 13 - 27



CODE	POS.	DESCRIPTION	PRICE
383338	1	Ball valve with butterfly knob low pressure FF 1/4"	
212484	2	Air pressure gauge 0-12 bar with back fitting 1/8"	
MIN03	3	5-way air exchange valve	
119138	4	Automatic fitting for hose 8x10 M 3/8" 90°	
MIN05	5	Hose connector M1/2" for hose ø13	
MIN06	6	Air filter separator	
MIN07	7	Air filter regulator	
40070	8	Quick connection M 1/4"	
400016	9	Express fitting M 3/8"	

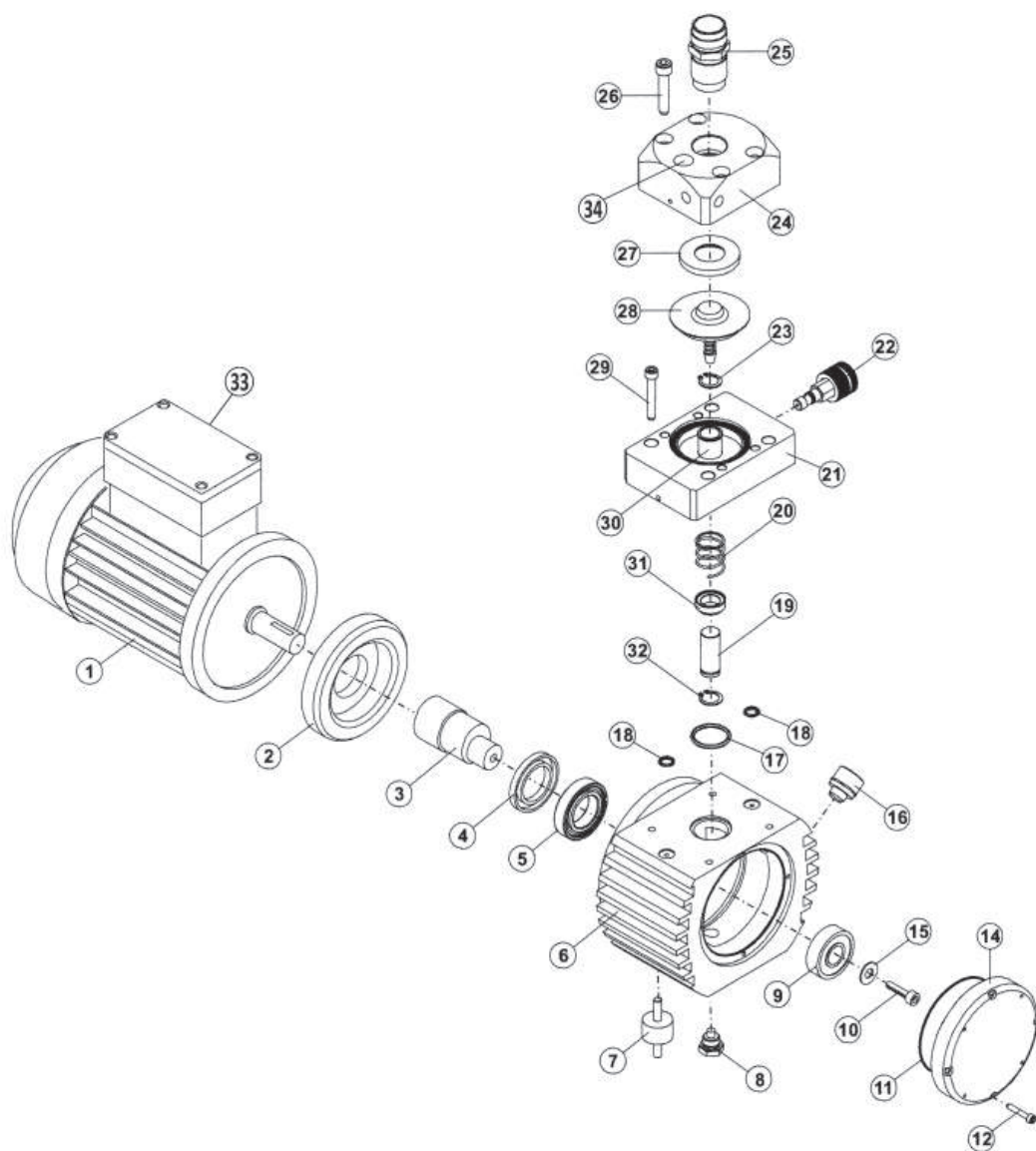


Gun complete with nozzle for
mini sandblasters VS 13 / 27
CODE: PIVS13
PRICE:

Gun without nozzle for mini
sandblasters VS 13 / 27
CODE: PIVS27
PRICE:

CODE	POS.	DESCRIPTION	PRICE
3615	1	Microflow pin valve	
MIN37	2	Cemented nozzle holder	
MIN29	3	Hose clamp	
520244	4	Cylindrical nozzle ø 3.5 mm (See p. 144 for all sizes)	
MIN31	5	Nozzle locking ring	
MIN32	6	Gun body complete with hose guard	
MIN33	7	Trigger	

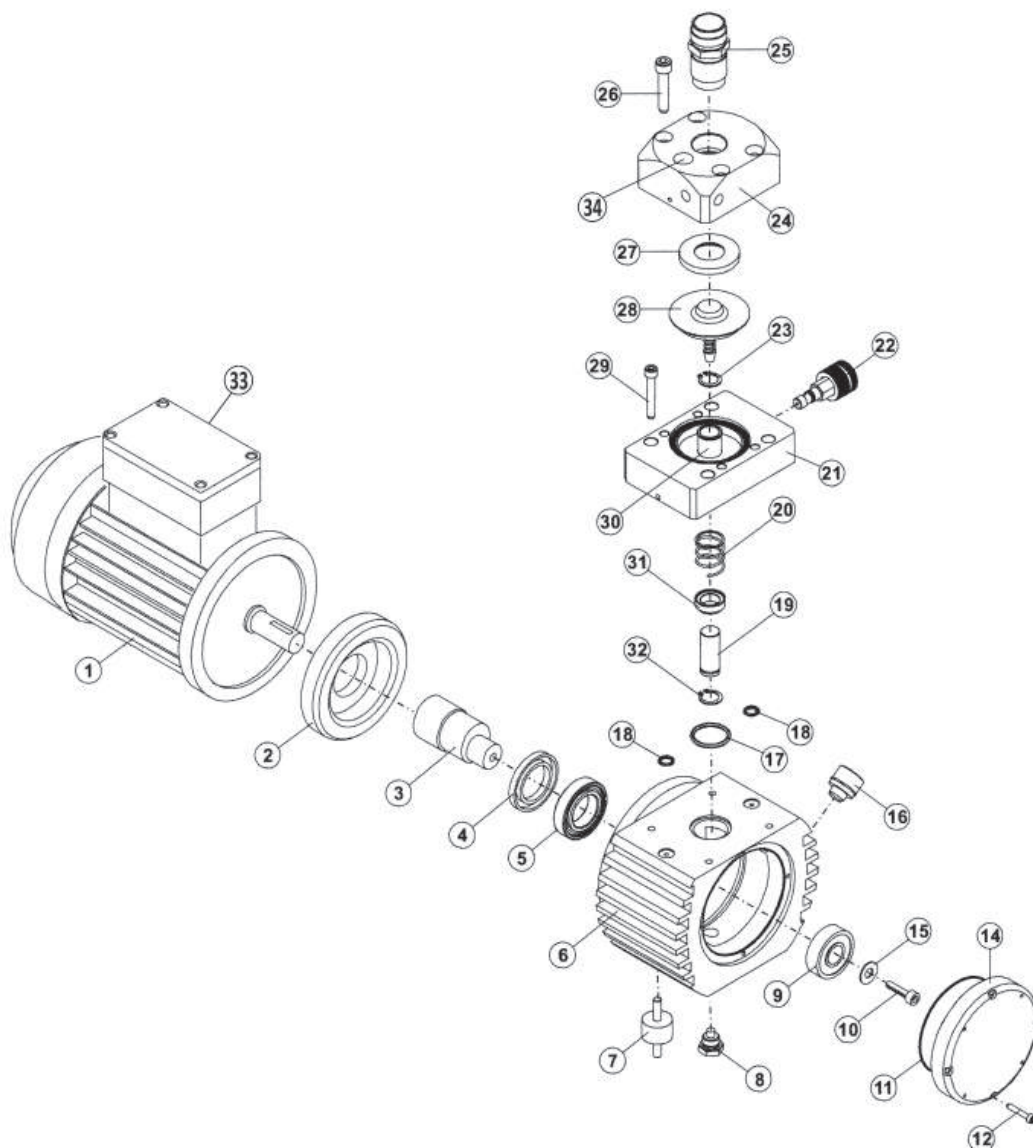
VS 4500



POS.	CODE	DESCRIPTION	PRICE
1	4501	Motor	
2	4502	Support	
3	4503	Shaft	
4	4504	Oil seal	
5	4505	Bearing	
6	4506	Pump body	
7	10007	Vibration damp	
8	10008	Cap	
9	4509	Bearing	
10	VTBR830	Screw	
11	4511	O-ring	
12	VTBR630	Screw	
14	4514	Cover	
15	RD8	Washer	
16	10018	Oil cap	
17	4517	Oring	
18	4518	Oring	
19	4519	Piston	

POS.	CODE	DESCRIPTION	PRICE
20	4520	Spring	
21	4521	Flange	
22	400005	Pressure regulating valve	
23	4523	Seeger	
24	4524	Head	
25	400080	Suction valve	
26	VTBR1050	Nut	
27	050353	Spacer	
28	040300	Membrane	
29	VTBR1040	Nut	
30	4530	Sleeve	
31	4531	Spring guide	
32	4532	Seeger	
33	10033	Electric box	
34	400004	Compression valve	
	4534	Motor protection	
	4535	Capacitor	

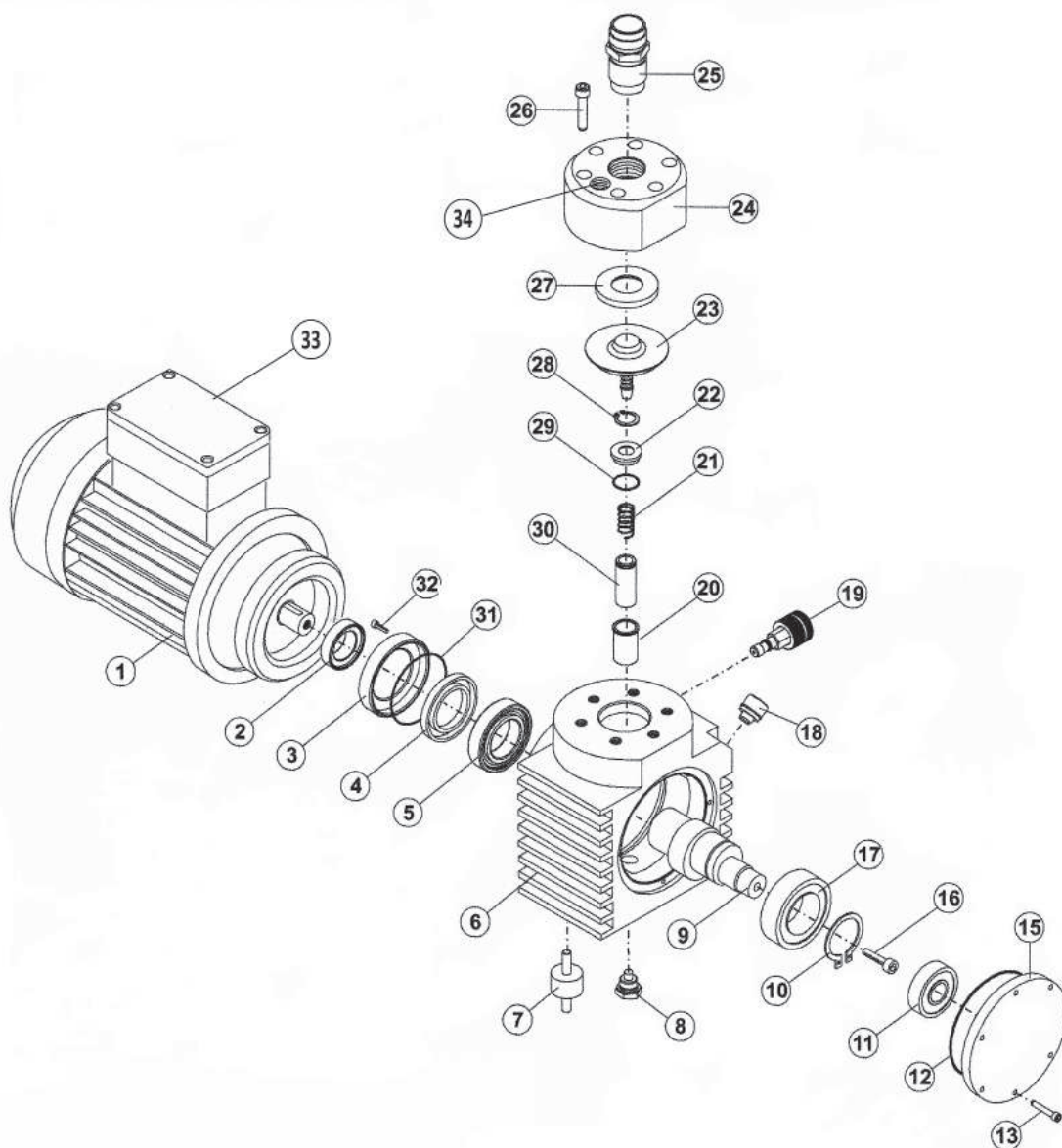
VS 6000



POS.	CODE	DESCRIPTION	PRICE
1	4501-1	Motor	
2	4502	Support	
3	4503	Shaft	
4	4504	Oil seal	
5	4505	Bearing	
6	4506	Pump body	
7	10007	Vibration damp	
8	10008	Cap	
9	4509	Bearing	
10	VTBR830	Screw	
11	4511	O-ring	
12	VTBR630	Screw	
14	4514	Cover	
15	RD8	Washer	
16	10018	Oil cap	
17	4517	Oring	
18	4518	Oring	
19	4519	Piston	

POS.	CODE	DESCRIPTION	PRICE
20	4520	Spring	
21	4521	Flange	
22	400005	Pressure regulating valve	
23	4523	Seeger	
24	4524	Head	
25	400080	Suction valve	
26	VTBR1050	Nut	
27	050353	Spacer	
28	040300	Membrane	
29	VTBR1040	Nut	
30	4530	Sleeve	
31	4531	Spring guide	
32	4532	Seeger	
33	10033	Electric box	
34	400004	Compression valve	
	4534	Motor protection	
	4535	Capacitor	

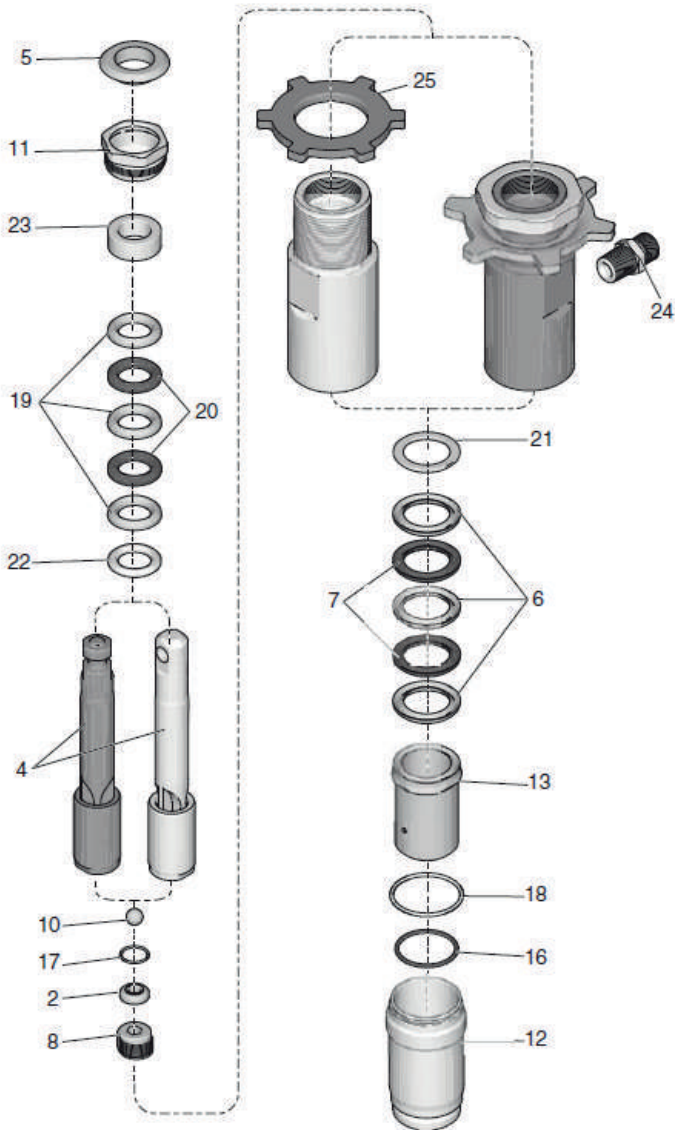
VS 10.000



POS.	CODE	DESCRIPTION	PRICE
1	10001	Motor	
2	10002	Bushing	
3	10003	Oil seal flange	
4	10004	Oil seal	
5	10005	Bearing	
6	10006	Hydraulic body	
7	10007	Vibration damp	
8	10008	Cap	
9	10009	Shaft	
10	10010	Seeger	
11	10011	Bearing	
12	10012	Oring	
13	VTBR620	Nut	
15	10015	Flange	
16	VTBR880	Screw	
17	10017	Bearing	
18	10018	Oil cap	
19	400005	Pressure regulating valve	

POS.	CODE	DESCRIPTION	PRICE
20	10020	Sleeve	
21	10021	Spring	
22	10022	Spring guide	
23	041000	Membrane	
24	10024S	Veritcal head	
25	400080	Suction valve	
26	VTBR1050	Nut	
27	050017	Spacer	
28	10028	Seeger	
29	10029	Oring	
30	10030	Piston	
31	10031	Oring	
32	VTBR520	Screw	
33	10033	Electric box	
34	400004	Compression valve	
	10034	Motor protection	
	10035	Capacitor	

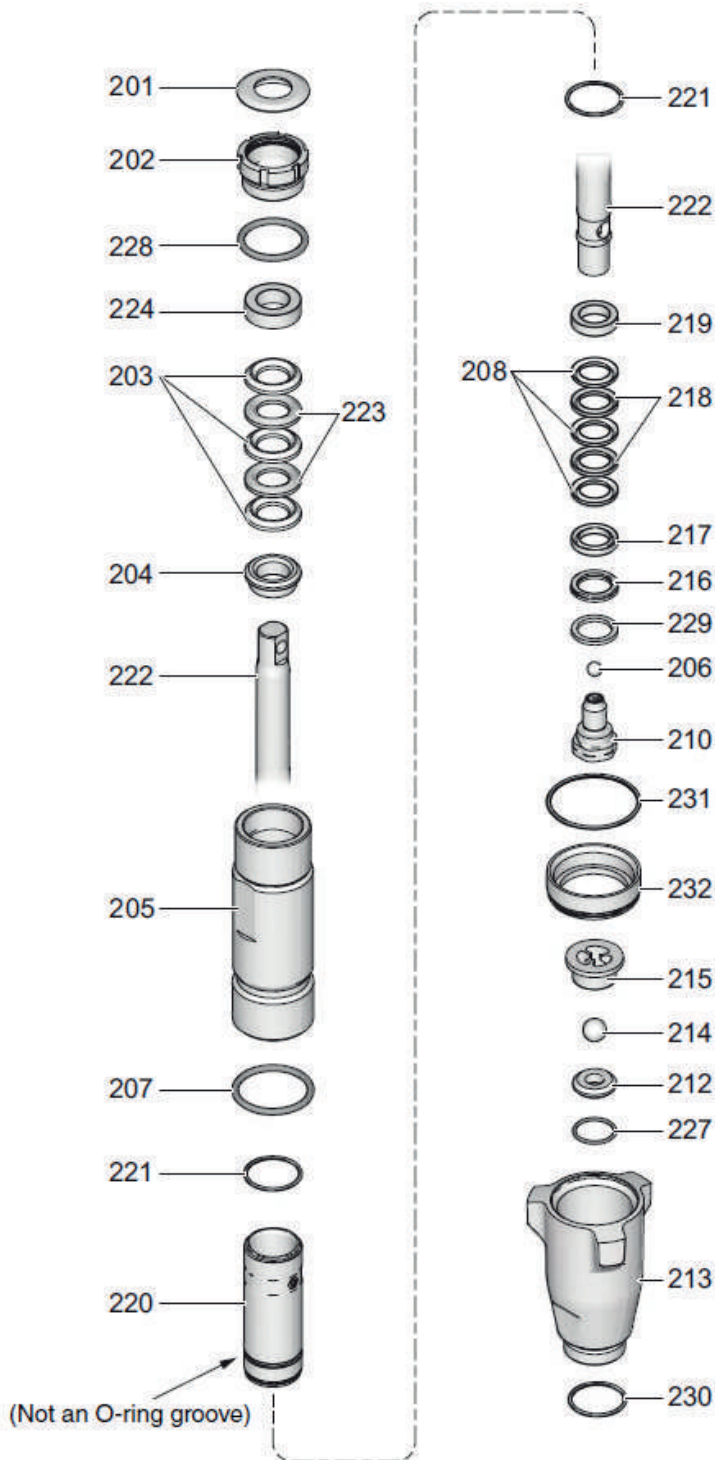
MP 455 / LP 555 / LP 655



CODE	POS.	DESCRIPTION	PRICE
G17J183	2	Seat top piston	
-	4	Piston (included in the set)	
G180656	5	Plug	
G17J184	6	V-Packing	
G17J185	7	Leather V-Packing	
G17J179	8	Plug	
G105444	10	Ball	
G17J181	11	Nut	
G17N465	12	Valve	
G17P097	13	Seat kit (included 16 and 18)	
G108730	16	O-ring	
G17J187	17	Piston o-ring	
G17S053	18	O-ring PTFE	
G125724	19	V-Packing	
G176755	20	V-Packing	
G17J188	21	Gland male, piston, lower	
G176754	22	Gland male, throat, upper	
G176757	23	Gland female, throat	
G162453	24	Fitting	
G195150	25	Flange	
G17P094	-	Pump repair kit MP and LP (includes pos. 5-6-7-10-13-16-17-18-19-20-21-22-23)	
G17P096	-	Piston repair kit MP and LP (includes pos. 2-4-10-17)	

CODE	DESCRIPTION	PRICE
20-2806	Drain valve (Cover not included)	
14-3064	Suction filter 3/4" 16 UNF	
14-267X	Manifold filter short for models LP 555 - 655	
16X295	Control board MP 455	
246380	Control board LP 555	
24X751	Control board LP 655	
243222	Transducer LP 555 / 655	

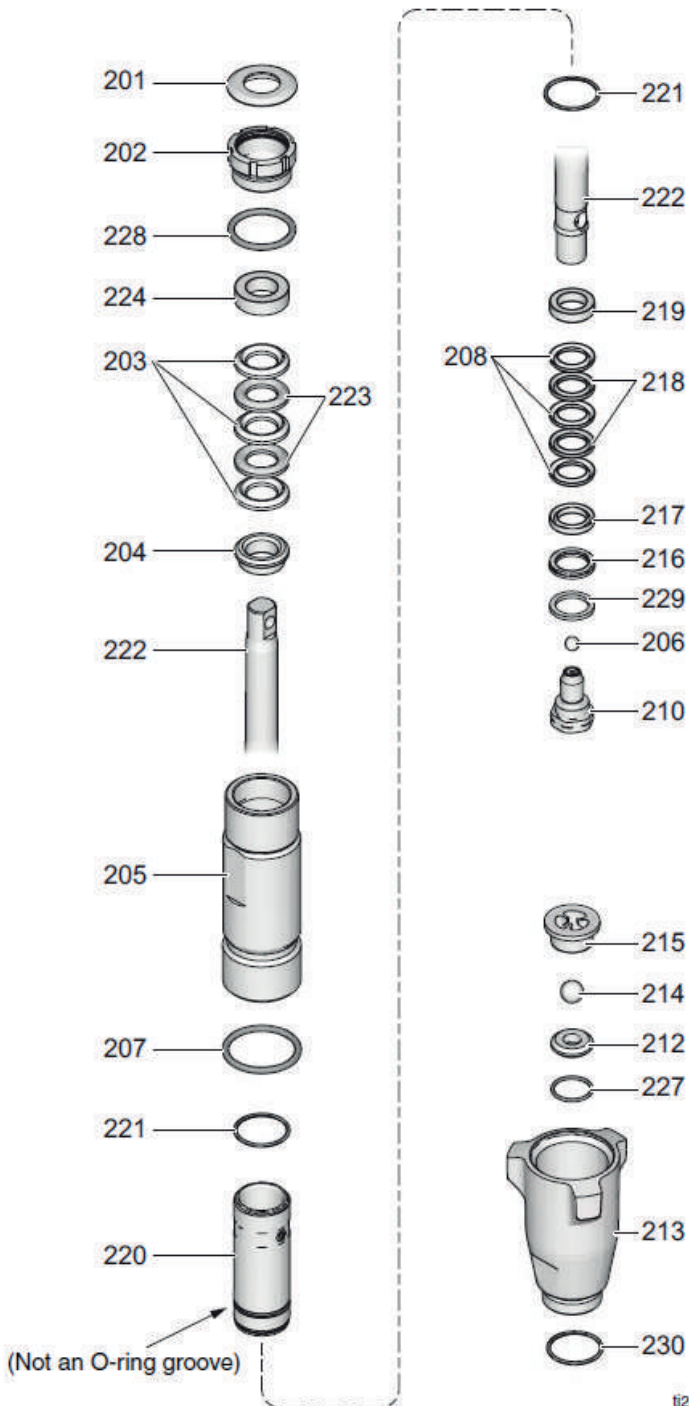
SL 1250



CODE	POS.	DESCRIPTION	PRICE
G179810	201	Seat top piston	
G193046	202	Plug	
G192692	203	V-Packing	
G15C987	204	Guide	
G17A030	205	Cylinder	
G105444	206	Ball	
G156593	207	Seal	
G192693	208	V-Packing	
G287877	210	Piston valve	
G239922	212	Seat kit (includes 214-215-227)	
G15C785	213	Intake valve (foot)	
G105445	214	Ball	
G192624	215	Ball cage	
G118503	216	Sealing ring	
G178969	217	Piston gland F	
G178939	218	V-Packing	
G196880	219	Piston gland M	
G248209	220	Sleeve	
G108526	221	O-ring PTFE	
G248206	222	Piston rod	
G178940	223	V-Packing	
G15C988	224	Gland	
G107079	227	O-ring PTFE	
G158776	228	O-ring	
G15C997	229	Washer	
G118494	230	O-ring fluoroelastomer	
G248212	-	Pump repair kit SL 1250 (includes pos. 201-203-204- 207-208-216-217-218-219- 221-223-224-228-229-230)	

CODE	DESCRIPTION	PRICE
20-2324	Drain valve (Cover not included)	
14-2179	Suction filter 1" NTP 8 Mesh	
14-267X	Manifold filter short	
15B071	Manifold filter base	
24P848	Control board SL1250	
243222	Transducer	

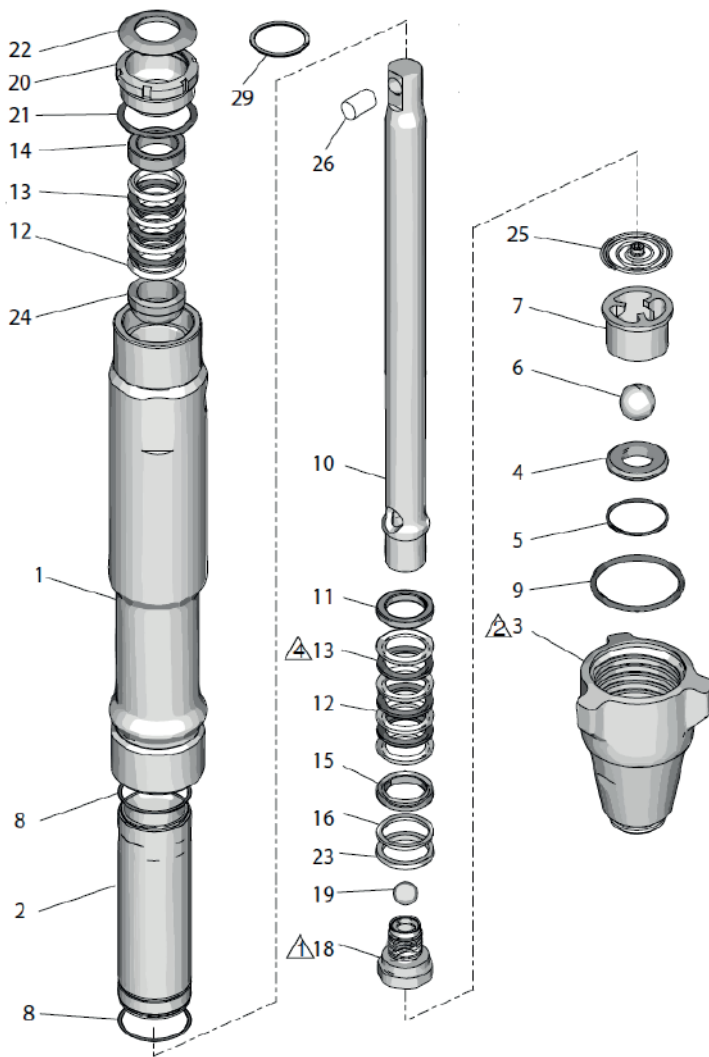
TS 1750



ti23114

CODE	POS.	DESCRIPTION	PRICE
G1873171	201	Seat top piston	
G193032	202	Plug	
G193124	203	V-Packing	
G15C989	204	Piston guide	
G196754	205	Cylinder	
G116327	206	Ball	
G156633	207	Gasket	
G193125	208	V-Packing	
G240150	210	Piston valve	
G244571	212	Seat kit (includes 214-215-227)	
G196753	213	Intake valve (foot)	
G111453	214	Ball	
G196967	215	Ball cage	
G118504	216	Wiper, piston	
G183185	217	Piston gland M	
G15E329	218	V-Packing	
G183178	219	Gland packing M	
G248210	220	Sleeve	
G107098	221	O-ring PTFE	
G249028	222	Piston rod	
G183175	223	V-Packing	
G15C990	224	Gland female throat	
G108526	227	O-ring PTFE	
G20C987	228	O-ring	
G15C998	229	Washer backup	
	231	Nipple	
	232	Adapter 3/8 npt x 3/8 npsm	
G249189	-	Pump repair kit TS 1750 (includes pos. 201-203-204- 207-208-216-217-218-219- 221-223-224-228-229)	
CODE	DESCRIPTION	PRICE	
29-3160	Drain valve (Cover not included)		
14-2179	Suction filter 1" NTP 8 Mesh		
14-269X	Manifold filter long		
15C766	Manifold filter base		
24P848	Control board TS 1750		
243222	Transducer		

HSS 9950



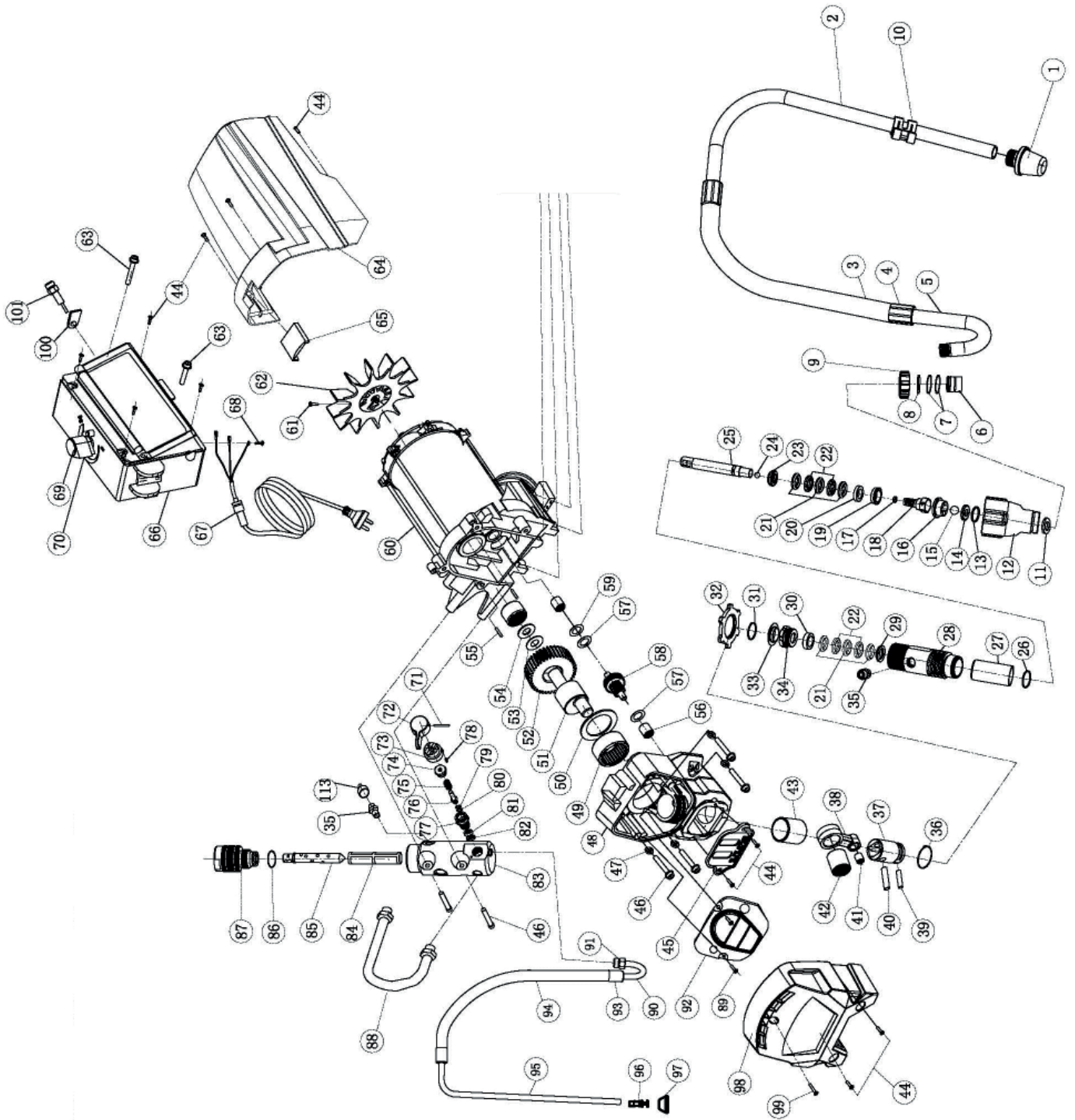
CODE	POS.	DESCRIPTION	PRICE
G17D124	1	Cylinder	
D248980	2	Sleeve	
D15A303	3	Intake valve (foot)	
G15J038	4	Ball seat	
G107098	5	O-ring	
G118602	6	Ball	
G193391	7	Ball cage	
G108822	8	O-ring PTFE	
G160325	9	O-ring	
G17D121	10	Piston rod	
G189585	11	Piston gland M	
G198701	12	V-Packing	
G198718	13	V-Packing	
G15G657	14	Gland packing F	
G198765	15	Piston gland F	
G119636	16	Washer	
G249177	18	Piston valve	
G118601	19	Ball	
G15J792	20	Nut	
G157195	21	O-ring	
G112590	22	Seat top piston	
G15F183	23	Washer	
G15G658	24	Gland packing M	
G24E027	25	Spring	
G197443	26	Wedge	
G116551	29	Ring	
G24N012	-	Pump repair kit HSS 9950 (includes pos. 5-6-8-9-11-12-13-14-15-16-19-21-22-23-24)	

CODE	DESCRIPTION	PRICE
287879	Drain valve (Cover not included)	
865719	Complete drain valve	€ 260,00
14-2179	Suction filter 1" NTP 8 Mesh	
14-269X	Manifold filter long	
15C766	Manifold filter base	

VS 410

CODE	POS.	DESCRIPTION	PRICE	CODE	POS.	DESCRIPTION	PRICE
410S001	1	Filter assembly		410S065	65	Single row radial bearing	
410S003	3	Suction tube		410S066	66	Motor stator components	
410S004	4	Locking ring		410S068	68	Carbon brush seat	
410S005	5	Suction hose		410S069	69	Carbon brush cover	
410S006	6	Return hose		410S070	70	Motor back cover seat	
410S007	7	Return hose support		410S071	71	Needle bolt	
410S008	8	Hose clamp		410S072	72	Plain washer 6	
410S009	9	Elbow		410S073	73	Locking nut M6	
410S010	10	O-Rings 19*2.65		410S074	74	Propeller	
410S011	11	Adaptor		410S075	75	Split damping ring	
410S012	12	Pump body locking nut		410S076	76	Motor back cover	
410S013	13	Gland male		410S077	77	Cross pan screw ST3.5X10	
410S014	14	Liner		410S078	78	Control circuit device	
410S015	15	Upper packing		410S079	79	Cross pan screw ST4.8X20	
410S016	16	Discharge fitting		410S080	80	Pump shell	
410S017	17	Pump cylinder		410S081	81	Power cord fixing seat	
410S018	18	Lower packing		410S082	82	Power Plug	
410S019	19	Seal gasket		410S083	83	Handle cushion	
410S020	20	Rectangular Seal Ring		410S084	84	Handle	
410S021	21	Steel ball seat		410S085	85	Handle sheath	
410S022	22	Intake valve ball		410S086	86	Heat sink	
410S023	23	Intake valve plate		410S087	87	Circuit board assembly	
410S024	24	Intake seat sealing		410S090	90	Plain washer	
410S025	25	Intake seat		410S091	91	Hexagon socket cap screws	
410S026	26	Plug		410S092	92	Conductor pipe	
410S027	27	Ball seat seal		410S093	93	O-Rings	
410S028	28	Ball seat		410S094	94	Regulator connection	
410S029	29	Steel ball		410S095	95	Washer	
410S030	30	Piston valve		410S096	96	White seal	
410S031	31	Piston		410S097	97	Locking seal	
410S032	32	Piston locking collar		410S098	98	Switch lever	
410S033	33	Connector seat		410S099	99	O-Ring, 8.8x1.9	
410S034	34	Piston rod		410S100	100	O-Ring 27x2.4	
410S035	35	Axis Guide		410S101	101	Cap	
410S036	36	Straight pin		410S102	102	Grain M3X10	
410S037	37	Straight pin		410S103	103	Deflating cap	
410S038	38	Bearing (porous oil hole)		410S104	104	Micro switch cover	
410S039	39	Stamping bearing		410S105	105	Regulation seat	
410S040	40	Flat washer		410S106	106	Micro switch seat	
410S041	41	Cross Recess Head Screw		410S107	107	Pressure spring	
410S042	42	Pump body cover		410S108	108	Spring support	
410S043	43	Dust Stop block		410S109	109	Pressure adjusting screw	
410S044	44	Bolt		410S110	110	Regulating knob	
410S045	45	Spring washer		410S111	111	Filter holder	
410S046	46	Gear support		410S112	112	Filter net	
410S047	47	Spacer		410S113	113	Filter element	
410S048	48	Axle bearing		410S114	114	O-Rings 24.3X1.8	
410S049	49	Powder metallurgy ring		410S115	115	Filter lock	
410S050	50	Shaft collar		410S116	116-127	Relief valve	
410S051	51	Gear shaft		410S128	128	Fitting	
410S052	52	Pinion		410S132	132	Pressure gauge	
410S053	53	Bent axle		410S133	133	Internal lock washer	
410S054	54	Crankshaft gear		410S134	134	Plain washer	
410S055	55	Washer		410S135	135	Spring washer	
410S056	56	Gear shaft collar		410S136	136	Screw M4X12	
410S057	57	Crank shaft collar					
410S058	58	Roller bearing				*	
410S059	59	Straight pin					
410S060	60	Motor box					
410S061	61	Wave spring washer					
410S062	62	Singlerow radial bearing					
410S063	63-64	Motor assembly					

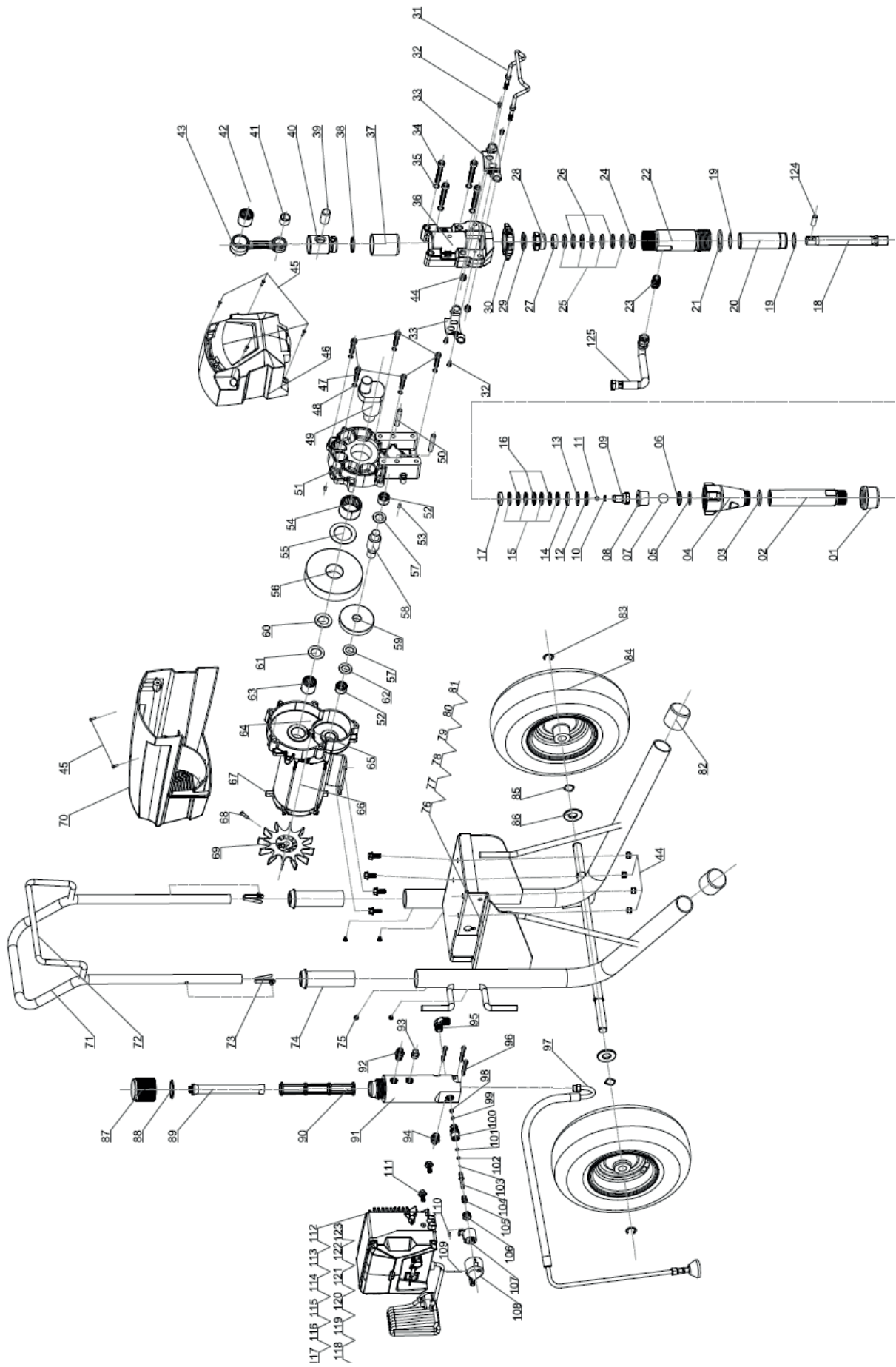
VS 610



VS 610

CODE	POS.	DESCRIPTION	PRICE	CODE	POS.	DESCRIPTION	PRICE
610S001	1	Suction filter		610S049	49	Powder metallurgy ring	
610S002	2	Suction tube		610S050	50	Washer	
610S003	3	Suction hose		610S051	51	Gear shaft collar	
610S004	4	Suction ring		610S052	52	Washer	
610S005	5	Suction connection		610S053	53	Crankshaft Retaining Ring	
610S006	6	Suction		610S054	54	Pin	
610S007	7	O-Ring		610S055	55	Pin	
610S008	8	Seal Ring		610S056	56	Washer	
610S009	9	Nut		610S057	57	Gear shaft	
610S010	10	Plastic Hook		610S058	58	Gear Shaft Retaining Ring	
610S011	11	Feed Seal		610S059	59	Roller bearing	
610S012	12	Lower Pump Body		610S060	60	Motor	
610S013	13	Lower Pump Body Seal		610S061	61	Self-Tapping Screws	
610S014	14	Feed Valve Seat		610S062	62	Motor Propeller	
610S015	15	Feed Valve Ball		610S063	63	Hexagon Cap Screw	
610S016	16	Ball cage		610S064	64	Motor Shield	
610S017	17	Piston valve		610S065	65	Motor Shield Block	
610S018	18	V-Shaped Fixed Screw		610S066	66	Power Controller	
610S019	19	Seal		610S067	67	Potentiometer Knob	
610S020	20+21	Lower pump packing		610S068	68	Control box	
610S022	22	V-Shaped Sealing Ring		610S069	69-80	Relief valve complete	
610S023	23	Ball		610S081	81	Filter body	
610S024	24	Piston		14-2685	82	Medium manifold filter	
610S025	25	Gasket		610S083	83	Filter support	
610S026	26	Pump cylinder		610S084	84	O-ring	
610S027	27	Pump sleeve		610S085	85	Filter cap	
610S028	28	Seal		610S086	86	Return pipe	
610S029	29	Upper packing		610S087	87	Screw	
610S030	30	Small Seal Assembly		610S088	88	Dust proof cover	
610S031	31	Seal Pressure Ring		610S089	89	Return ring screw	
610S032	32	Locking Nut		610S090	90	Return connection	
610S033	33	Gasket locking nut		610S091	91	Collar	
610S034	34	Fitting		610S092	92	Pressure Relief Hose	
610S035	35	O-ring		610S093	93	Pressure Relief Pipe	
610S036	36	Piston Locking Collar		610S094	94	Connector	
610S037	37	Piston rod		610S095	95	Plastic support	
610S038	38	Pin 8x26		610S096	96	Gear Box Cover	
610S039	39	Pin 0x28		610S097	97	Screw M4x20	
610S040	40	Self-Lubricating Bearing		610S098	98	Plate	
610S041	41	Self-Lubricating Bearing		610S099	99	Transducer	
610S042	42	Collar					
610S043	43	Cross Recessed Pan Head					
610S044	44	Dust-Proof Block Screws					
610S045	45	Cross Recessed Pan Head					
610S046	46	Spring Washer					
610S047	47	Gear Box					
610S048	48	Axle bearing					

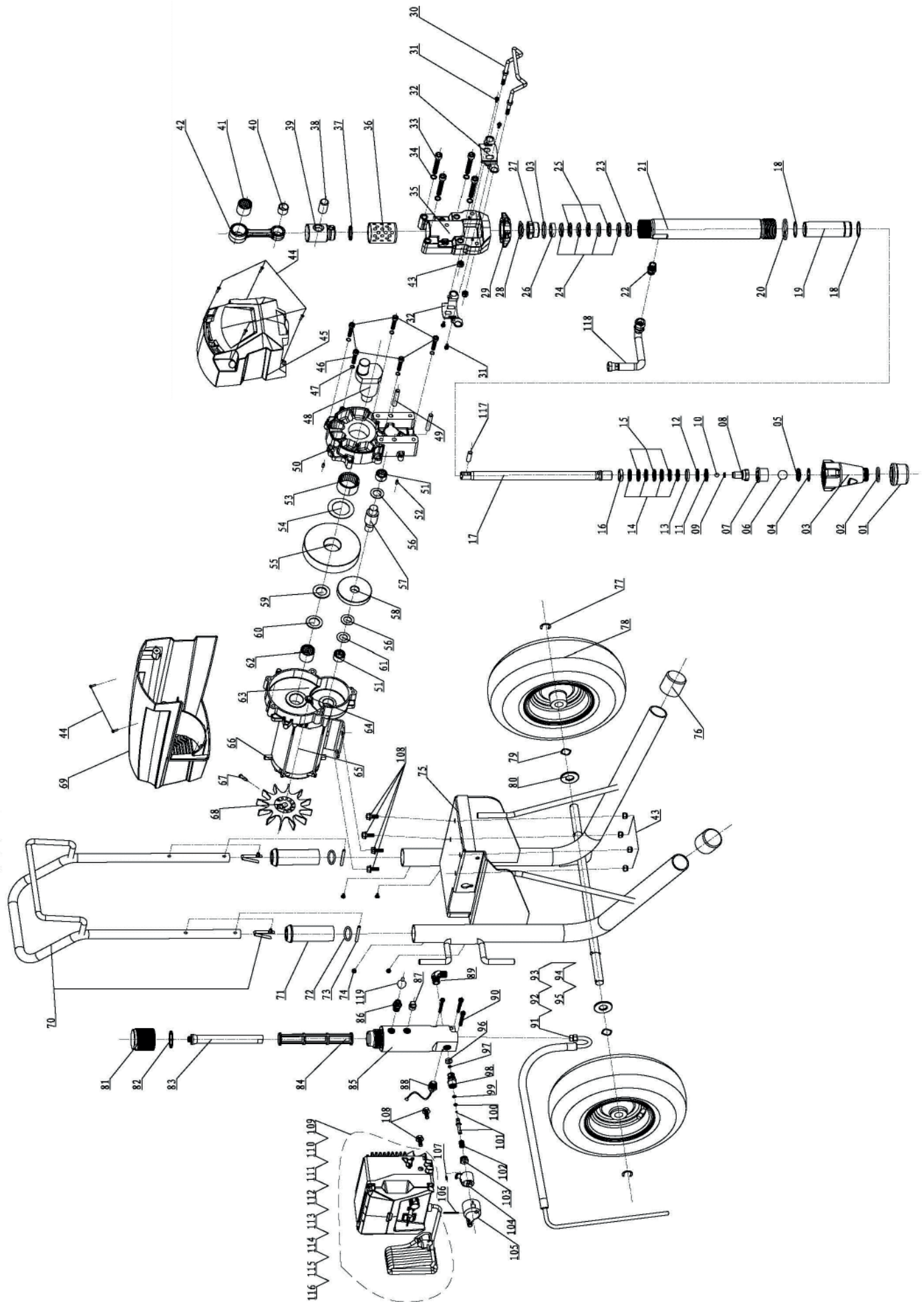
VS 1110



VS 1110

CODE	POS.	DESCRIPTION	PRICE	CODE	POS.	DESCRIPTION	PRICE
14-1223	1	Suction filter		111S060	60	Copper retaining ring	
111S002	2	Pumping extension		111S061	61	Retaining ring	
111S003	3	O-ring		111S062	62	Shaft retaining ring	
111S004	4	Lower Pump Body		111S063	63	Needle roller bearings	
111S005	5	Lower body seal		111S064	64	Motor seat	
111S006	6	Intake valve seat		111S065	65	Motor shaft	
111S007	7	Ball		111S066	66	Motor	
111S008	8	Ball cage		111S067	67	Motor Cover	
111S009	9	Piston valve		111S068	68	Cross slot screw	
111S010	10	Ball seat		111S069	69	Propeller	
111S011	11	Ball ø 9.5		111S070	70	Motor guard	
111S012	12	Packing seal		111S071	71	Handrail main frame	
111S013	13	Packing gasket		111S072	72	Handrail bracket	
111S014	14	Pressure ring		111S073	73	Spring pins	
111S015	15+16	Lower packing set		111S074	74	Cart sleeve	
111S017	17	Retaining ring		111S075	75	Screw	
111S018	18	Piston		111S076	76	Hook	
111S019	19	O-ring		111S077	77	Main frame	
111S020	20	Cylinder		111S078	78	Wheel axel buckle	
111S021	21	O-ring 45x3.55		111S079	79	Wheel axel	
111S022	22	Pump sleeve		111S080	80	Support rod	
111S023	23	Adaptor		111S081	81	Motor support base	
111S024	24	Retaining ring		111S082	82	Cover	
111S025	25+26	Upper packing set		111S083	83	Seeger	
111S027	27	Pressure ring		111S084	84	Rubber tire	
111S028	28	Seal ring lock nut		111S085	85	Wave spring washer	
111S029	29	Dust cover		111S086	86	Gasket	
111S030	30	Pump body lock nut		111S087	87	Filter knob	
111S031	31	Pump base holder		111S088	88	Filter o-ring	
111S032	32	Cross head screw M5x12		111S089	89	Filter support	
111S033	33	Piston guard		14-2695	90	Graco type filter 60M	
111S034	34	Hexagon screw M10x65		111S091	91	Filter body	
111S035	35	Washer		111S092	92	Outlet connector	
111S036	36	Pump seat		111S093	93	Plug	
111S037	37	Copper brushing		111S094	94	Transducer	
111S038	38	Locking ring with pin		111S095	95	Elbow adapter	
111S039	39	Connecting rod pin		111S096	96	Hexagon head screw	
111S040	40	Connecting rod		111S097	97	Pressure relief hose	
111S041	41	Endless bearing		111S098	98-108	Pressure relief valve	
111S042	42	Needle roller bearings		111S109	109	Cylindrical pin 2.5x30	
111S043	43	Connecting rod		111S110	110	Cylindrical pin 3x10	
111S044	44	Self-locking nut		111S111	111	Hexagon flanged bolts	
111S045	45	Hexagonal screw M5x10		111S112	112	Coltroller support	
111S046	46	Gear box cover		111S113	113	Controller cover	
111S047	47	Hexagon screw		111S114	114	Circuit board assembly	
111S048	48	Spring washer		111S115	115	Power cord	
111S049	49	Crankshaft		111S116	116	Power switch	
111S050	50	Pin		111S117	117	Potentiometer knob	
111S051	51	Gear box		111S118	118	Hexagon screw	
111S052	52	Roller bearings		111S119	119	Potentiometer assembly	
111S053	53	Cylindrical pin 5x12		111S120	120	Controller panel	
111S054	54	Roller bearings		111S121	121	LED display	
111S055	55	Retaining ring		111S122	122	Panel connection pin	
111S056	56	Large gears		111S123	123	Watchdog	
111S057	57	Copper retaining ring		111S124	124	Plunger connecting pin	
111S058	58	Gear shaft		111S125	125	Elbow connector tube	
111S059	59	Small gears					

VS 1510

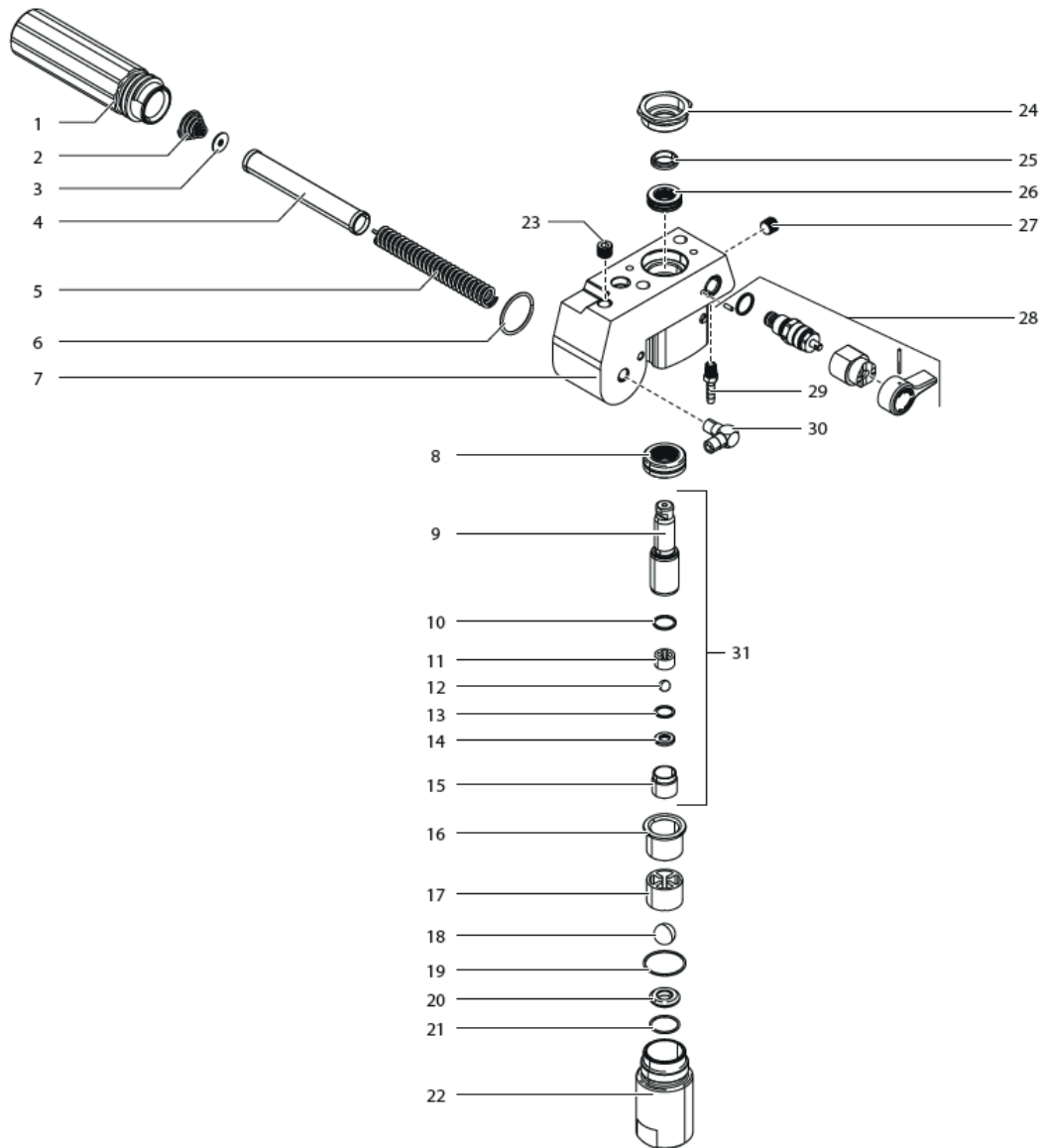


VS 1510

CODE	POS.	DESCRIPTION	PRICE
14-1223	1	Suction filter	
111S003	2	O-ring	
111S004	3	Lower Pump Body	
111S005	4	Lower body seal	
151S005	5	Intake valve seat	
151S006	6	Ball	
151S007	7	Ball cage	
151S008	8	Piston valve	
151S009	9	Ball seat	
111S011	10	Ball ø 9.5	
151S011	11	Packing seal	
151S012	12	Packing gasket	
151S013	13	Pressure ring	
151S014	14+15	Lower packing set	
151S016	16	Retaining ring	
151S017	17	Piston	
151S018	18	O-ring	
151S019	19	Cylinder	
151S020	20	O-ring 45x3.55	
151S021	21	Pump sleeve	
151S022	22	Adaptor	
151S023	23	Retaining ring	
151S024	24+25	Upper packing set	
151S026	26	Pressure ring	
151S027	27	Seal ring lock nut	
151S028	28	Dust cover	
151S030	29	Pump body lock nut	
111S031	30	Pump base holder	
111S032	31	Cross head screw M5x12	
111S033	32	Piston guard	
111S034	33	Hexagon screw M10x65	
111S035	34	Washer	
111S036	35	Pump seat	
111S037	36	Copper brushing	
111S038	37	Locking ring with pin	
111S039	38	Connecting rod pin	
111S040	39	Connecting rod	
111S041	40	Endless bearing	
111S042	41	Needle roller bearings	
111S043	42	Connecting rod	
111S044	43	Self-locking nut	
111S045	44	Hexagonal screw M5x10	
111S046	45	Gear box cover	
111S047	46	Hexagon screw	
111S048	47	Spring washer	
111S049	48	Crankshaft	
111S050	49	Pin	
111S051	50	Gear box	
111S052	51	Roller bearings	
111S053	52	Cylindrical pin 5x12	
111S054	53	Roller bearings	
111S055	54	Retaining ring	
111S056	55	Large gears	
111S057	56	Copper retaining ring	
111S058	57	Gear shaft	
111S059	58	Small gears	
111S060	59	Copper retaining ring	

CODE	POS.	DESCRIPTION	PRICE
111S061	60	Retaining ring	
111S062	61	Shaft retaining ring	
111S063	62	Needle roller bearings	
111S064	63	Motor seat	
111S065	64	Motor shaft	
111S066	65	Motor	
111S067	66	Motor Cover	
111S068	67	Cross slot screw	
111S069	68	Propeller	
111S070	69	Motor guard	
151S070	70	Handrail main frame	
111S074	71	Cart sleeve	
151S072	72	O-ring	
151S073	73	Pin	
151S074	74	Screw	
111S077	75	Motor support base	
111S082	76	Cover	
111S083	77	Seeger	
111S084	78	Rubber tire	
111S085	79	Wave spring washer	
111S086	80	Gasket	
111S087	81	Filter knob	
111S088	82	Filter o-ring	
111S089	83	Filter support	
14-2695	84	Graco type filter 60M	
111S091	85	Filter body	
111S092	86	Outlet connector	
111S093	87	Plug	
111S094	88	Transducer	
111S095	89	Elbow adapter	
111S096	90	Hexagon head screw	
111S097	91-95	Pressure relief hose	
111S098	96-105	Pressure relief valve	
111S109	106	Cylindrical pin 2.5x30	
111S110	107	Cylindrical pin 3x10	
111S111	108	Hexagon flanged bolts	
111S112	109	Coltroller support	
111S113	110	Controller cover	
111S114	111	Circuit board assembly	
111S115	112	Power cord	
111S116	113	Power switch	
111S117	114	Potentiometer knob	
111S118	115	Hexagon screw	
111S119	116	Potentiometer assembly	
111S120	119	Controller panel	
111S121	120	LED display	
111S122	121	Panel connection pin	
111S123	122	Watchdog	
111S124	117	Plunger connecting pin	
111S125	118	Elbow connector tube	

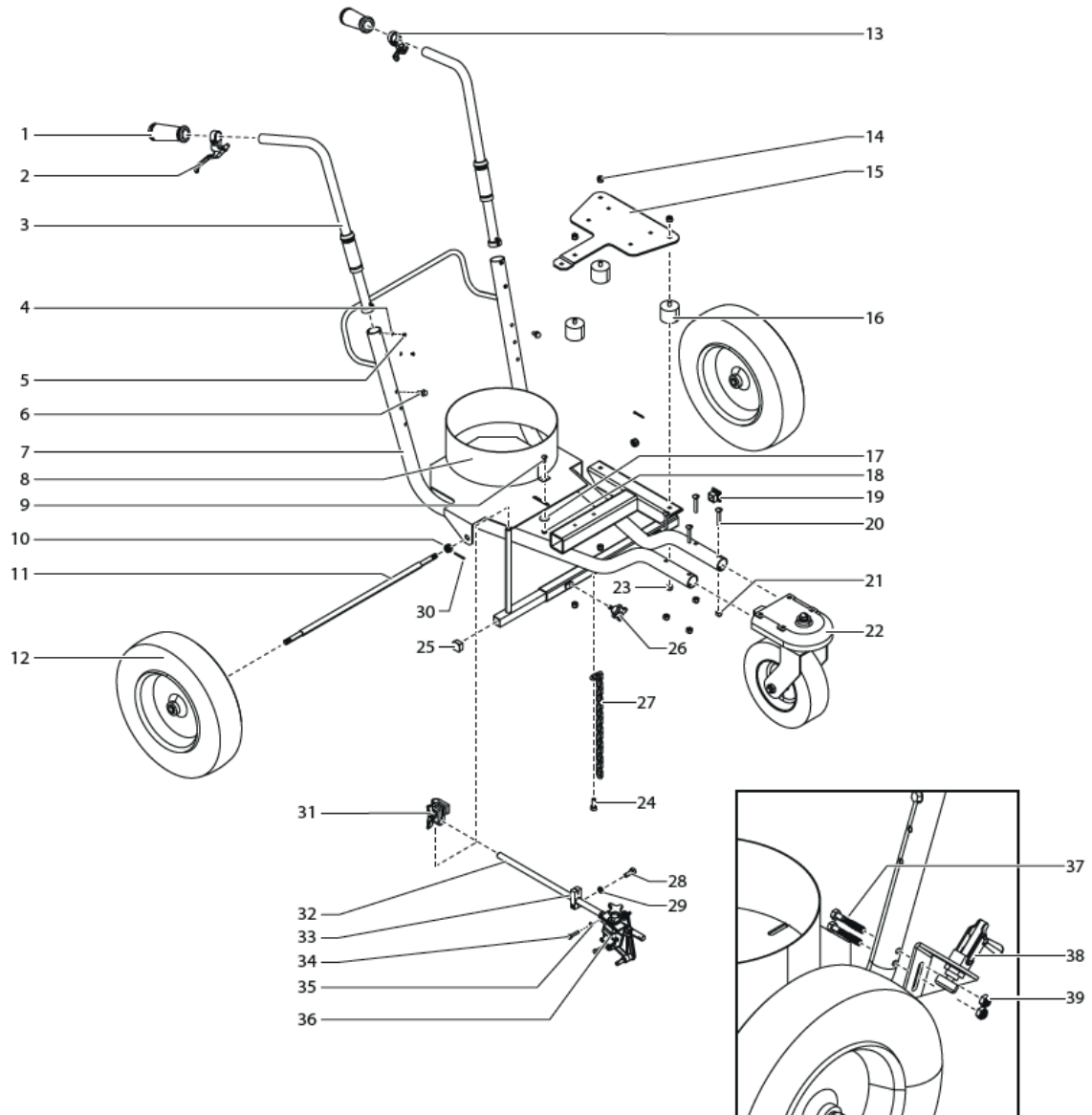
LINE 6500



POS.	CODE	DESCRIPTION	PRICE
1	508601	Filter upper body	
2	508602	Filter spring	
3	508603	Washer	
4	14-2097	60M Filter	
5	508749	Spring	
6	508604	Gasket	
7	551681	Group support	
8	507274	Inferior packing	
9	508597	Piston rod	
10	507734	Gasket	
11	507945	Seat	
12	987415	Ball	
13	507454	Washer	
14	294516	Seat	
15	507733	Suction valve body	
16	555002	Cylinder seal	
17	507944	Seat	
18	355151	Ball	
19	508599	PTFE O-ring	

POS.	CODE	DESCRIPTION	PRICE
20	350031	Seat	
21	509582	PTFE O-ring	
22	759049	Sleeve	
23	507517	Cap	
24	508592	Nut	
25	508593	Piston guide	
26	507273	Upper packing	
27	507517	Cap	
28	354726	Drain valve	
29	551530	Drain fitting	
30	351244	L-fitting	
31	507258	Complete piston	
	507877	Repair kit (includes pos. 8-10-12-13-16-18-19-21-25-26)	
	5078L1	Control board	
	5078L2	Board circuits	
	5078L3	Transducer	

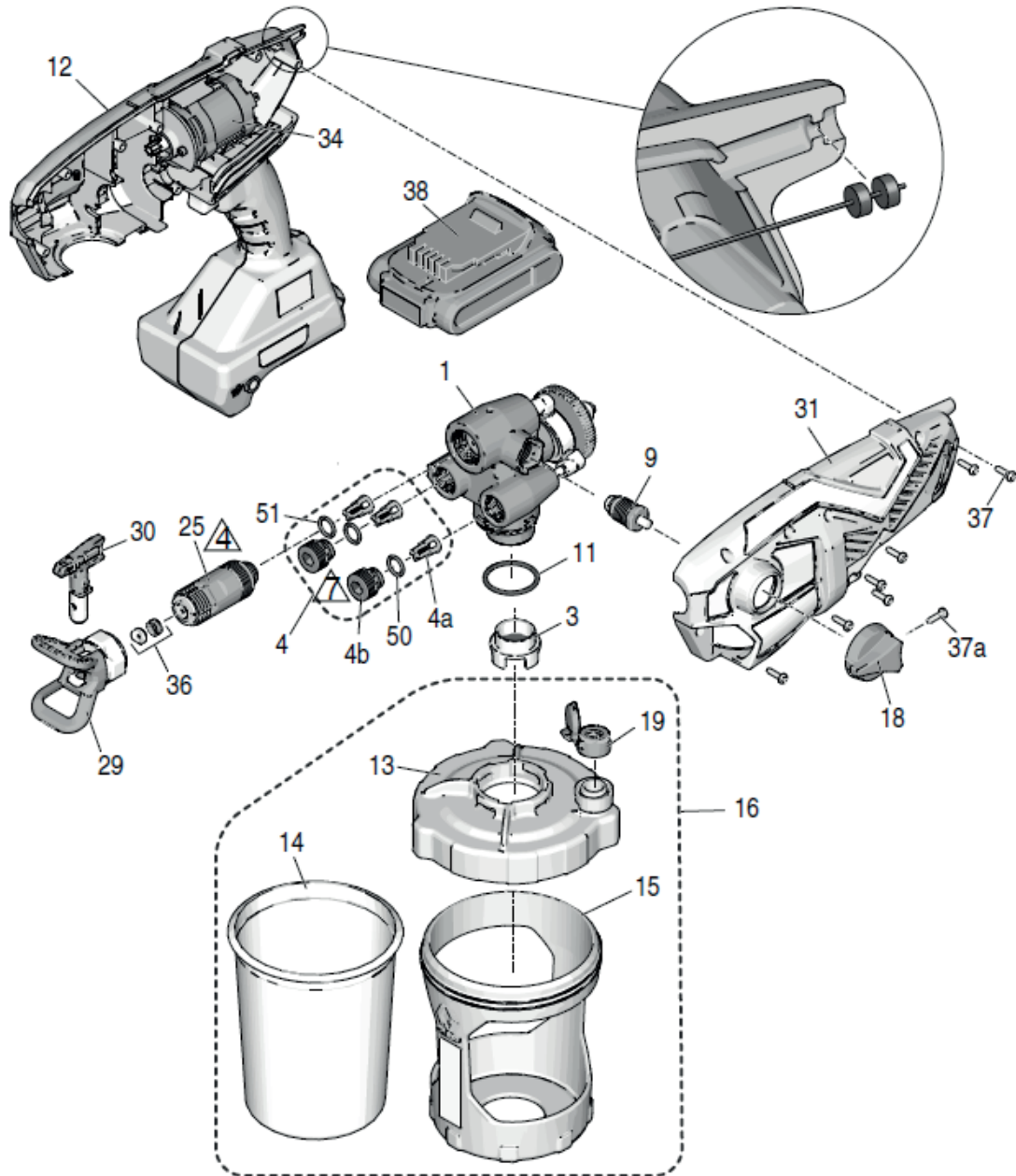
LINE 6500



POS.	CODE	DESCRIPTION	PRICE
1	509211	Handle grip (2pcs)	
2	528231	Lever assembly	
3	523232	Handle assembly	
4	209386	Lock washer	
5	295608	Screw	
6	508590	Hexagon nut	
7	528187	Cart body	
8	528188	Bucket holder	
9	509247	Screw	
10	509225	Nut	
11	528189	Axis	
12	528190	Rear wheel	
13	528191	Brake lever	
14	509293	Nut	
15	528192	Mounting plate	
16	509770	Spacer	
17	555489	Washer	
18	500527	Nut	
19	509231	Cap	
20	528193	Screw	

POS.	CODE	DESCRIPTION	PRICE
21	295615	Nut	
22	528303	Wheel set	
23	509293	Nut	
24	509553	Hexagon nut	
25	254499	Cap	
26	528195	Knob assembly	
27	555413	Grounding chain	
28	509553	Screw	
29	509292	Washer	
30	509226	Pin	
31	528196	Clamp assembly	
32	528197	Arm support	
33	528198	Cable mounting clamp	
34	509775	Hexagon nut	
35	509772	Washer	
36	509171	Gun support	
37	528199	Pin	
38	528204	Brake assembly	
39	528205	Locking nut	

ULTRAMAX HH

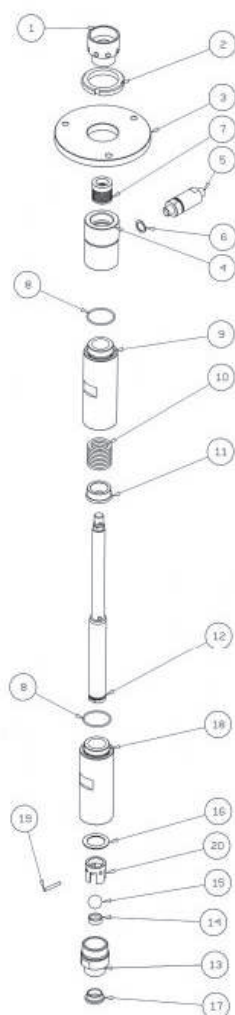
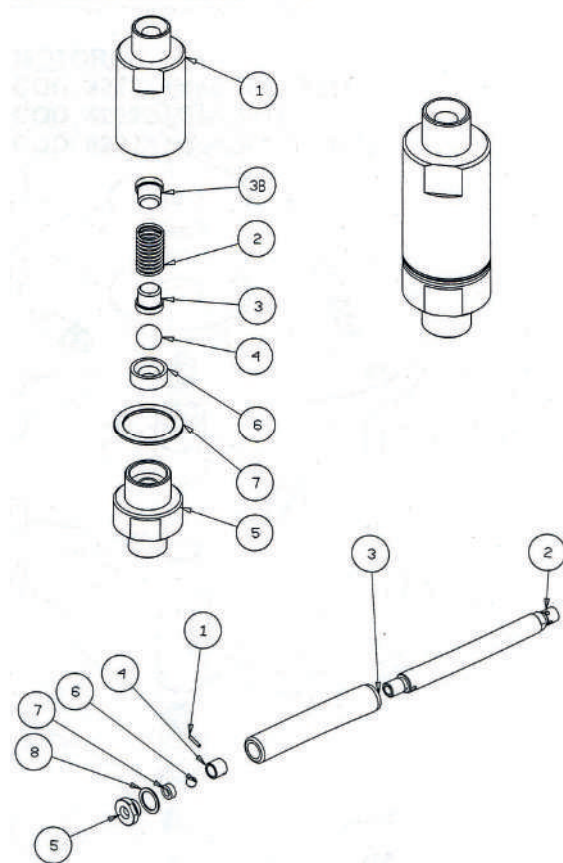


POS.	CODE	DESCRIPTION	PRICE	POS.	CODE	DESCRIPTION	PRICE
1	17P187	Kit, pump assembly includes 4, 9, 11, 25		18	17M882	Prime Pump/Spray knob	
3	17P554	Filter. pump, 60 mesh, 3 pack		19	17P712	VacuValve cap (3-pack)	
4	17P183	Kit, outlet valve repair includes 3 of 4a, 2 of 4b, 2 of 50, 1 of 51		25	17P175	Kit, front valve includes 51	
9	17R420	Prime Pump/Spray valve includes 18, 1 of 37a		29	17P573	Guard, spray tip 7/8" FFLP	
11	125249	O-ring		30	FFLPXXX	Spray tip RAC X FF LP	
12	17P181	Kit, Smartcontrol with enclosure includes 31, 34, 7 of 37, 34, 52		36	17P501	Kit, tip seat and seal (5-pack)	
13	17N517	Lid, cup includes 1 of 19		36	17P502	Kit, tip solvents (5-pack)	
14	17A226	FlexLiner, 32 oz. (3-pack)		37	17R614	Screw, cross-head	
14	17P212	FlexLiner, 32 oz. (25-pack)		37a	128726	Screw, cross-head	
14	17F005	FlexLiner, 42 oz. (3-pack)		38	17P557	Li-ion Battery Pack DEWALT	
14	17P549	FlexLiner, 42 oz. (25-pack)		39	17P560	Battery Charger DEWALT	
15	17N392	Support, cup, 32 oz.		50	118594	O-ring	
16	17P551	Kit cup support, lid and plug 32oz		51	117724	O-ring	
16	17P553	Kit cup support, lid and plug 72oz					
17	17R611	Plug, cup lid					

VTP 010 / VTS 201

CODE	POS.	DESCRIPTION	PRICE
30200		Check valve 3/8"	
33114	1	Valve body	
30153B	3B	S.steel upper ball guide	
33153	2	S.steel spring	
30153	3	S.steel inferior ball guide	
SF11	4	TC ball Ø 11	
33115	5	Valve ring	
CT16	6	TC bal seat 16	
RR22	7	Copper washer	

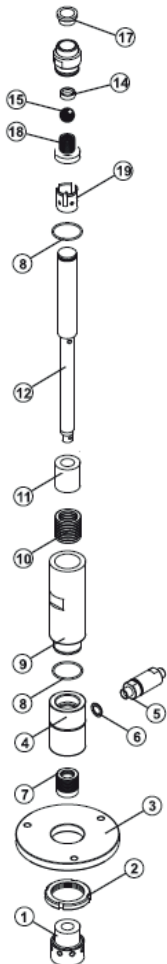
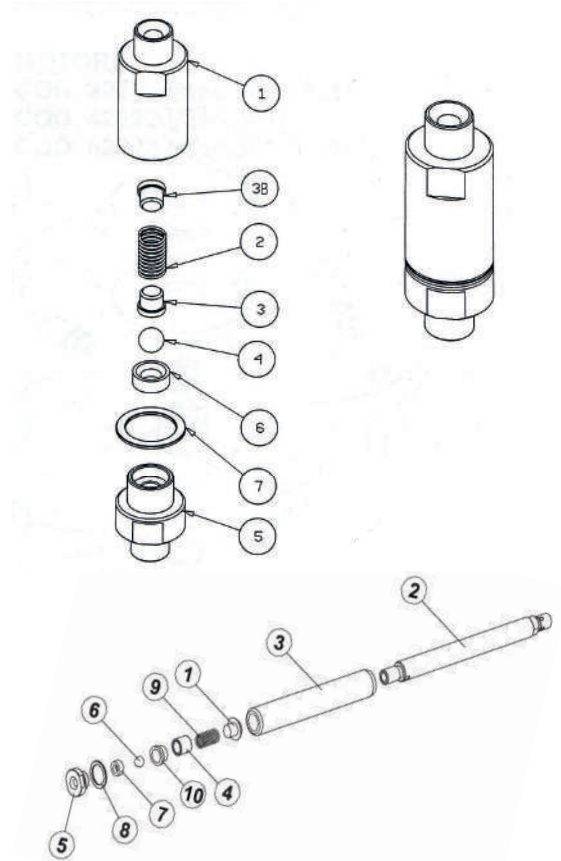
CODE	POS.	DESCRIPTION	PRICE
TS30500		Complete piston	
TS30137	1	Ball stop pin	
TS30132F	2	Upper piston part	
TS30145F	3	Inferior piston part	
TS30147	4	Ball guide	
TS30146	5 + 7	Ball seat and support TC16	
490011	6	S. steel ball Ø 11	
RN34	8	Nylon washer	



CODE	POS.	DESCRIPTION	PRICE
TS30107	1	Sealing gland	
TN33108	2	Sealing ring	
TS3010	3	Pump support	
TS30106	4	Hub	
30200	5	Check valve 3/8"	
RR38	6	Copper washer	
TS30300	7	Upper gasket set (11 pcs)	
TS33156	8	O-ring PTFE	
TS30109	9	Upper unit sleeve	
TS30400	10	Lower gasket set (6 pcs)	
TS30184	11	Lower internal seal gland	
TS30500	12	Complete piston	
TN30110	13	Suction valve body	
CT24	14	TC ball seat	
490025	15	Ball Ø 25	
TN30182	16	Suction valve seal	
TN30183	17	Lower suction valve gasket	
TS30111	18	Lower unit sleeve	
TN30181	19	Ball stopping pin	
TN30180	20	Suction valve ball guide	
TS30140		Upper gasket sealing set	
TS30143		Lower gasket sealing set	

ECO 401 P / TS / TSR

CODE	POS.	DESCRIPTION	PRICE
30200		Check valve 3/8"	
33114	1	Valve body	
30153B	3B	S.steel upper ball guide	
33153	2	S.steel spring	
30153	3	S.steel inferior ball guide	
SF11	4	TC ball Ø 11	
33115	5	Valve ring	
CT16	6	TC bal seat 16	
RR22	7	Copper washer	
CODE	POS.	DESCRIPTION	PRICE
30500		Complete piston	
30153-1	1	Ball stop pin	
30132	2	Upper piston part	
30145	3	Inferior piston part	
30147	4	Ball guide	
30146	5 + 7	Ball seat and support TC16	
490011	6	S. steel ball ø 11	
RR22	8	Nylon washer	
400443E	9	Spring	
400447E	10	Ball guide	

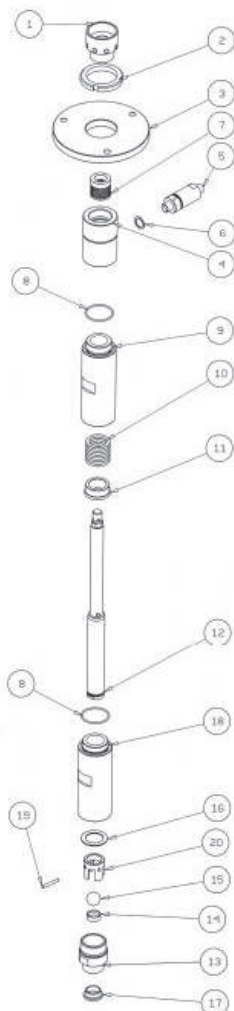
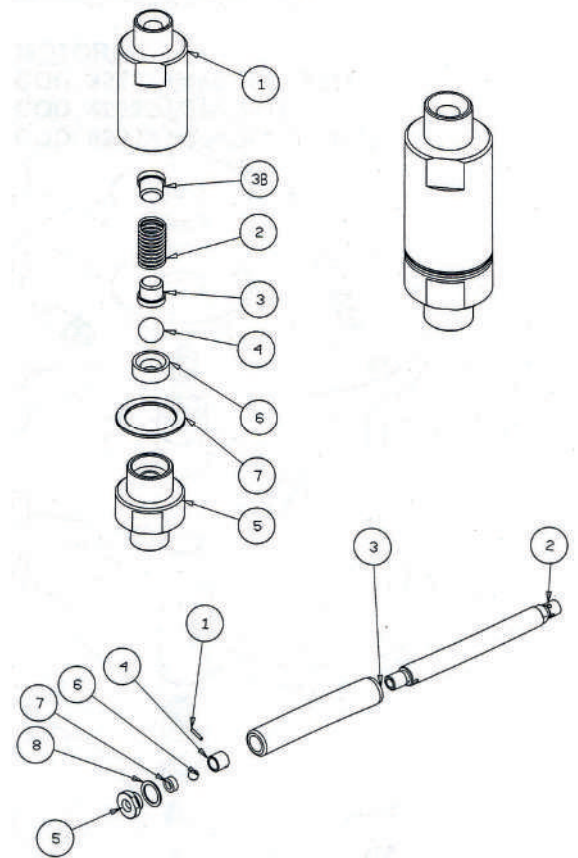


CODICE	POS.	DESCRIZIONE	PREZZO
30107	1	Sealing gland	
33108	2	Sealing ring	
30105	3	Pump support	
30106	4	Hub	
30200	5	Check valve 3/8"	
RR38	6	Copper washer	
TN30300	7	Upper gasket set (7 pcs)	
33156	8	O-ring PTFE	
30109	9	Upper unit sleeve	
TN30400	10	Lower gasket set (5 pcs)	
30184	11	Lower internal seal gland	
TS30500	12	Complete piston	
TN30110	13	Suction valve body	
CT24	14	TC ball seat	
490025	15	Ball Ø 25	
30182	16	Suction valve seal	
30183	17	Lower suction valve gasket	
33153	18	Spring	
30180	19	Suction valve ball guide	
TS30140		Upper gasket sealing set	
TS30143		Lower gasket sealing set	

VTN 401

CODE	POS.	DESCRIPTION	PRICE
30200		Check valve 3/8"	
33114	1	Valve body	
30153B	3B	S.steel upper ball guide	
33153	2	S.steel spring	
30153	3	S.steel inferior ball guide	
SF11	4	TC ball Ø 11	
33115	5	Valve ring	
CT16	6	TC bal seat 16	
RR22	7	Copper washer	

CODE	POS.	DESCRIPTION	PRICE
TN30500A		Complete piston	
TS30137	1	Ball stop pin	
TS30132S	2	Upper piston part	
TS30145S	3	Inferior piston part	
TN30147	4	Ball guide	
TN30146	5 + 7	Ball seat and support TC16	
490011	6	S. steel ball Ø 11	
RN22	8	Nylon washer	

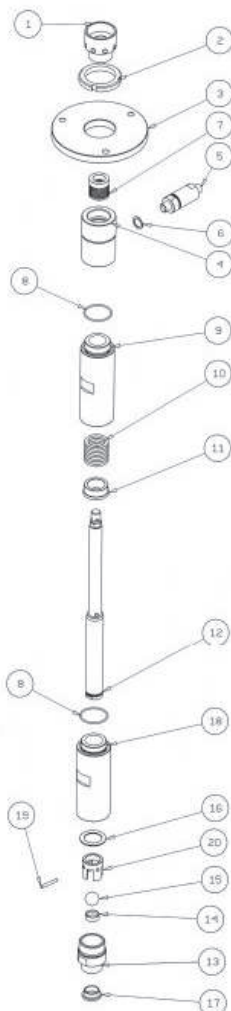
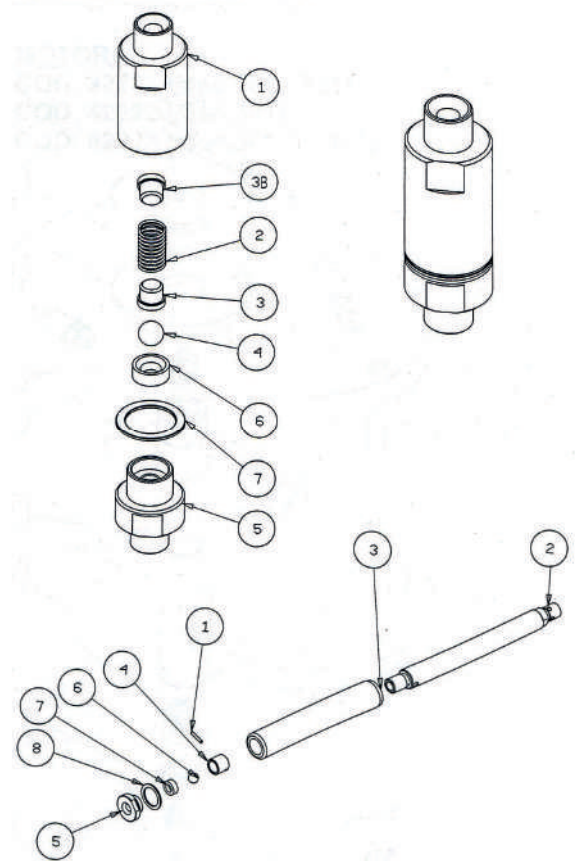


CODE	POS.	DESCRIPTION	PRICE
TS30107	1	Sealing gland	
TN33108	2	Sealing ring	
TS3010	3	Pump support	
TS30106	4	Hub	
30200	5	Check valve 3/8"	
RR38	6	Copper washer	
TN30300	7	Upper gasket set (7 pcs)	
TN33156	8	O-ring PTFE	
TS30109	9	Upper unit sleeve	
TN30400	10	Lower gasket set (5 pcs)	
TS30184	11	Lower internal seal gland	
TS30500	12	Complete piston	
TN30110	13	Suction valve body	
CT24	14	TC ball seat	
490025	15	Ball Ø 25	
TN30182	16	Suction valve seal	
TN30183	17	Lower suction valve gasket	
TS30111	18	Lower unit sleeve	
TN30181	19	Ball stopping pin	
TN30180	20	Suction valve ball guide	
TS30140		Upper gasket sealing set	
TS30143		Lower gasket sealing set	

VTN 321

CODE	POS.	DESCRIPTION	PRICE
30200		Check valve 3/8"	
33114	1	Valve body	
30153B	3B	S.steel upper ball guide	
33153	2	S.steel spring	
30153	3	S.steel inferior ball guide	
SF11	4	TC ball Ø 11	
33115	5	Valve ring	
CT16	6	TC bal seat 16	
RR22	7	Copper washer	

CODE	POS.	DESCRIPTION	PRICE
TN30500A		Complete piston	
TS30137	1	Ball stop pin	
TS30132S	2	Upper piston part	
TS30145S	3	Inferior piston part	
TN30147	4	Ball guide	
TN30146	5 + 7	Ball seat and support TC16	
490011	6	S. steel ball Ø 11	
RN22	8	Nylon washer	

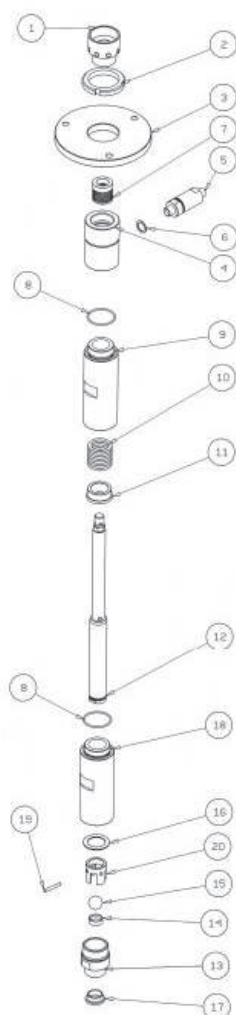
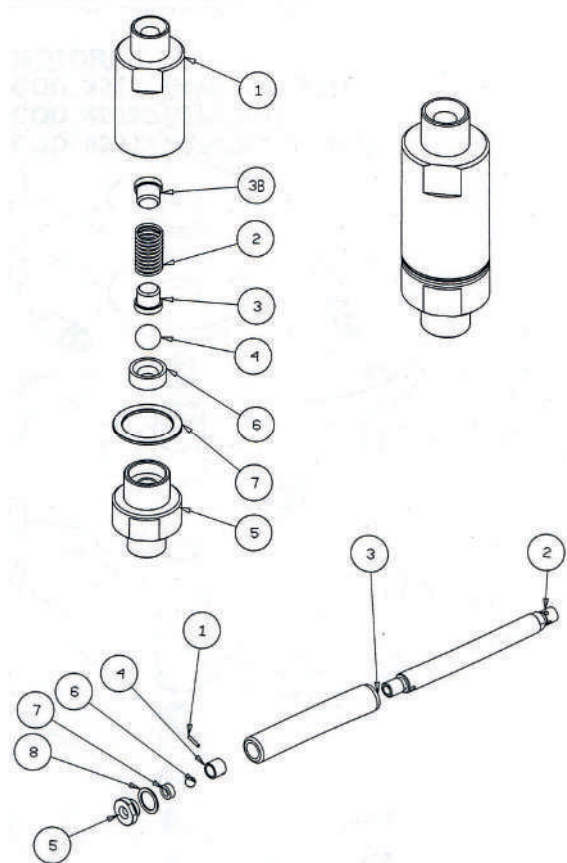


CODE	POS.	DESCRIPTION	PRICE
TN30107	1	Sealing gland	
TN33108	2	Sealing ring	
TN3010	3	Pump support	
TN30106	4	Hub	
30200	5	Check valve 3/8"	
RR38	6	Copper washer	
TN30300	7	Upper gasket set (7 pcs)	
TN33156	8	O-ring PTFE	
TN30109	9	Upper unit sleeve	
TN30400	10	Lower gasket set (5 pcs)	
TN30184	11	Lower internal seal gland	
TN30500A	12	Complete piston	
TN30110	13	Suction valve body	
CT24	14	TC ball seat	
490025	15	Ball Ø 25	
TN30182	16	Suction valve seal	
TN30183	17	Lower suction valve gasket	
TN30111	18	Lower unit sleeve	
TN30181	19	Ball stopping pin	
TN30180	20	Suction valve ball guide	
TN30140		Upper gasket sealing set	
TN30143		Lower gasket sealing set	

VTS 301

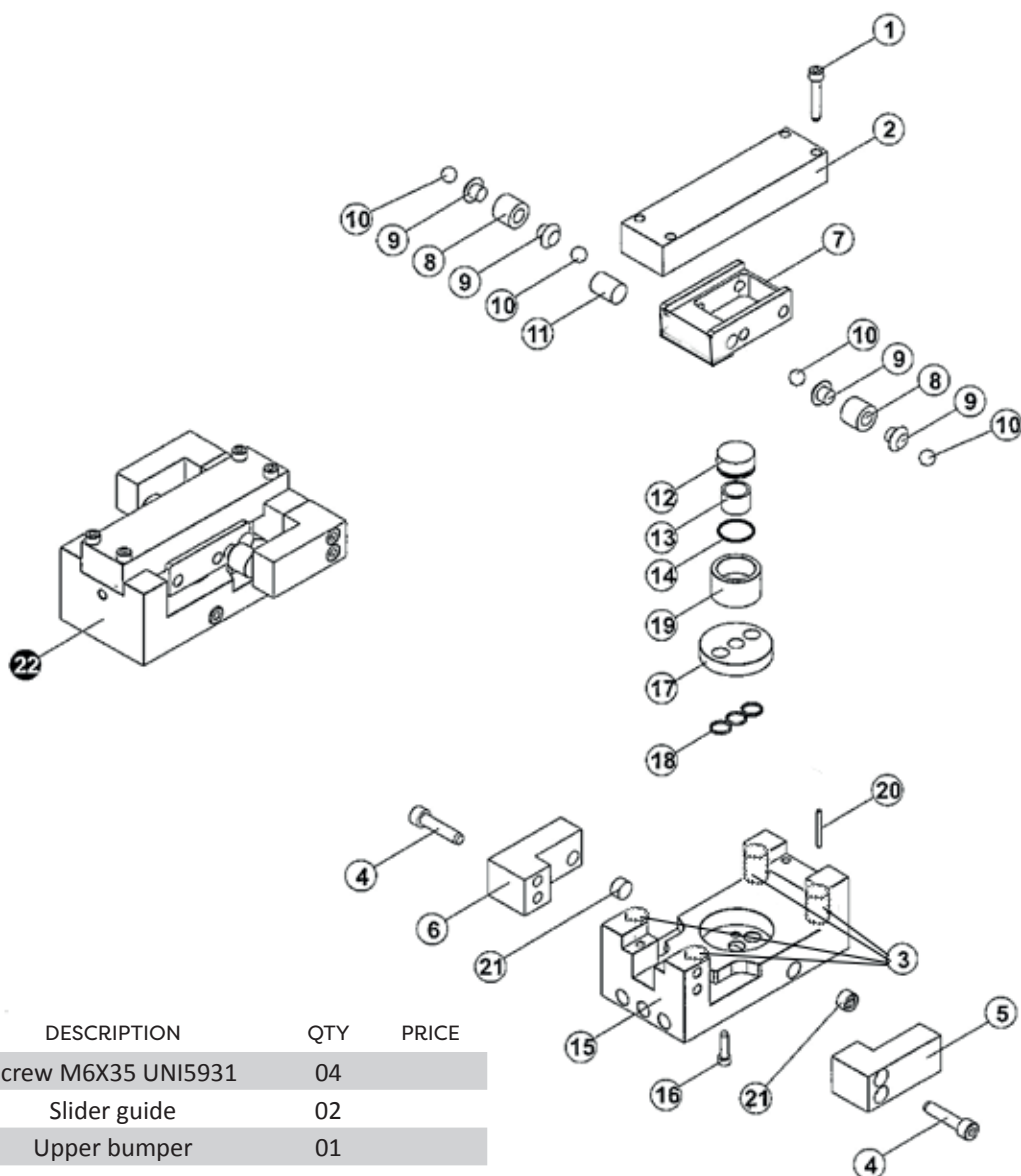
CODE	POS.	DESCRIPTION	PRICE
30200		Check valve 3/8"	
33114	1	Valve body	
30153B	3B	S.steel upper ball guide	
33153	2	S.steel spring	
30153	3	S.steel inferior ball guide	
SF11	4	TC ball Ø 11	
33115	5	Valve ring	
CT16	6	TC bal seat 16	
RR22	7	Copper washer	

CODE	POS.	DESCRIPTION	PRICE
TS30500		Complete piston	
TS30137	1	Ball stop pin	
TS30132A	2	Upper piston part	
TS30145A	3	Inferior piston part	
TS30147	4	Ball guide	
TS30146	5 + 7	Ball seat and support TC16	
490011	6	S. steel ball Ø 11	
RN34	8	Nylon washer	



CODE	POS.	DESCRIPTION	PRICE
TS30107	1	Sealing gland	
TS33108	2	Sealing ring	
TS3010	3	Pump support	
TS30106	4	Hub	
30200	5	Check valve 3/8"	
RR38	6	Copper washer	
TS30300	7	Upper gasket set (11 pcs)	
TS33156	8	O-ring PTFE	
TS30109	9	Upper unit sleeve	
TS30400	10	Lower gasket set (6 pcs)	
TS30184	11	Lower internal seal gland	
TS30500	12	Complete piston	
TS30110	13	Suction valve body	
CT24	14	TC ball seat	
490025	15	Ball Ø 25	
TS30182	16	Suction valve seal	
TS30183	17	Lower suction valve gasket	
TS30111	18	Lower unit sleeve	
TS30181	19	Ball stopping pin	
TS30180	20	Suction valve ball guide	
TS30140		Upper gasket sealing set	
TS30143		Lower gasket sealing set	

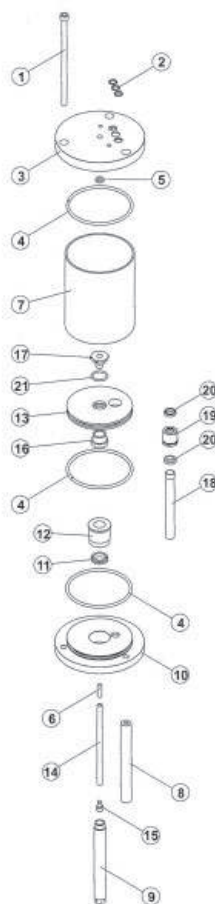
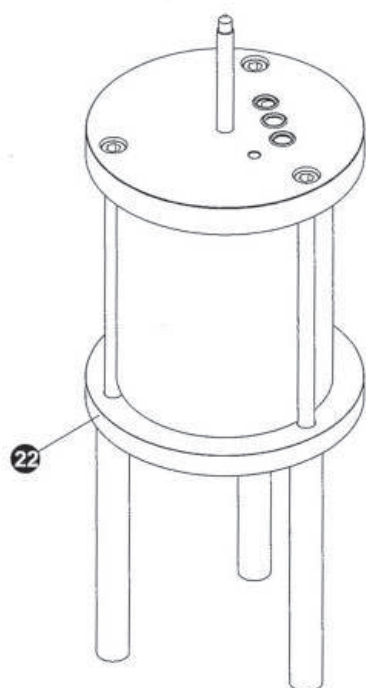
AIR MOTOR EXCHANGE VTN/S



CODE	POS.	DESCRIPTION	QTY	PRICE
VTBR635	1	Screw M6X35 UNI5931	04	
33118	2	Slider guide	02	
30169	3	Upper bumper	01	
VTBR835	4	Screw M8X35 UNI5931	04	
30163	5	Right support	01	
30164	6	Left support	01	
30121	7	Slider body	01	
33166	8	Spring	02	
33165	9	Spring guide	02	
490012	10	Ball $\varnothing 12$	04	
33123	12	Internal slide	01	
33126	13	Spring	01	
33125	14	Oring 020	01	
30119	15	Exchange body	01	
VTBR520	16	Screw M5X20 UNI5931	02	
30122	17	Body disk	01	
3021A	18	Oring 111	03	
30124	19	Extenal slide	01	
30117	20	Elastic spring $\varnothing 3$	01	
TPM14	21	Conical allen cap 1/4"	02	
31111	22	Complete air exchange	01	

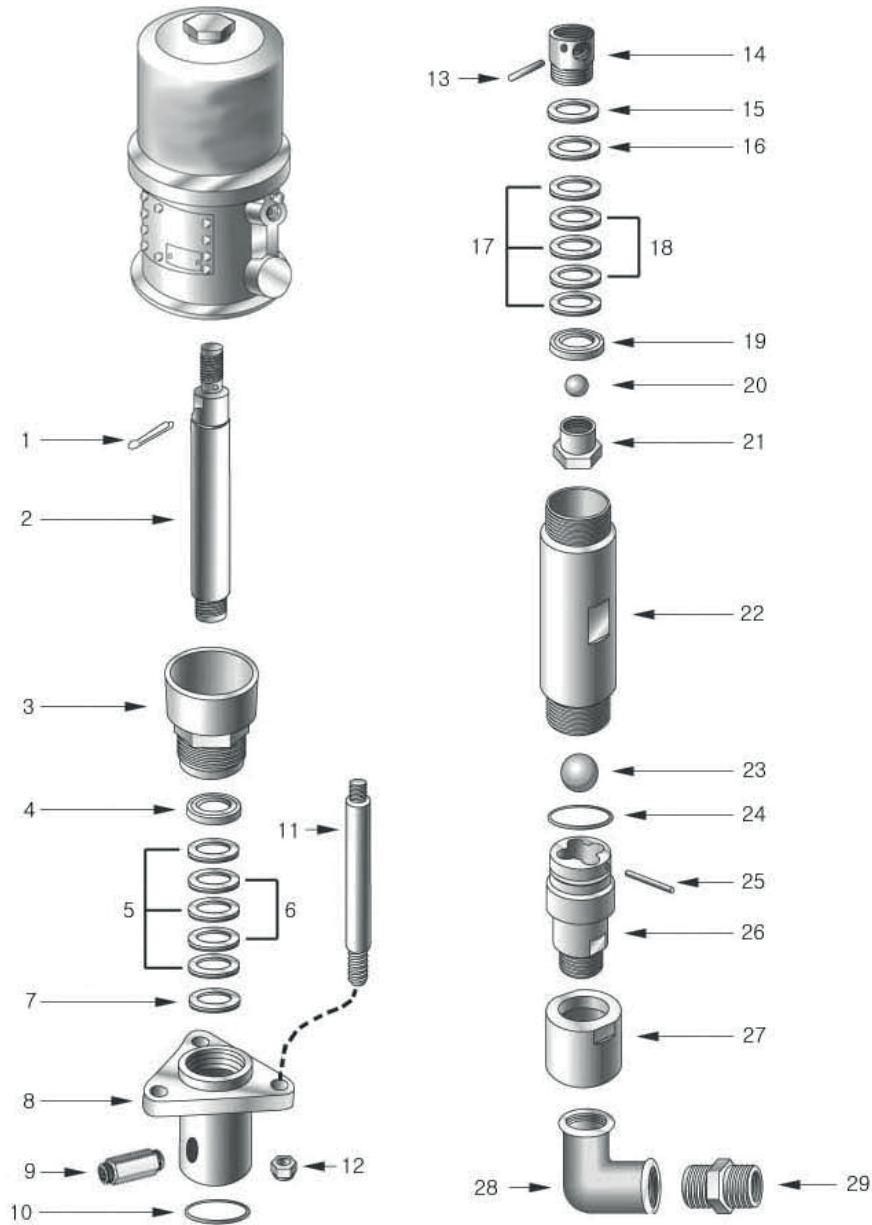
CODICE	DESCRIZIONE	PREZZO
VTNC1	Lower packing tool key VTN	
VTSC2	Lower packing tool key VTS	
VTNSC3	Upper packing tool key VTN - VTS	

AIR MOTOR VTN/S



POS.	DESCRIPTION	QTY	MODELS 201 - 321		MODEL 401		MODELS 301/S - 010	
			CODE	PRICE	CODE	PRICE	CODE	PRICE
1	Screw M10X200 UNI5931	03	VTBR10200		VTBR10200		VTBR10200	
2	Oring 111	03	30185		30185		30185	
3	Upper motor flange	01	30101		40101		60101	
4	Oring	03	30128		40128		60128	
5	Macma 10-16	01	30155		30155		30155	
6	Grain M8x30	01	GR830		GR830		GR830	
7	Motor cylinder	01	30102		40102		60102	
8	Column	03	30104		30104		30104	
9	Motor shaft	02	30131		30131		30131	
10	Flange	01	30103		40103		60103	
11	Macma 22-32	02	30154		30154		30154	
12	Motor shaft guide brushing	01	30167		30167		30167	
13	Piston	01	30129		40129		60129	
14	Slider	01	30166		30166		30166	
15	Screw M8X10 UNI5931	01	VTBR810		VTBR810		VTBR810	
16	Lower piston support	01	30175		30175		30175	
17	Upper piston support	01	30174		30174		30174	
18	Internal piston cylinder	01	30173		30173		30173	
19	Internal cylinder guide	01	30171		30171		30171	
20	Macma 16-22	02	30126		30126		30126	
21	Oring 618	01	30187		30187		30187	
22	Complete air motor	01	32222		42222		62222	

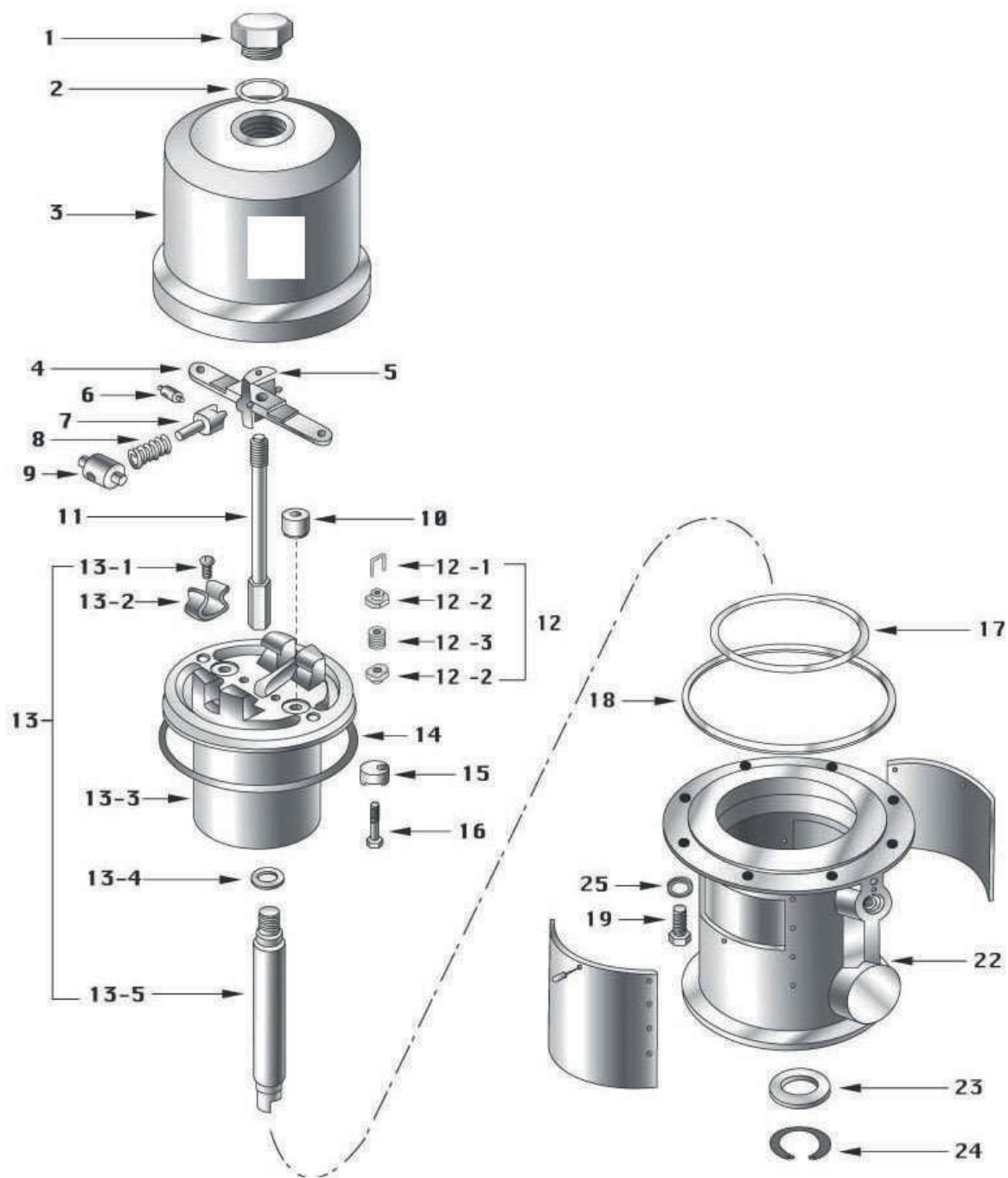
PUMPING 5:1 FE



CODE	POS.	DESCRIPTION	PRICE
28202	1	Pin	
10202N	2	Motor shaft	
10203	3	Support nut	
10204	4	Gland F	
10205	5	V-Gasket (PE)	
10206	6	V-Gasket (PTFE)	
10207	7	Gland M	
10208	8	Housing	
28208	9	Nipple PT 3/8" x PF 3/8"	
10210	10	O-ring T	
28201	11	Rod	
28209	12	Nut (Teflon)	
10213	13	Pin	
10214	14	Ball seat	
10215	15	Washer	
10216	16	Gland M	

CODE	POS.	DESCRIPTION	PRICE
10217	17	V-Gasket (PE)	
10218	18	V-Gasket (PTFE)	
10219	19	Gland F	
10220	20	Ball	
10221	21	Piston seat	
10222N	22	Sleeve	
10223	23	Ball	
10224	24	O-ring	
10225	25	Pin	
10226	26	Suction valve	
10227	27	Intake housing	
68108-2	28	Elbow 3/4" x 1"	
28222	29	Nipple	

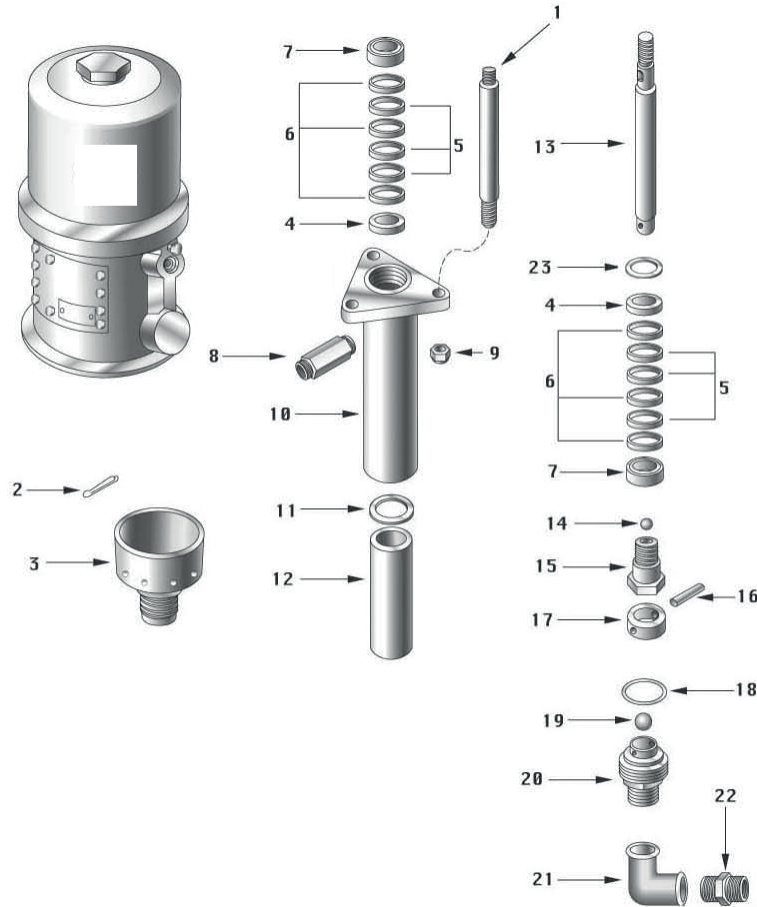
AIR MOTOR WIN 281 - PRO 301 FE



CODE	POS.	DESCRIPTION	PRICE
28101	1	Packing nut	
45127	2	Rubber o-ring	
28103	3	Protection	
28104-W	4	Actuator	
28105	5	Yoke	
28106	6	Pin	
28107	7	Arm	
20108	8	Spring	
28109	9	Rocker	
28110	10	Shutter	
28111	11	Rod	
28112-W	12	Lock set	
28113	13	Complete piston	

CODE	POS.	DESCRIPTION	PRICE
28114	14	Gasket	
28115	15	Shutter	
28116	16	Screw	
28117	17	Gasket	
28118	18	Gasket	
28119	19	Screw	
28122	22	Base	
28123	23	Gasket	
28124	24	Snap ring	
28125	25	Spring gasket	
R281100-W		Pneumatic air motor repair kit for 28100-W	

PUMPING 28:1



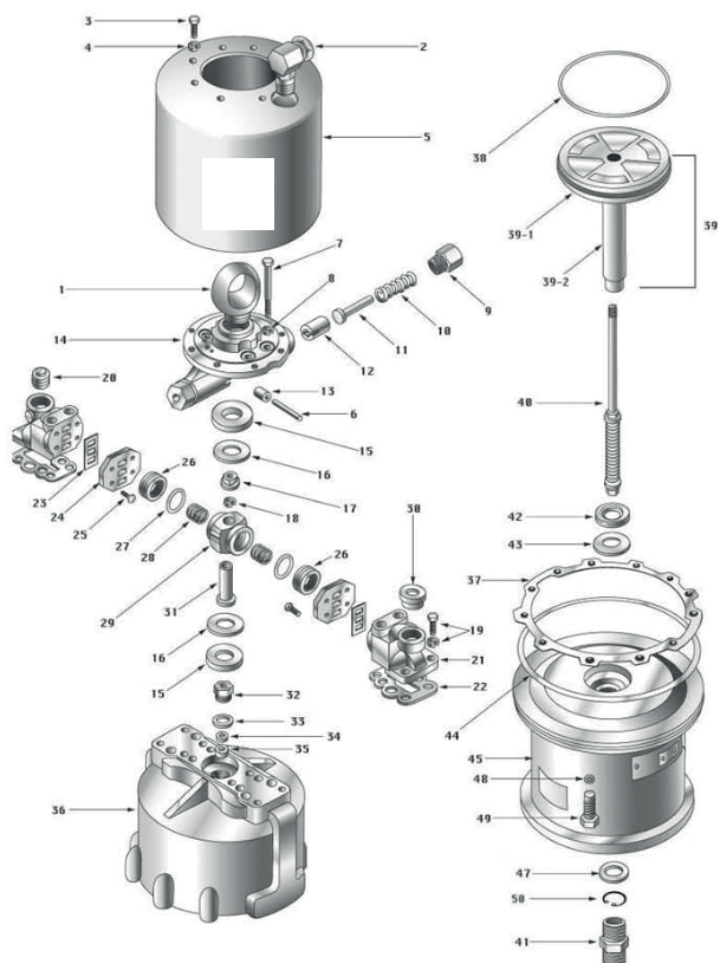
STEEL VERSION

CODE	POS.	DESCRIPTION	PRICE
H28200		Complete pump	
28201	1	Tie rod	
28202	2	Cotter pin	
28203	3	Nut	
28204	4	Gland M	
28205	5	V-packing (leather)	
28206	6	V-packing (teflon)	
28207	7	Gland F	
28208	8	Nipple PT 3/8" x PF 3/8"	
28209	9	Nut (teflon)	
28210	10	Housing	
28211	11	PTFE gasket	
28212N	12	Sleeve	
28213N	13	Pump rod	
28214	14	Ball 5/16"	
28215	15	Piston	
28216	16	Pin	
28217	17	Spacer	
28218	18	O-ring	
28219	19	Ball 1/12"	
28220	20	Suction valve body	
28221	21	Elbow	
28222	22	Nipple	
28223	23	Washer	

STAINLESS STEEL VERSION

CODE	POS.	DESCRIPTION	PRICE
H28S200		S. Steel complete pump	
28201	1	Tie rod	
28202	2	Cotter pin	
28203	3	Nut	
28204S	4	S. Steel Gland M	
28205	5	V-packing (leather)	
28206	6	V-packing (teflon)	
28207S	7	S. Steel Gland F	
28208S	8	SS Nipple PT 3/8" x PF 3/8"	
28209	9	Nut (teflon)	
28210S	10	S. Steel housing	
28211	11	PTFE gasket	
28212S	12	S. Steel sleeve	
28213S	13	S. Steel pump rod	
28214S	14	S. Steel ball 5/16"	
28215S	15	S. Steel piston	
28216S	16	S. Steel pin	
28217S	17	S. Steel spacer	
28218	18	O-ring	
28219S	19	S. Steel ball 1/12"	
28220S	20	S. Steel suction valve body	
28221S	21	S. Steel elbow	
28222S	22	S. Steel nipple	
28223S	23	S. Steel washer	

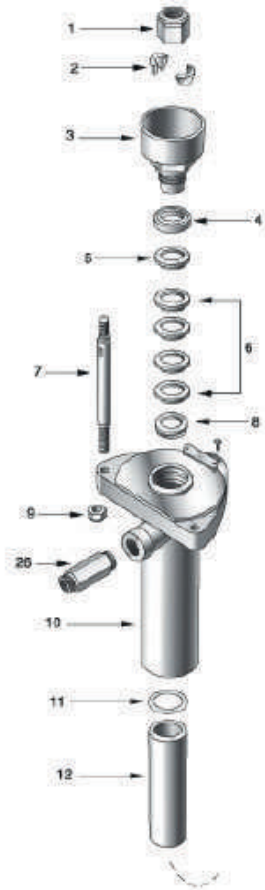
AIR MOTOR 45:1 / 63:1



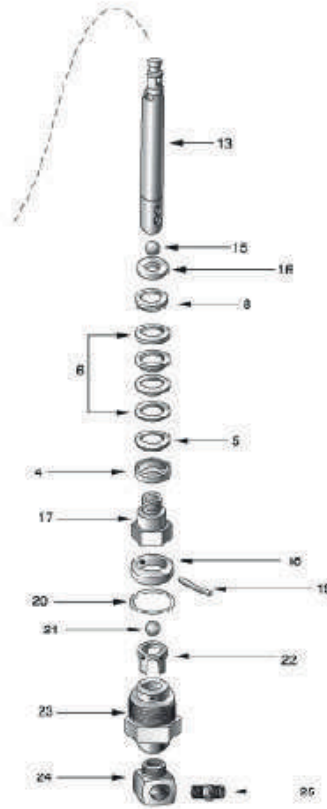
CODE	POS.	DESCRIPTION	PRICE
45101	1	Ground clip	
45102	2	Ground clip screw	
45103	3	Screw	
45104	4	Washer (Spring 1/4")	
45105	5	Shield	
45106	6	Axle	
45107	7	Screw	
45108	8	Lock washer	
45109	9	Screw	
45110	10	Spring	
45111	11	Guide spring detent	
45112	12	Plunger	
45113	13	Roller	
45114	14	Housing	
45115	15	Bearing	
45116	16	Washer	
45117	17	Nut	
45118	18	Washer	
45119	19	Screw and washer	
45120	20	Pipe socket plug 3/4"	
45121	21	Manifold	
45122	22	Manifold gasket	
45123	23	Seat valve plate	
45124	24	Plate	
G73001	25	Screw	

CODE	POS.	DESCRIPTION	PRICE
45126	26	Air valve	
45127	27	Rubber o-ring	
45128	28	Compression spring	
45129	29	Air valve housing	
45130	30	Grommet	
45131	31	Valve housing hub	
45132	32	Bearing trip rod	
45133	33	Copper gasket	
45134	34	Leather gasket	
45135	35	V-packing	
45136	36	Air motor Cylinder	
45137	37	Cylinder gasket	
45138	38	Piston o-ring	
45139	39	Piston assembly	
45140	40	Trip rod assembly	
45141	41	Nipple	
45142	42	Rubber o-ring	
45143	43	Gasket	
45144	44	Rubber o-ring	
45145	45	Air motor Base	
45147	47	Gasket	
45148	48	Washer	
45149	49	Screw	
45150	50	Snap ring	

PUMP 45:1 / 63:1 STEEL



STEEL VERSION 45:1

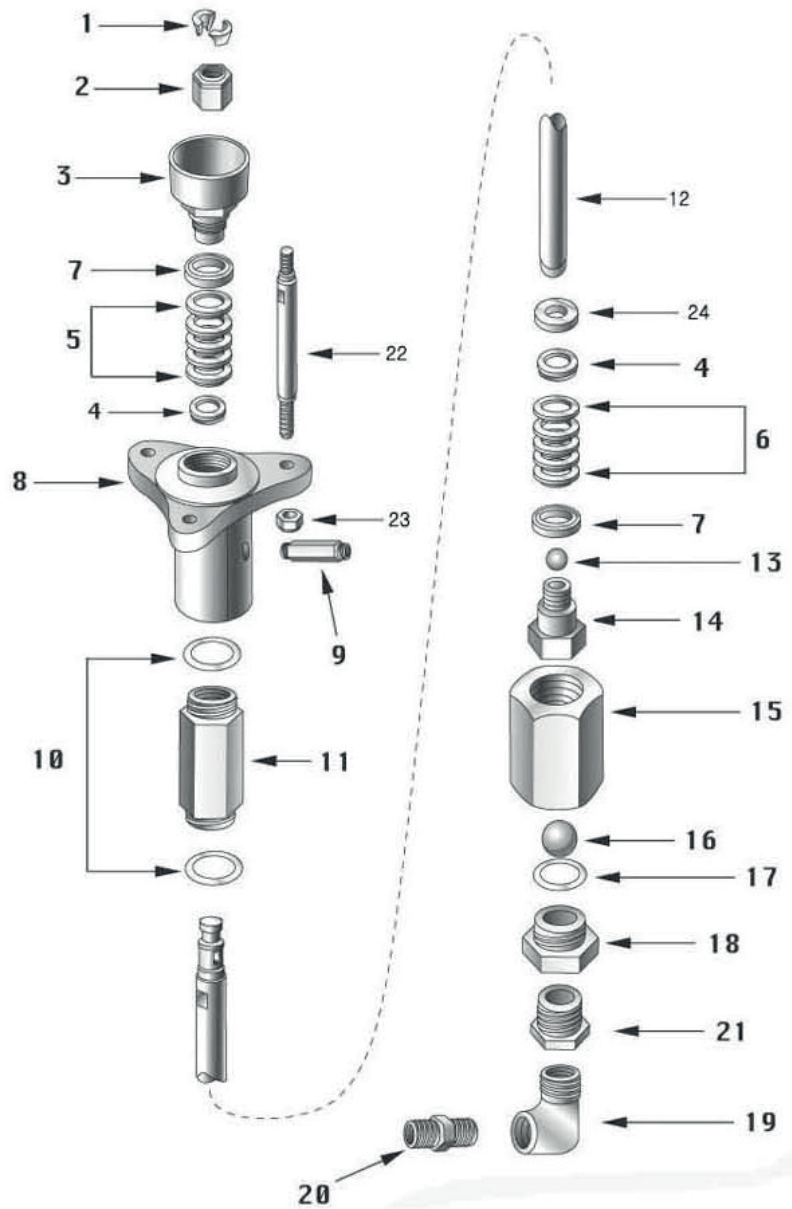


STEEL VERSION 63:1

CODE	POS.	DESCRIPTION	PRICE
H45200		Complete pump	
45201	1	Nut	
45202	2	Coupling	
45203	3	Packing nut	
45204	4	Gland F	
45205	5	PTFE gasket	
45206	6	Leather gasket	
45207	7	Tie rod	
45208	8	Gland M	
45209	9	PTFE nut	
45210	10	Housing	
45211	11	Gasket	
45212	12	Sleeve	
45213N	13	Displacement rod	
45215	15	Ball 7/8"	
45216	16	Washer	
45217	17	Ball seat	
45218	18	Spacer	
45219	19	Pin	
45220	20	O-ring	
45221	21	Ball 1 1/4"	
45222	22	Ball guide	
45223	23	Intake housing	
45224	24	Tube	
45225	25	Nipple 1" x 1"	
45226	26	Nipple 1" x 3/4"	

CODE	POS.	DESCRIPTION	PRICE
H63200		Complete pump	
45201	1	Nut	
45202	2	Coupling	
63203	3	Packing nut	
63204	4	Gland F	
63205	5	PTFE gasket	
63206	6	Leather gasket	
45207	7	Tie rod	
63208	8	Gland M	
45209	9	PTFE nut	
63210	10	Housing	
63211	11	Gasket	
63212N	12	Sleeve	
63213N	13	Displacement rod	
45215	15	Ball 7/8"	
63216	16	Washer	
63217	17	Ball seat	
63218	18	Spacer	
63219	19	Pin	
63220	20	O-ring	
45221	21	Ball 1 1/4"	
63222	22	Ball guide	
63223	23	Intake housing	
45224	24	Tube	
45225	25	Nipple 1" x 1"	
45226	26	Nipple 1" x 3/4"	

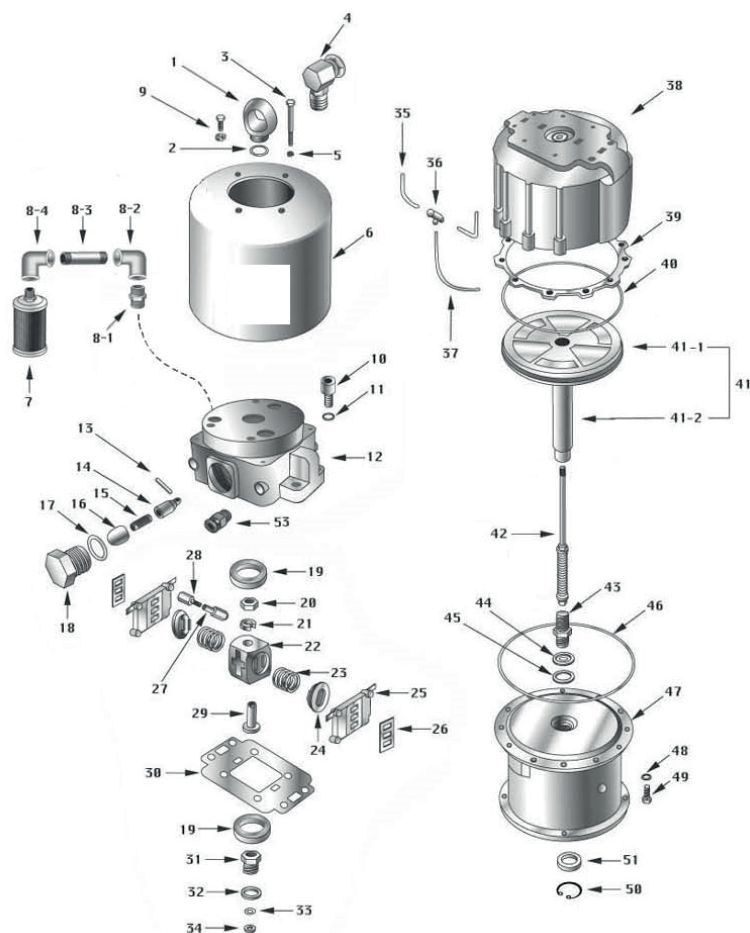
PUMP 45:1 S. STEEL



CODE	POS.	DESCRIPTION	PRICE
H45S200		S. steel complete pump	
45202	1	Coupling	
45201	2	Nut	
45203	3	Packing nut	
45S204S	4	Gland M	
45205	5	PTFE gasket	
45205	6	PTFE gasket	
45S207S	7	Gland F	
45S208S	8	Housing	
45S209S	9	Nipple 3/4 x 3/4	
72210	10	PTFE O-ring	
45S211S	11	Sleeve	
45S212S	12	Piston rod	
45S213S	13	Ball 7/8"	

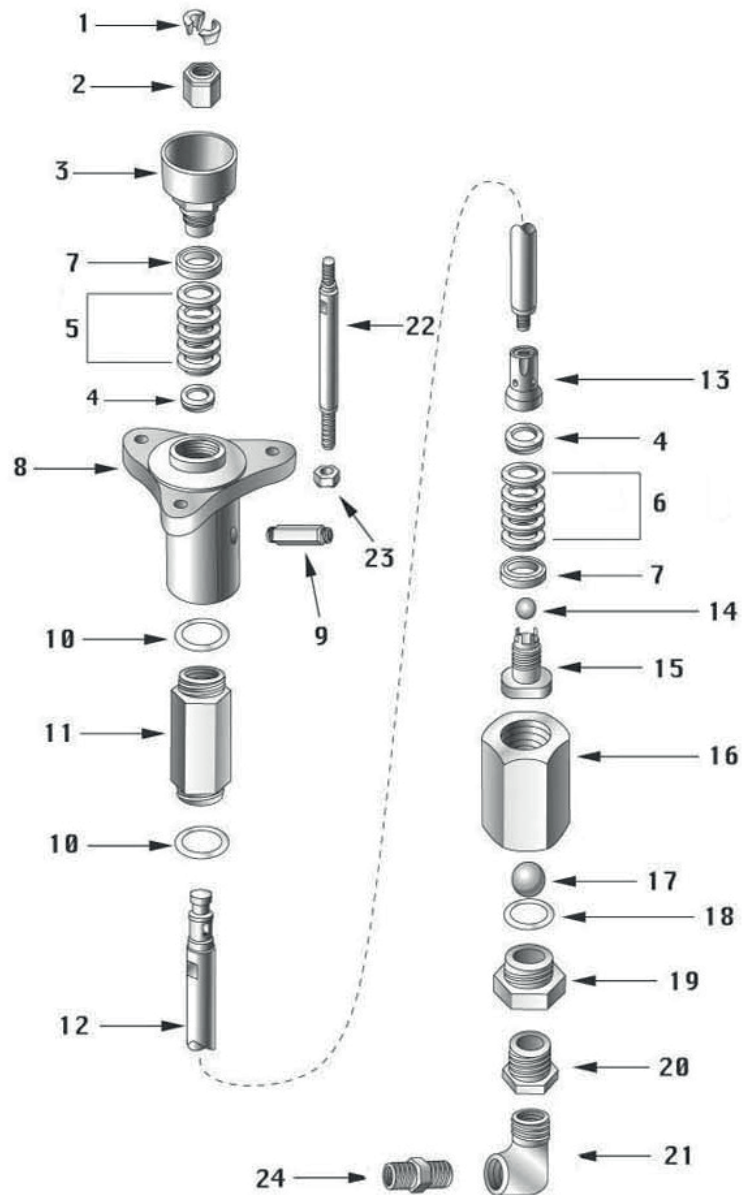
CODE	POS.	DESCRIPTION	PRICE
45S214S	14	Ball seat	
45S215S	15	Intake seat	
45S216S	16	Ball 1 1/4"	
68210	17	PTFE gasket	
45S218S	18	Intake valve	
45S219S	19	Elbow	
45S220S	20	Nipple	
45S221S	21	Reduction	
45207	22	Tie rod	
45209	23	Teflon nut	
45S224S	24	Washer	

AIR MOTOR 68:1



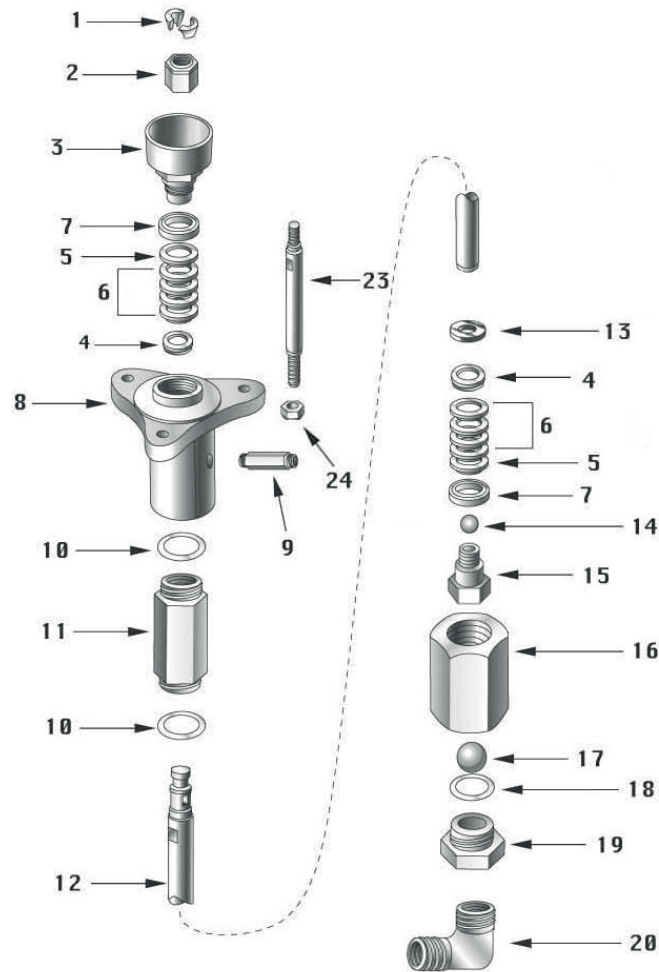
CODE	POS.	DESCRIPTION	PRICE	CODE	POS.	DESCRIPTION	PRICE
68101	1	Pin		68127	27	Nut	
68102	2	O-ring		68128	28	Screw	
68103	3	Screw		68129	29	Hub	
45102	4	Elbow fitting		68130	30	Gasket	
68105	5	Washer		68131	31	Bearing	
68106	6	Shield		45133	32	Copper gasket	
68107	7	Silencer		45134	33	Leather gasket	
68108	8	Silencer connector set		68134	34	V-Packing	
68109	9	Screw and washer		68135	35	Hose 4x6	
68110	10	Screw		68136	36	T-fitting	
68111	11	Washer		68137	37	Hose 4x6	
68112	12	Seat		68138	38	Cylinder	
68113	13	Pin		45137	39	Rubber gasket	
68114	14	Spring seat		45138	40	O-ring piston	
68115	15	Spring		45139	41	Complete piston	
68116	16	Guide		68142	42	Piston rod set	
68117	17	O-ring		68143	43	Fitting	
68118	18	Cap		45142	44	U Gasket	
68119	19	Ring		45143	45	Gasket	
68120	20	Nut		45144	46	Rubber o-ring	
68121	21	Washer		45145	47	Air motor base	
68122	22	Valve seat		45148	48	Washer	
68123	23	Spring		45149	49	Screw	
68124	24	Valve		45150	50	Snap ring	
68125	25	Support		45147	51	Gasket	
45123	26	Gasket		68153	53	Rapid fitting	

PUMP 68:1 S. STEEL



CODE	POS.	DESCRIPTION	PRICE	CODE	POS.	DESCRIPTION	PRICE
H68S200		S. Steel pump complete		68S214S	14	Ball 19mm	
45202	1	Coupling		68S215S	15	Ball seat	
45201	2	Nut		68S216S	16	Intake housing	
68203	3	Locking ring		45S216S	17	Ball 1 1/4"	
68S204S	4	Gland M		68210	18	PTFE gasket	
68205	5	PTFE packing		45S218S	19	Suction valve	
68205	6	PTFE packing		45S221S	20	Bushing	
68S207S	7	Gland F		45S219S	21	Elbow	
68S208S	8	Pump housing		68222	22	Tie rod	
68S209S	9	Nipple 3/4 x 3/4		68223	23	Teflon nut	
68210	10	Teflon gasket		45S220S	24	Nipple	
68S211S	11	Sleeve					
68S212S	12	Piston rod					
68S213S	13	Seat					

PUMP 56:1 / 73:1 STEEL



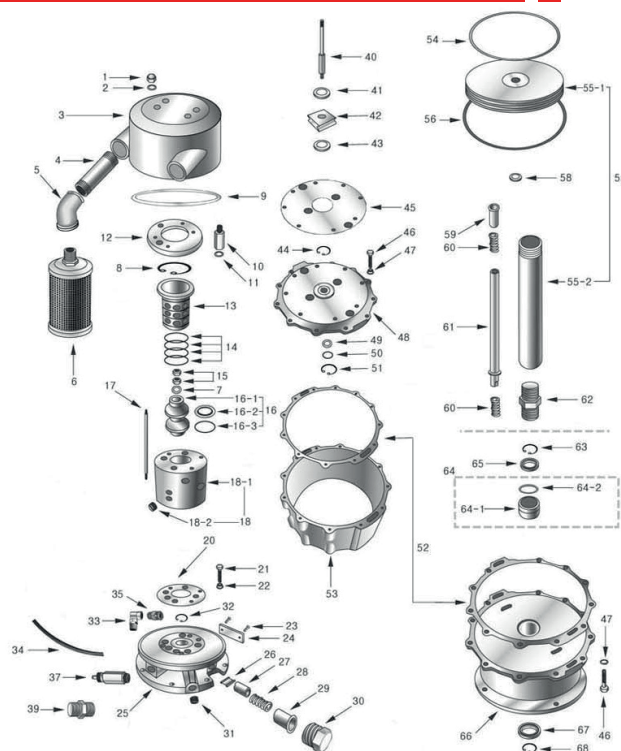
STEEL VERSION 56:1

STEEL VERSION 73:1

CODE	POS.	DESCRIPTION	PRICE
H45D200		Complete pump	
45202	1	Nut	
45201	2	Coupling	
45203	3	Locking ring	
45208	4	Gland M	
45205	5	PTFE Gasket	
45206	6	Leather Gasket	
45207	7	Gland F	
72208-45D	8	Pump housing	
68209	9	Nipple 3/4" x 3/4"	
72210	10	PTFE O-ring	
72211N-45D	11	Sleeve	
45213N	12	Piston rod	
45216	13	Washer	
45215	14	Ball 7/8"	
45217	15	Ball seat	
72216	16	Intake housing	
45221	17	Ball 1 1/4"	
68210	18	PTFE Gasket	
68219	19	Intake valve	
45224-A	20	Elbow	
72223	23	Tie rod	
45209	24	Teflon nut	

CODE	POS.	DESCRIPTION	PRICE
H63D200		Complete pump	
45202	1	Nut	
45201	2	Coupling	
63203	3	Locking ring	
63208	4	Gland M	
63205	5	PTFE Gasket	
63206	6	Leather Gasket	
63204	7	Gland F	
72208	8	Pump housing	
68209	9	Nipple 3/4" x 3/4"	
72210	10	PTFE O-ring	
72211N	11	Sleeve	
63213N	12	Piston rod	
63216	13	Washer	
45215	14	Ball 7/8"	
63217	15	Ball seat	
72216	16	Intake housing	
45221	17	Ball 1 1/4"	
68210	18	PTFE Gasket	
68219	19	Intake valve	
45224-A	20	Elbow	
72223	23	Tie rod	
45209	24	Teflon nut	

AIR MOTOR 56:1 / 73:1



CODE	POS.	DESCRIPTION	PRICE	CODE	POS.	DESCRIPTION	PRICE
72101	1	Cap		72134	34	PU hose	
72102	2	Washer		68153	35	Nipple	
72103-A	3	Shield		A70040	37	Air safety valve	
68108-3	4	Pipe		G74002	38	Nipple	
45505	5	Elbow		45225	39	Nipple	
68107	6	Silencer		72140	40	Control axle	
A70002	7	Washer		72151	41	A Gasket	
A70003	8	Seager		72142	42	Guide	
72109-A	9	O-ring		72143	43	B Gasket	
72110	10	Nut		72144	44	Seager	
72111	11	Washer		72145-A	45	Gasket	
72112	12	Cover plate		68110	46	Screw	
72113	13	Control cylinder		68111	47	Lock washer	
72114	14	O-ring		72148	48	Cylinder cover	
72115	15	Nut		72149	49	U Gasket	
72116	16	Spool assembly		72150	50	Gasket	
72117	17	Stud bolt		72132	51	Seager	
72118	18	Housing set		72152	52	Gasket	
72120	20	Gasket		72153	53	Cylinder	
72121	21	Screw		72154	54	O-ring	
45607-1	22	Washer		72155	55	Complete piston	
17126	23	Screw		72156	56	Piston o-ring	
72124	24	Plate		72158	58	Spacer	
72125	25	Manifold		72159	59	Spring guide	
72126	26	Toggle joint		72160	60	Spring	
72127	27	Bearing		72161C	61	Rod	
72128	28	Spring		72162	62	Fitting	
72129	29	Cylinder		72163	63	Seager	
72130	30	Cap		72164	64	Guide bush assembly	
72131	31	Nut		72165	65	U Gasket	
72132	32	Seager		72166	66	Base	
72133	33	Fitting		45147	67	Gasket	

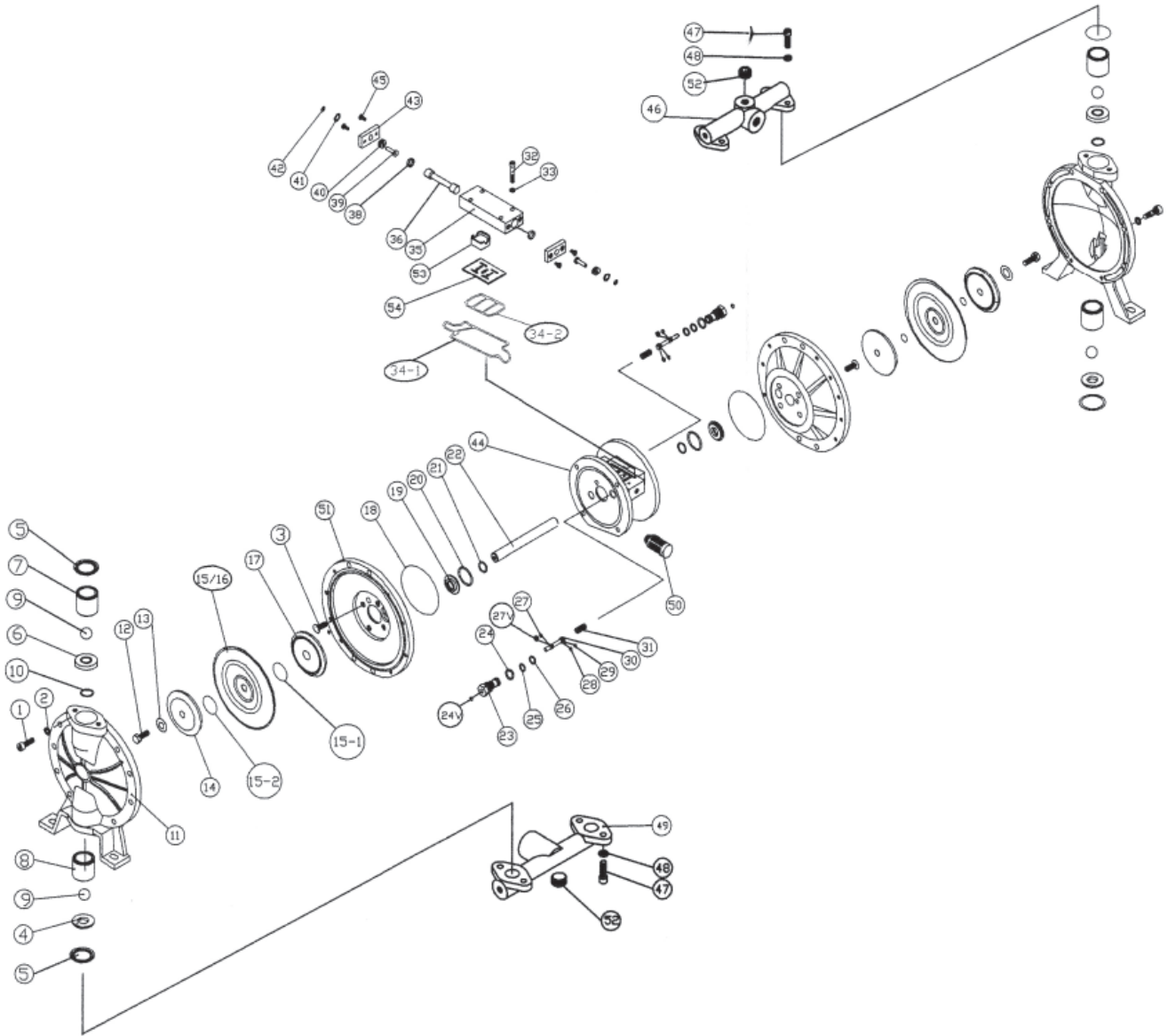
OTS ELECTROSTATIC GUN



OTS ELECTROSTATIC GUN

POS.	CODICE	DESCRIZIONE	PREZZO
	30BGA00	GUN BARREL UNIT (COMPLETE)	
1	30BGA01	Gun Barrel	
2	30BGA02	Paint Tube Connector-A	
3	30BGA03	Paint Tube Connector-B	
4	30BGA04	Paint Tube Connector-C	
5	30BGA05	O-ring (Paint Tube Connector-C)	
6	30BGA06	FRP Air tube	
7	30BGA067	O-ring	
	30BGB00	HAMMER UNIT (COMPLETE)	
8	30BGB08	Hammer Front Seat	
9	30BGB09	Conducting ring (Hammer Seat)	
10	30BGB10	Hammer seat	
11	30BGB11OR2	Conducting O-Ring2 (Hammer Seat)	
12	30BGB12	Hammer	
13	30BGB13	Teflon Seat	
14	30BGB14OR1	O-Ring (Teflon Seat)	
15	30BGB15	Hammer Stud-A	
16	30BGB16OR1	O-Ring (Hammer Stud-A)	
17	30BGB17OR1	O-Ring (Hammer Stud-A)	
18	30BGB18	Hammer Stud-B	
19	30BGB19OR2	O-Ring (Hammer Stud-B)	
20	30BGB20	Spring-A	
21	30BGB21	Spring-B	
22	30BGB22	Spring Seat	
23	30BGB23	Hammer Stud-C	
	30BGC00	HOOK UNIT (COMPLETE)	
24	30BGC24	Hook Unit	
25	30BGC25OR1	Teflon O-Ring (Throttle Seat)	
26	30BGC26	Throttle Seat	
27	30BGC27	Throttle Top Rod	
28	30BGC28	Spring	
29	30BGC29OR1	O-Ring(Air Flow Paint Regulating Knob)	
30	30BGC30	Paint Regulating Knob	
31	30BGC31	M4 Hexa-head Screw (A)	
32	30BGC32	Air Flow Regulating Knob (ROUND Nozzle)	
33	30BGC33	Hexa-head screw+Bolt (B)	
34	30BGC34	Hexa-head screw+Bolt (C)	
36	30BGC36	Air Flow Regulating Knob (ROUND nozzle)	
35	30BGC35	M5 Hexa-head Screw	
	30BGD00	HANDLE UNIT (COMPLETE)	
38	30BGD38	Handle	
41	30BGD41	Paint Tube Holding Clip	
42	30BGD42	Hexa-head Screw+Bolt (B)	
	30BGE00	TRIGGER UNIT (COMPLETE)	
43	30BGE43	Trigger	
44	30BGE44	Washer	
45	30BGE45	Collar	
46	30BGE46	Outer Hexa-head Screw+Bolt	
47	30BGE47	Collar	
48	30BGE48	Screw stud+nut	
52	30BGE52	HV Cable Connector	
53	30BGE53	Conductivity Set	
54	30BGE54	electrode Bar	
55	30BGE55	Teflon busher	
56	30BGE56	O ring	
57	30BGE57	Teflon connector	

VAPA15U - VS 36



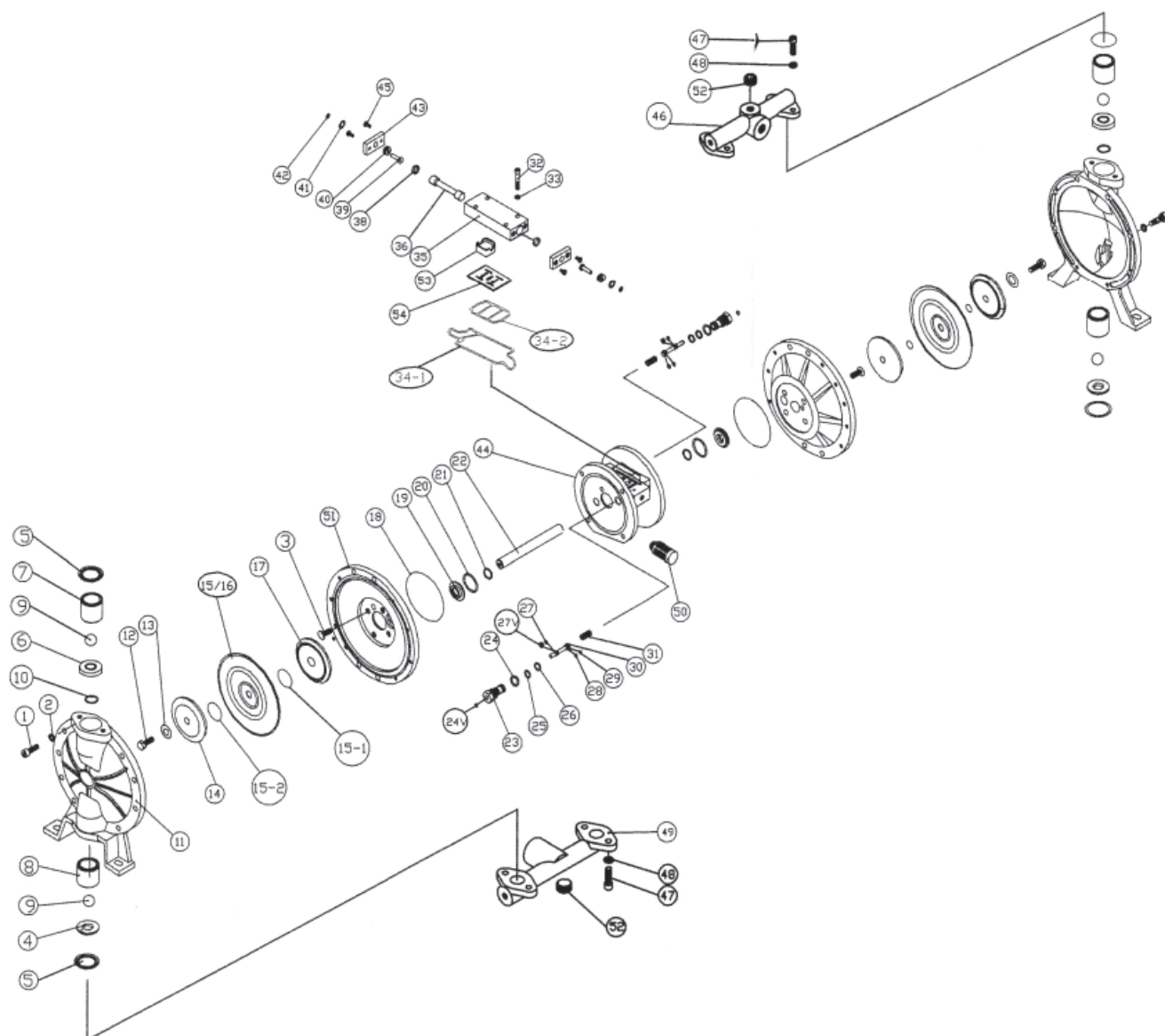
CODE	POS.	DESCRIPTION	PRICE
PC0102	1	Screw	
PC0041	2/33	Washer	
PC0004	3	Screw	
PA0009	4	Intake valve seat	
PB0108	5*	O-ring PTFE	
PA0009	6	Compression valve seat	
PA0133	7	Compression valve guide	
PA0134	8	Intake ball guide	
PA0004	9	Ball	
PB0006	10*	PTFE Gasket	
PA0039	11	Flange	
PC0025	12	Screw	
PC0057	13	Washer	
PA0055	14/17	Membrane pad	
PB0029	15*	Membrane	
PD0001	15-1*	O-ring	
PB0001	15-2*	O-ring PTFE	

CODE	POS.	DESCRIPTION	PRICE
PD0011	18	O-ring	
PB0175	19	Shaft guide	
PD0007	20	O-ring	
PD0003	21	O-ring	
PA0082	22	Shaft	
PD0002	24V	Complete valve	
PC0005	32	Screw	
PD0140	34-1	Gasket	
PD0139	34-2	Gasket	
PA0103	35	Exchanger	
PA0122	46/49	Discharge / Feeding pipe	
PC0001	47	Screw	
PC0042	48	Washer	
PB0046	50	Silencer	
PA0200	51	Inside flange	
PB0066	53	Exchanger slide	
PB0072	54	Exchanger plate	

15K010

*Repair kit complete with: PB0029x2 - PB0006x2 - PB0108x4 - PB0001x2 - PD0001x2

VAPA20U - VS 50

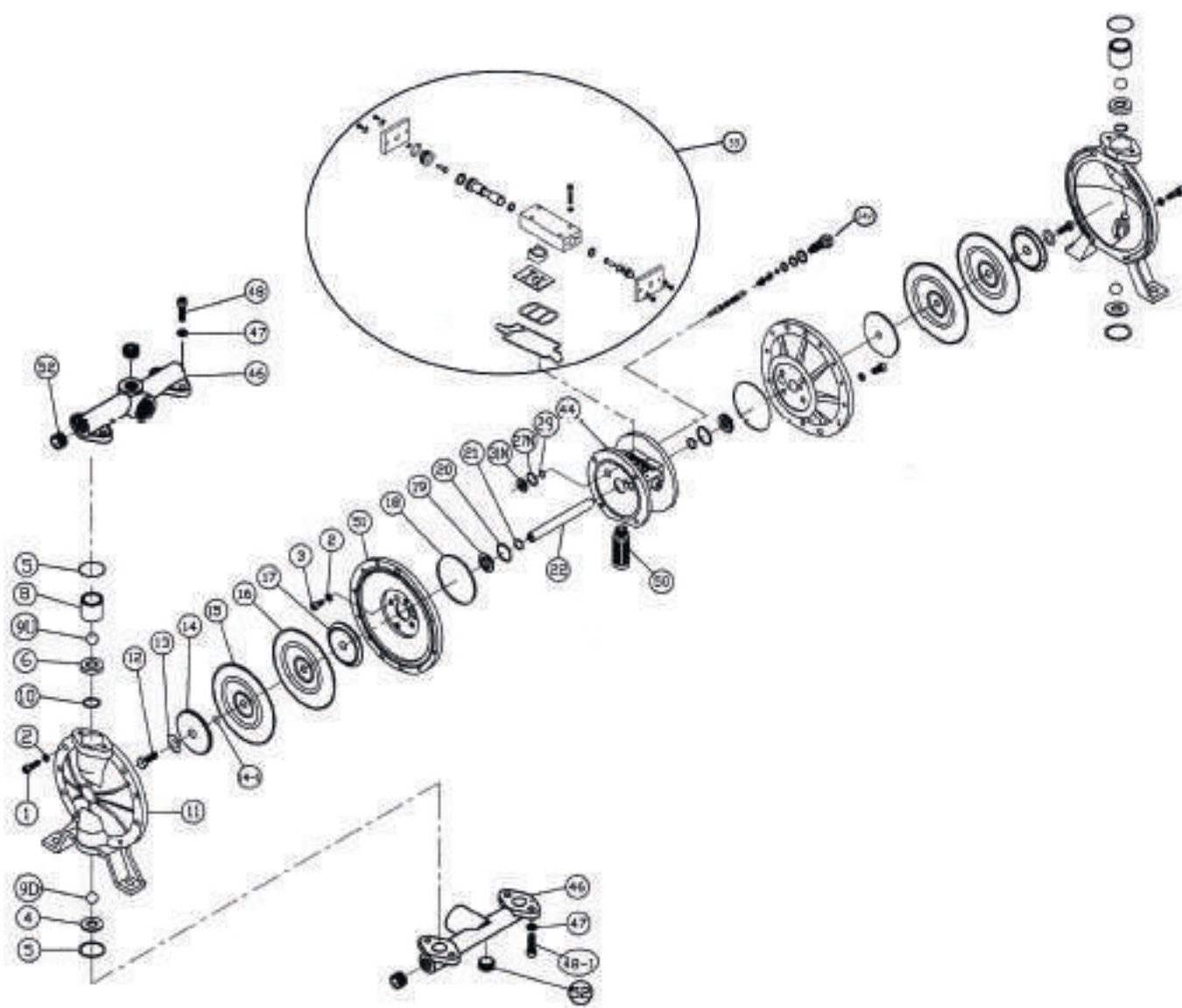


CODE	POS.	DESCRIPTION	PRICE
PC0001	1	Screw	
PC0042	2/47	Washer	
PC0004	3	Screw	
PA0014	4	Intake valve seat	
PB0083	5*	O-ring PTFE	
PA0026	6	Compression valve seat	
PB0128	7	Compression valve guide	
PB0129	8	Intake ball guide	
PA0001	9	Ball	
PB0013	10*	PTFE Gasket	
PA0047	11	Flange	
PC0025	12	Screw	
PC0057	13	Washer	
PA0055	14/17	Membrane pad	
PB0032	15*	Membrane	
PD0001	15-1*	O-ring	
PB0001	15-2*	O-ring PTFE	
20K010			

CODE	POS.	DESCRIPTION	PRICE
PD0011	18	O-ring	
PB0175	19	Shaft guide	
PD0007	20	O-ring	
PD0003	21	O-ring	
PA0086	22	Shaft	
PD0002	24V	Complete valve	
PC0005	32	Screw	
PC0041	33	Washer	
PD0140	34-1	Gasket	
PD0139	34-2	Gasket	
PA0103	35	Exchanger	
PA0131	46/49	Discharge / Feeding pipe	
PC0066	48	Screw	
PB0046	50	Silencer	
PA0197	51	Inside flange	
PB0066	53	Exchanger slide	
PB0072	54	Exchanger plate	

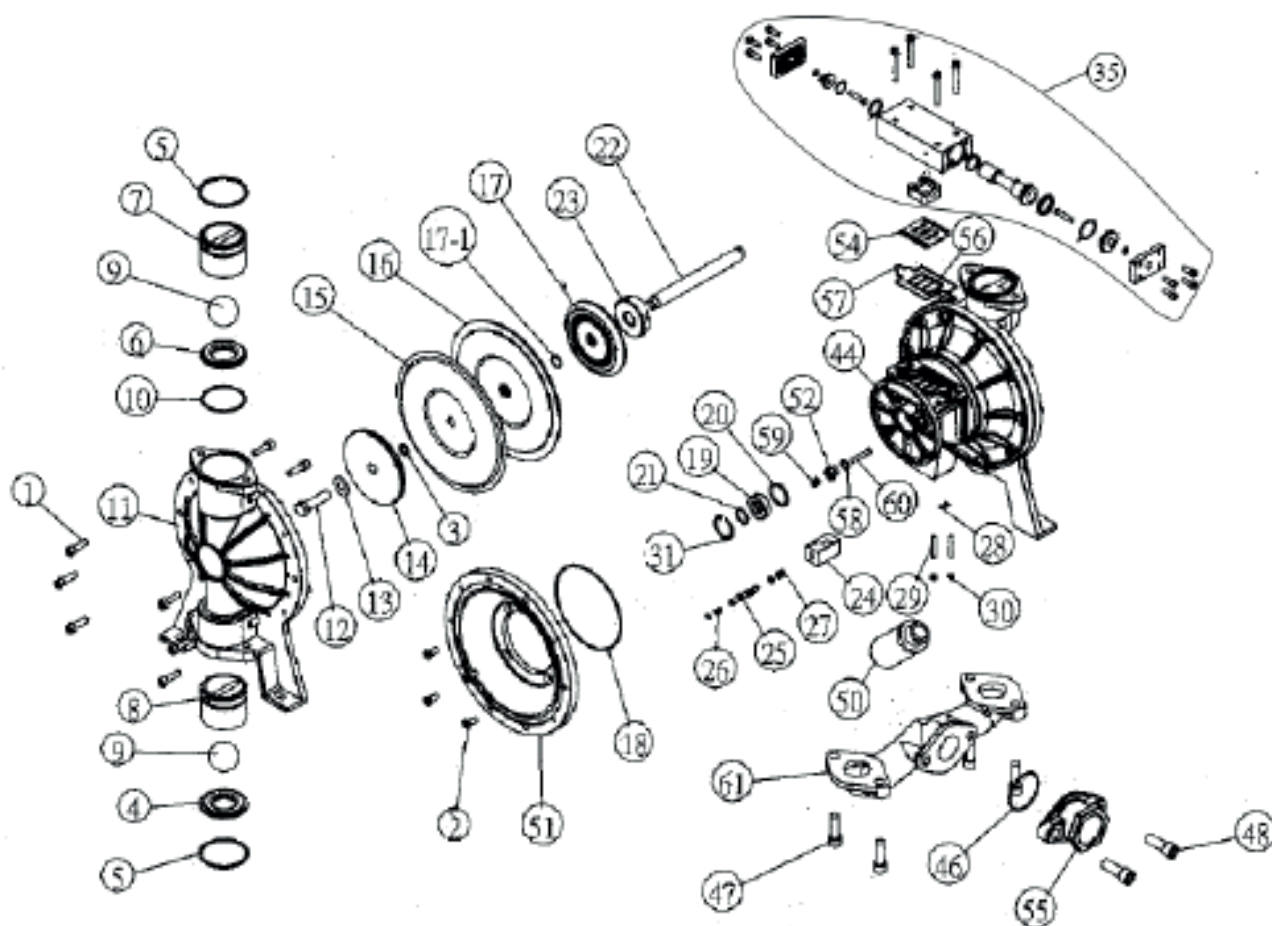
*Repair kit complete with: PB0032x2 - PB0013x2 - PB0083x4 - PB0001x2 - PD0001x2

VAPA31U



CODE	POS.	DESCRIPTION	PRICE	CODE	POS.	DESCRIPTION	PRICE	
31U001	1	Hexagon screw		31U018	18	PTFE Gasket		
31U002	2	Washer		31U019	19	Shaft guide		
31U003	3	Hexagon screw		31U020	20	O-ring		
31U004	4	Intake valve seat		31U021	21	O-ring		
31U005	5*	O-ring PTFE		31U122	22	Shaft		
31U006	6	Compression valve seat		31U24V	24V	Complete valve		
31U008	8	Compression valve guide		31U27N	27N	O-ring		
31U09D	9D	Upper ball		31U029	29	O-ring		
31U09U	9U	Lower ball		31U31N	31N	Valve guide		
31U010	10*	PTFE o-ring		31U035	35	Complete exchanger		
31U011	11	Flange		31U044	44	Pump body		
31U012	12	Screw		31U046	46	Discharge / Feeding pipe		
31U013	13	Washer		31U047	47	Washer		
31U014	14	Outer pad		31U048	48	Hexagon screw		
31U141	14-1*	O-ring PTFE		31U481	48-1	Hexagon screw		
31U015	15*	Membrane		31U049	49	Inlet fitting		
31U016	16*	Inside membrane		31U050	50	Silencer		
31U017	17	Inside pad		31U052	52	Connector		
31K010		*Repair kit complete with: 31U005x4 - 31U010x2 - 31U0141x2 - 31U015x2 - 31U016x2						

VAPA40U0



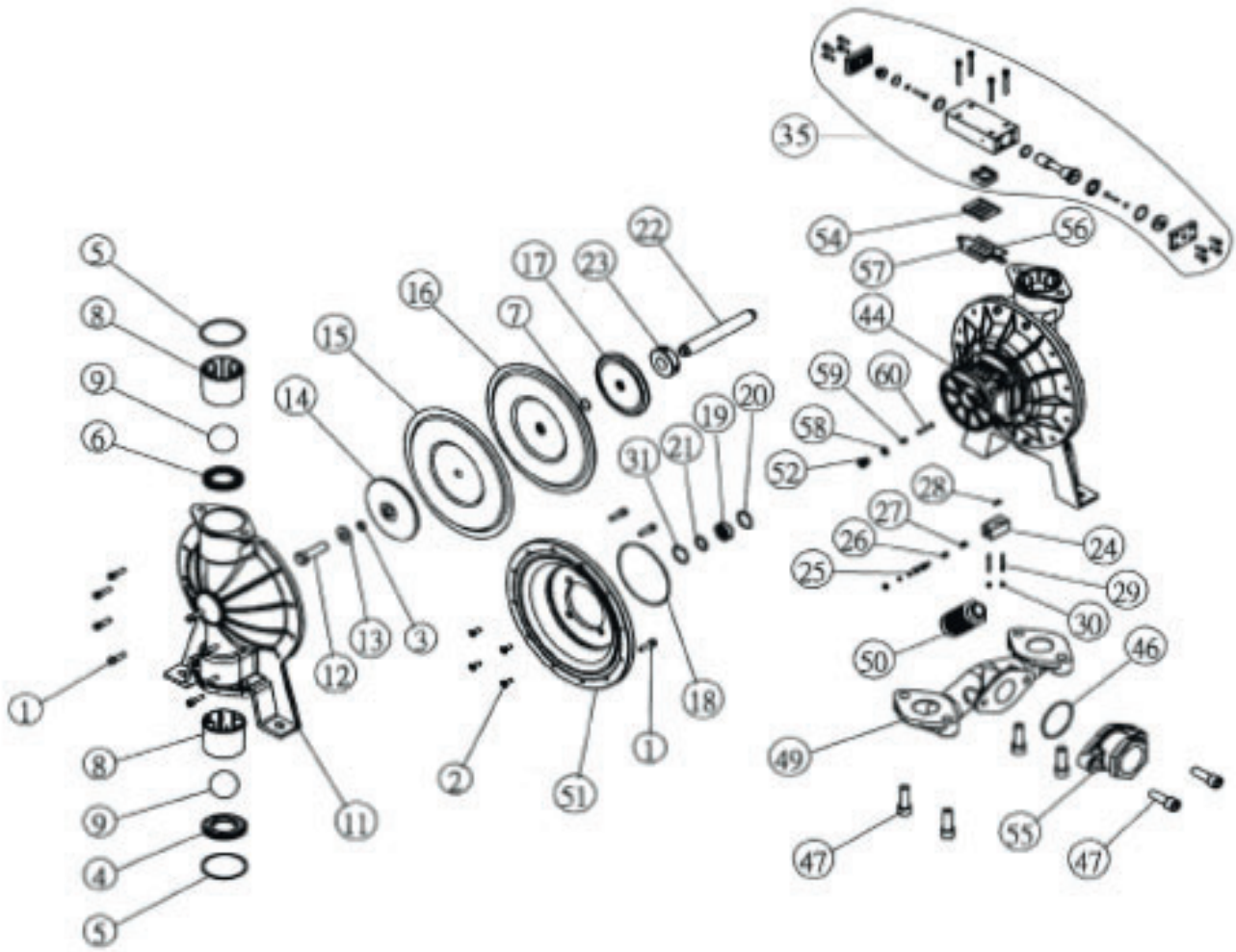
CODE	POS.	DESCRIPTION	PRICE
40U001	1	Hexagon screw	
40U002	2	Hexagon screw	
40U003	3*	Washer	
40U004	4	Lower ball seat	
40U005	5*	PTFE o-ring	
40U006	6	Upper ball seat	
40U007	7	Upper ball cage	
40U008	8	Lower ball cage	
40U009	9	Ball	
40U010	10*	O-ring	
40U011	11	Flange	
40U012	12	Screw	
40U013	13	Washer	
40U014	14	External pad	
40U015	15*	Membrane	
40U016	16*	Inside membrane	
40U017	17	Inside pad	
40U171	17-1*	O-ring	
40U018	18	O-ring	
40U019	19	Valve guide	
40U020	20	O-ring	
40U021	21	O-ring	
40U022	22	Pump shaft	
40U023	23	Shaft guide	
40U024	24	Exchange valve seat	

CODE	POS.	DESCRIPTION	PRICE
40U025	25	Exchange valve body	
40U026	26	O-ring	
40U027	27	O-ring	
40U028	28	O-ring	
40U029	29	Hexagon screw	
40U030	30	Nut	
40U031	31	Locking ring	
40U035	35	Complete exchanger	
40U044	44	Pump body	
40U046	46	O-ring	
40U047	47	Hexagon screw	
40U048	48	Hexagon screw	
40U049	49	Feeding pipe	
40U050	50	Silencer	
40U051	51	Inside flange	
40U052	52	Valve nut	
40U054	54	Exchanger plate	
40U055	55	Tube connector	
40U056	56	internal o-ring	
40U057	57	External o-ring	
40U058	58	O-ring	
40U059	59	O-ring	
40U060	60	Pin	
40U061	61	Discharge pipe	

40K010

*Repair kit complete with: 40U005x4 - 40U010x2 - 40U0171x2 - 40U015x2 - 40U016x2 - 40U003x2

VAPA50U



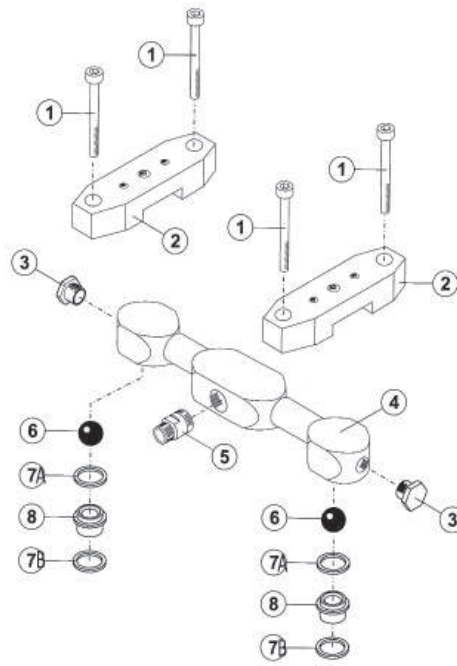
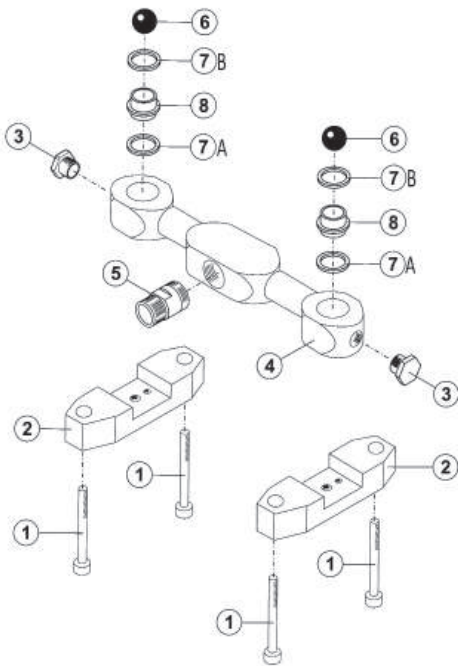
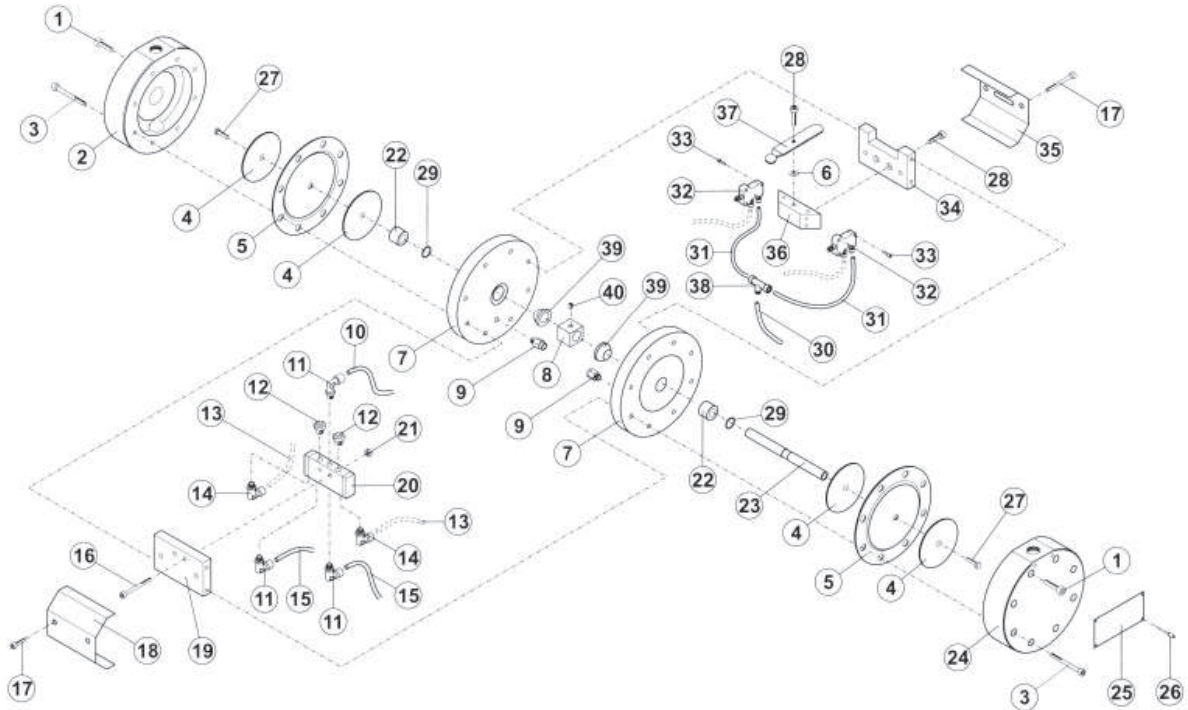
CODE	POS.	DESCRIPTION	PRICE
50U001	1	Hexagon screw	
50U002	2	Hexagon screw	
50U003	3*	Washer	
50U004	4	Lower ball seat	
50U005	5*	O-ring teflon	
50U006	6	Upper ball seat	
50U007	7*	O-ring	
50U008	8	Ball cage	
50U009	9	Ball	
50U011	11	Flange	
50U012	12	Screw	
50U013	13	Washer	
50U014	14	External pad	
50U015	15*	Membrane	
50U016	16*	Inside membrane	
50U017	17	Inside pad	
50U018	18	O-ring	
50U019	19	Valve guide	
50U020	20	O-ring	
50U021	21	O-ring	
50U022	22	Pump shaft	
50U023	23	Shaft guide	
50U024	24	Exchange valve seat	

CODE	POS.	DESCRIPTION	PRICE
50U025	25	Exchange valve body	
50U026	26	O-ring	
50U027	27	O-ring	
50U028	28	O-ring	
50U029	29	Hexagon screw	
50U030	30	Nut	
50U031	31	Locking ring	
50U035	35	Complete exchanger	
50U044	44	Pump body	
50U046	46	O-ring	
50U047	47	Hexagon screw	
50U048	48	Feeding pipe	
50U049	49	Discharge pipe	
50U050	50	Silencer	
50U051	51	Inside flange	
50U052	52	Valve nut	
50U054	54	Exchanger plate	
50U055	55	Tube connector	
50U056	56	internal o-ring	
50U057	57	External o-ring	
50U058	58	O-ring	
50U059	59	O-ring	
50U060	60	Pin	

50K010

*Repair kit complete with: 50U005x4 -50U007x2 - 50U003x2 - 50U015x2 -50U016x2 - 50U003x2

VS 25



POS.	CODE	PRICE
1	VTBR855	
2	25102	
4	25104	
5	153434	
6	490025	
7A*	25107A	
7B*	25107B	
8	25108	

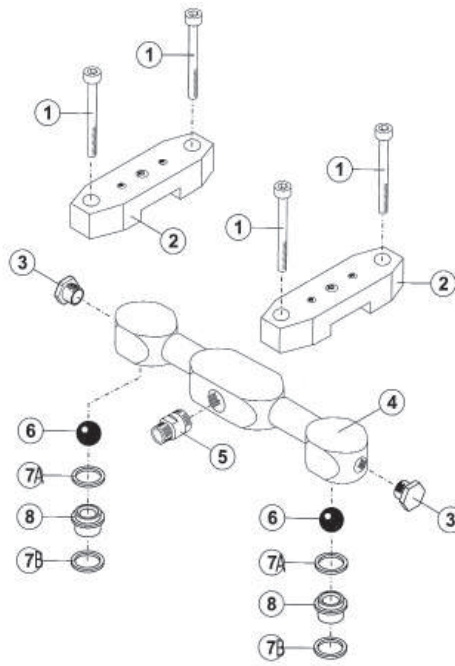
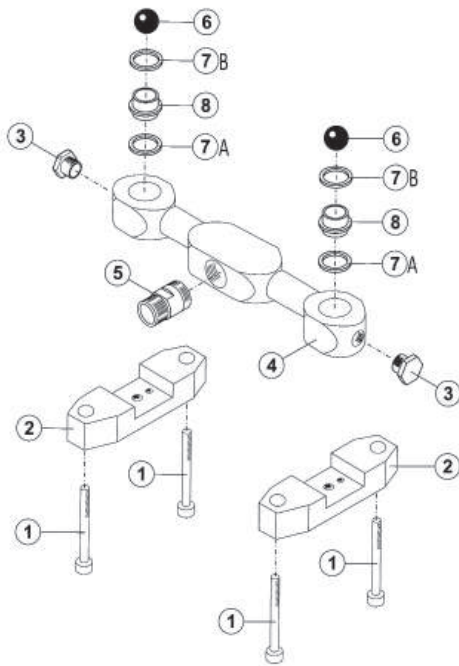
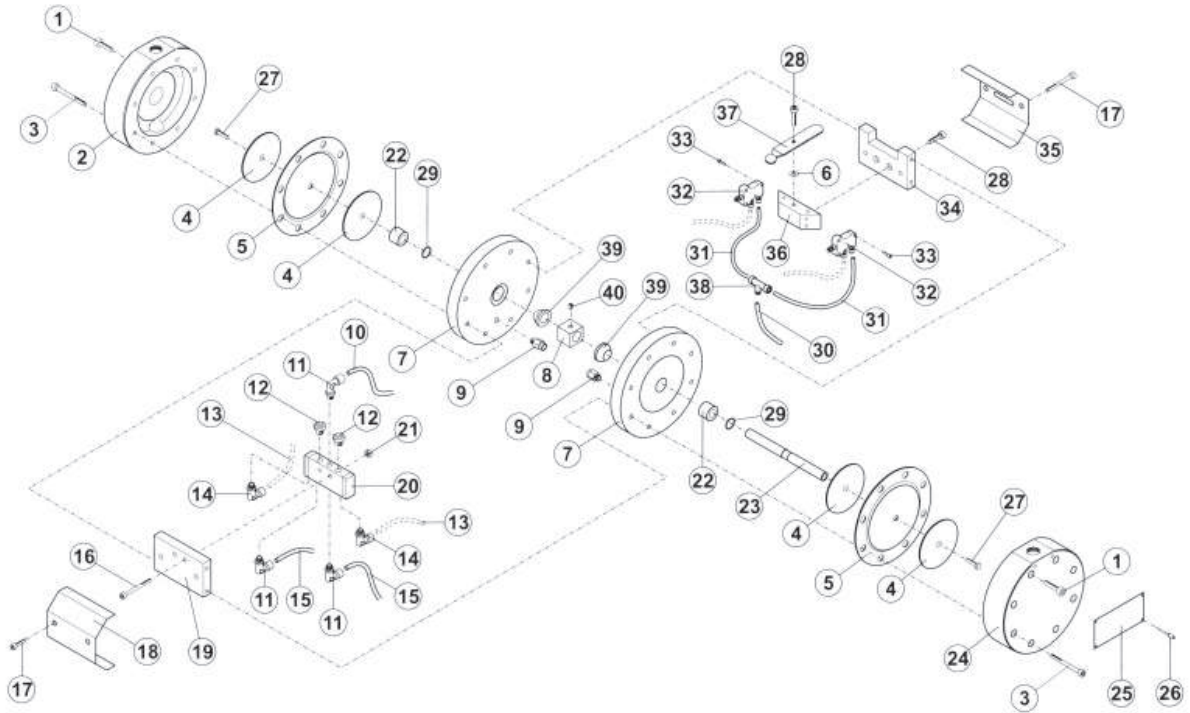
POS.	CODE	PRICE
1	VTBR855	
2	25102	
4	25104	
5	153834	
6	490025	
7A*	25107A	
7B*	25107B	
8	25108	

CODE	POS.	DESCRIPTION	PRICE
VTBR645	1	Allen screw M6 x 45	
25002	2	Left external flange	
VTBR660	3	Allen screw M6 x 60	
25004	4	Membrane pad in s. steel	
25005	5*	Membrane	
25007	7	Internal flange	
25008	8	Switch lock	
110618	9	Straight fitting 1/8" 6x4	
119618	11	Fitting 1/8" 90° 6x4	
SL18	12	Silencer 1/8	
119418	14	Fitting 1/8 90° 4x2	
VTBR535	16	Allen screw M5x35	
VTBR510	17	Allen screw M5x10	
25018	18	Body cover	
25019	19	Valve support	
3634	20	Exchange valve 1/8 - 5 vie	
25K010			

CODE	POS.	DESCRIPTION	PRICE
DB5	21	Self-blocking nut M5	
25022	22	Slider guide	
25023	23	Slider	
25024	24	Right external flange	
VTESX816	27	Allen screw M8x16	
VTBR616	28	Screw M6x16	
3618	29	O-ring guide 614 MACMA	
3615	32	Pin microflow-valve	
VTCR425	33	Cross-head screw M4x25	
25034	34	Switch support	
25035	35	Body cover	
25036	36	Micro-valve support	
25037	37	Release lever	
TRAP24	38	3-way fitting 4-2	
25039	39	Sensing rod	
GR810	40	Grain M8x10	

*Repair kit complete with: 25005x2 - 25107Ax4 - 25107Bx4

VS 25 INOX



POS.	CODE	PRICE
1	VTBR855	
2	25102INOX	
4	25104INOX	
5	153434	
6	490025	
7A*	25107A	
7B*	25107B	
8	25108	

POS.	CODE	PRICE
1	VTBR855	
2	25102INOX	
4	25104INOXS	
5	153834	
6	490025	
7A*	25107A	
7B*	25107B	
8	25108	

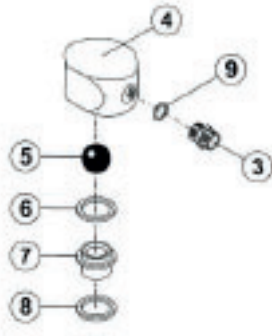
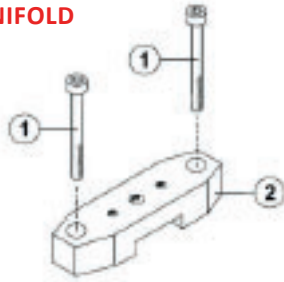
CODE	POS.	DESCRIPTION	PRICE
VTBR645	1	Allen screw M6 x 45	
25002INOX	2	Left external flange s.steel	
VTBR660	3	Allen screw M6 x 60	
25004	4	Membrane pad in s. steel	
25005	5*	Membrane	
25007	7	Internal flange	
25008	8	Switch lock	
110618	9	Straight fitting 1/8" 6x4	
119618	11	Fitting 1/8" 90° 6x4	
SL18	12	Silencer 1/8	
119418	14	Fitting 1/8 90° 4x2	
VTBR535	16	Allen screw M5x35	
VTBR510	17	Allen screw M5x10	
25018	18	Body cover	
25019	19	Valve support	
3634	20	Exchange valve 1/8 - 5 vie	
25K010			

CODE	POS.	DESCRIPTION	PRICE
DB5	21	Self-blocking nut M5	
25022	22	Slider guide	
25023	23	Slider	
25024INOX	24	Right external flange s.steel	
VTESX816	27	Allen screw M8x16	
VTBR616	28	Screw M6x16	
3618	29	O-ring guide 614 MACMA	
3615	32	Pin microflow-valve	
VTCR425	33	Cross-head screw M4x25	
25034	34	Switch support	
25035	35	Body cover	
25036	36	Micro-valve support	
25037	37	Release lever	
TRAP24	38	3-way fitting 4-2	
25039	39	Sensing rod	
GR810	40	Grain M8x10	

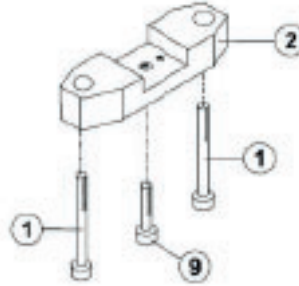
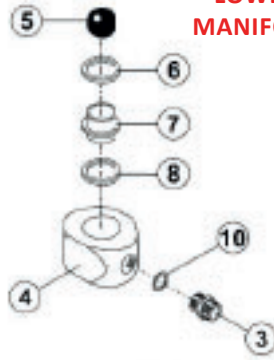
*Repair kit complete with: 25005x2 - 25107Ax4 - 25107Bx4

VS 2B

UPPER MANIFOLD



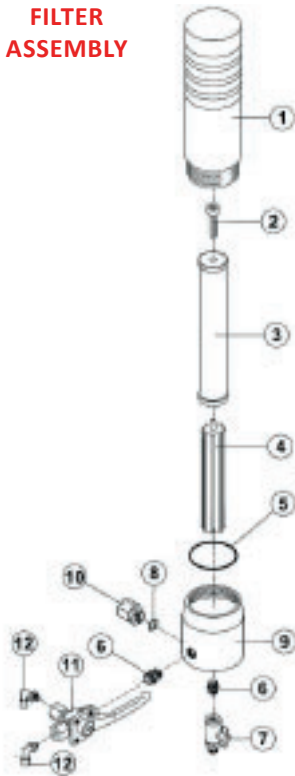
LOWER MANIFOLD



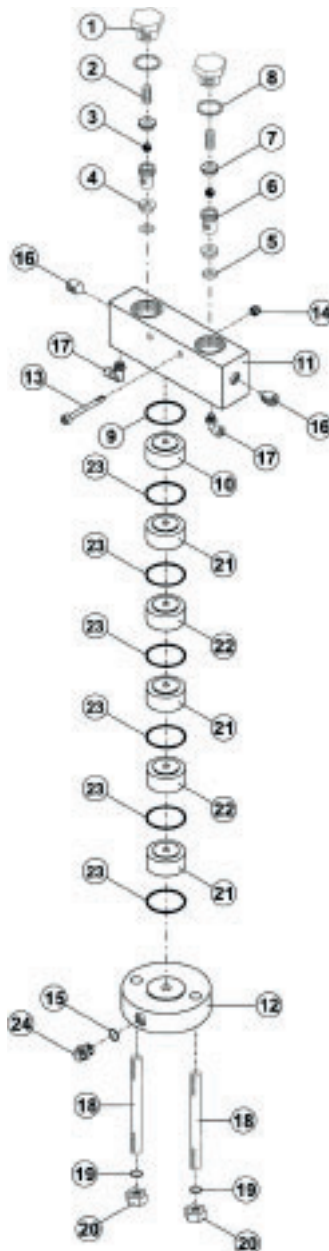
POS.	CODE	PRICE
1	VTBR860	
2	25102	
3	153834	
4	251042B	
5	490025	
6*	25107A	
7	25108	
8*	25107B	

POS.	CODE	PRICE
1	VTBR860	
2	25102	
3	153434	
4	251042B	
5	490025	
6*	25107A	
7	25108	
8*	25107B	

FILTER ASSEMBLY



MIXING GROUP

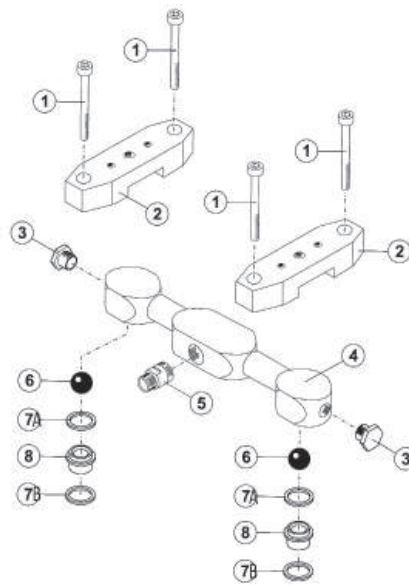
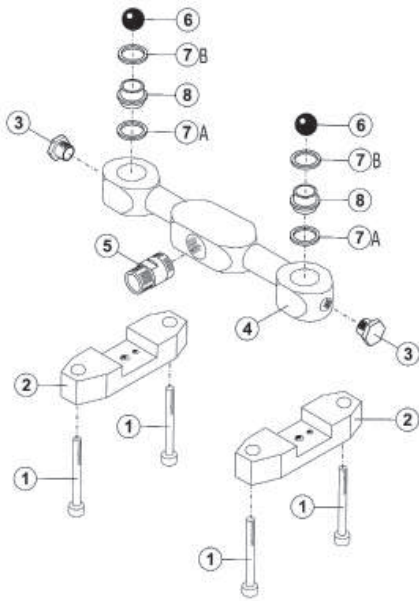
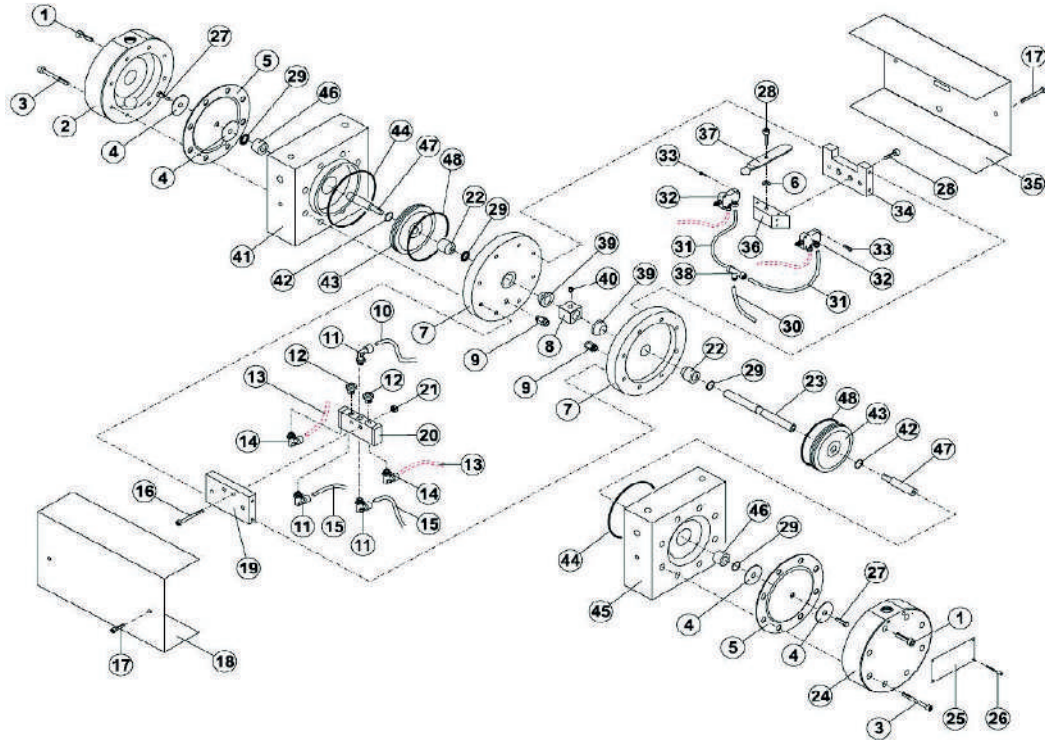


POS.	CODE	PRICE
1	100372B	
2	100382B	
3	100392B	
4	100402B	
5	100412B	
6	100422B	
7	100432B	
8	RR22	
9*	256012B	
10	256022B	
11	256032B	
12	256042B	
13	VTBR645	
14	DB6	
15	155014	
16	GR142B	
17	129814	
18	256052B	
19	RD82B	
20	DB82B	
21	256062B	
22	256072B	
23*	36042B	
24	151414	
25	256002B	

Gasket kit:
2BKM10 256012B x1 and
36042B x6

POS.	CODE	DESCRIPTION	PRICE
	300500	Complete filter without valve	
2/4	30004V	Support with screw	
3	310XXX	Manifold filter	€
5	300502	PTFE Gasket	
6	46150	Nipple	
7	383014	Valve	
8	155014	Washer	
10	173838	Adapter	
11	R3V2B	3-way valve	
12	129814	Rapid fitting	

VS 28 3:1



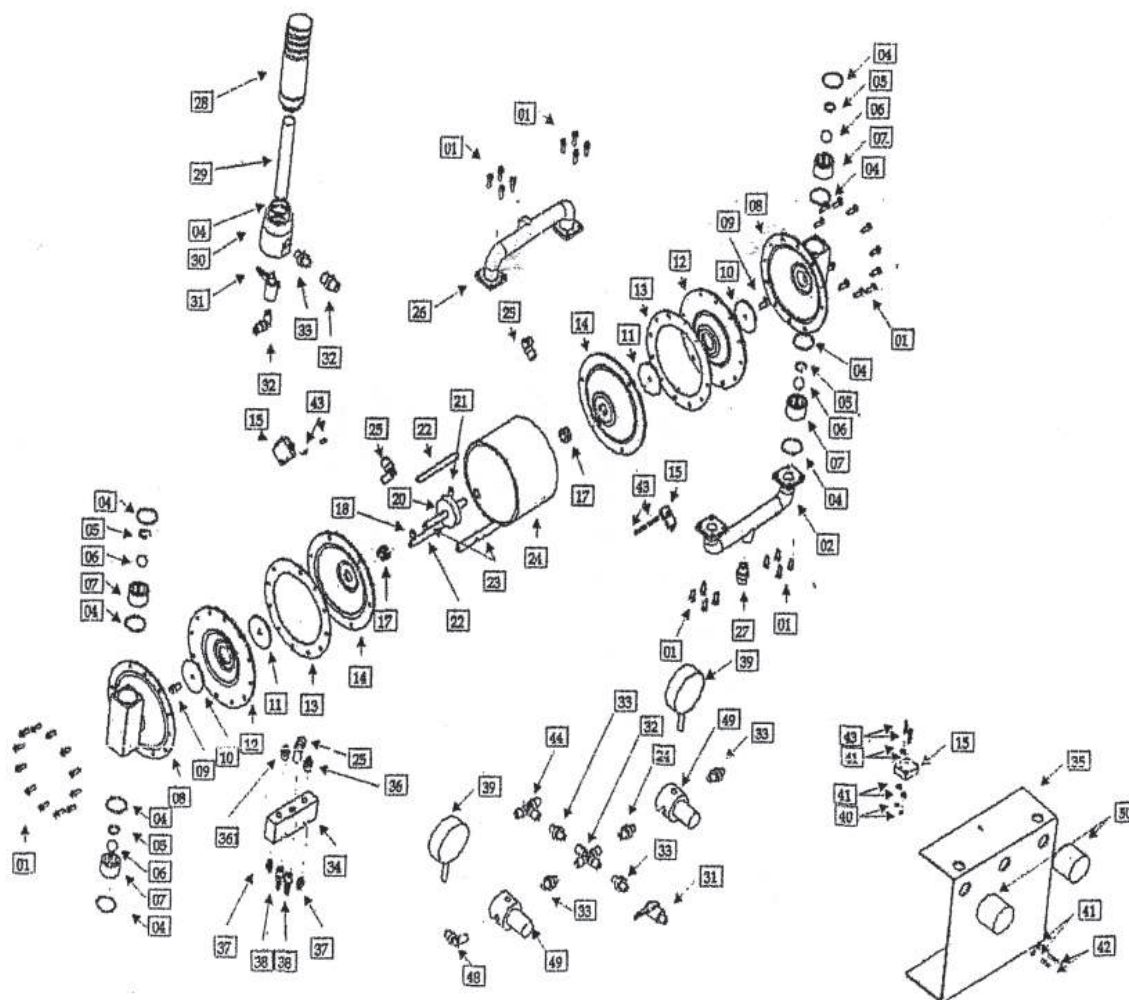
POS.	CODE	PRICE
1	VTBR855	
2	25102L	
4	28104L	
4X	28104X	
6	490025	
7A*	25107A	
7B*	25107B	
8	25108L	

POS.	CODE	PRICE
1	VTBR855	
2	25102L	
4	28104L	
4X	28104X	
6	490025	
7A*	25107A	
7B*	25107B	
8	25108L	

CODE	POS.	DESCRIPTION	PRICE
VTBR645	1	Allen screw M6 x 45	
25002L	2	Left external flange	
VTBR660	3	Allen screw M6 x 60	
28005L	4 / 5	Membrane kit	
RD6L	6	Washer M6	
25007L	7	Internal flange	
25008L	8*	Switch lock	
110618	9	Straight fitting 1/8" 6x4	
119618	11	Fitting 1/8" 90° 6x4	
SL18	12	Silencer 1/8	
119418	14	Fitting 1/8 90° 4x2	
VTBR535	16	Allen screw M5x35	
VTBR510	17	Allen screw M5x10	
28018L	18	Body cover	
25019L	19	Valve support	
3634L	20	Exchange valve 1/8 - 5 vie	
DB5	21	Self-blocking nut M5	
25022L	22	Slider guide	
25023L	23	Slider	
25024L	24	Right external flange	
KMVS28	*Repair kit complete with: 28005Lx2 - 3618Lx6 - 28044Lx2 - 28042Lx2 - 28048Lx2 - 24017Ax4 - 25107Bx4		

CODE	POS.	DESCRIPTION	PRICE
VTESX816	27	Allen screw M8x16	
VTBR616	28	Screw M6x16	
3618L	29*	O-ring guide 614 MACMA	
3615L	32	Pin microflow-valve	
VTCR425	33	Cross-head screw M4x25	
25034L	34	Switch support	
28035L	35	Body cover	
25036L	36	Micro-valve support	
25037L	37	Release lever	
TRAP24	38	3-way fitting 4-2	
25039L	39	Sensing rod	
GR810	40	Grain M8x10	
28041L	41	Left motor flange	
28042L	42*	O-ring	
28043L	43	Air piston	
28044L	44*	O-ring	
28045L	45	Right motor flange	
28046L	46	Air piston slider guide	
28047L	47	Air piston slider	
28048L	48*	O-ring	

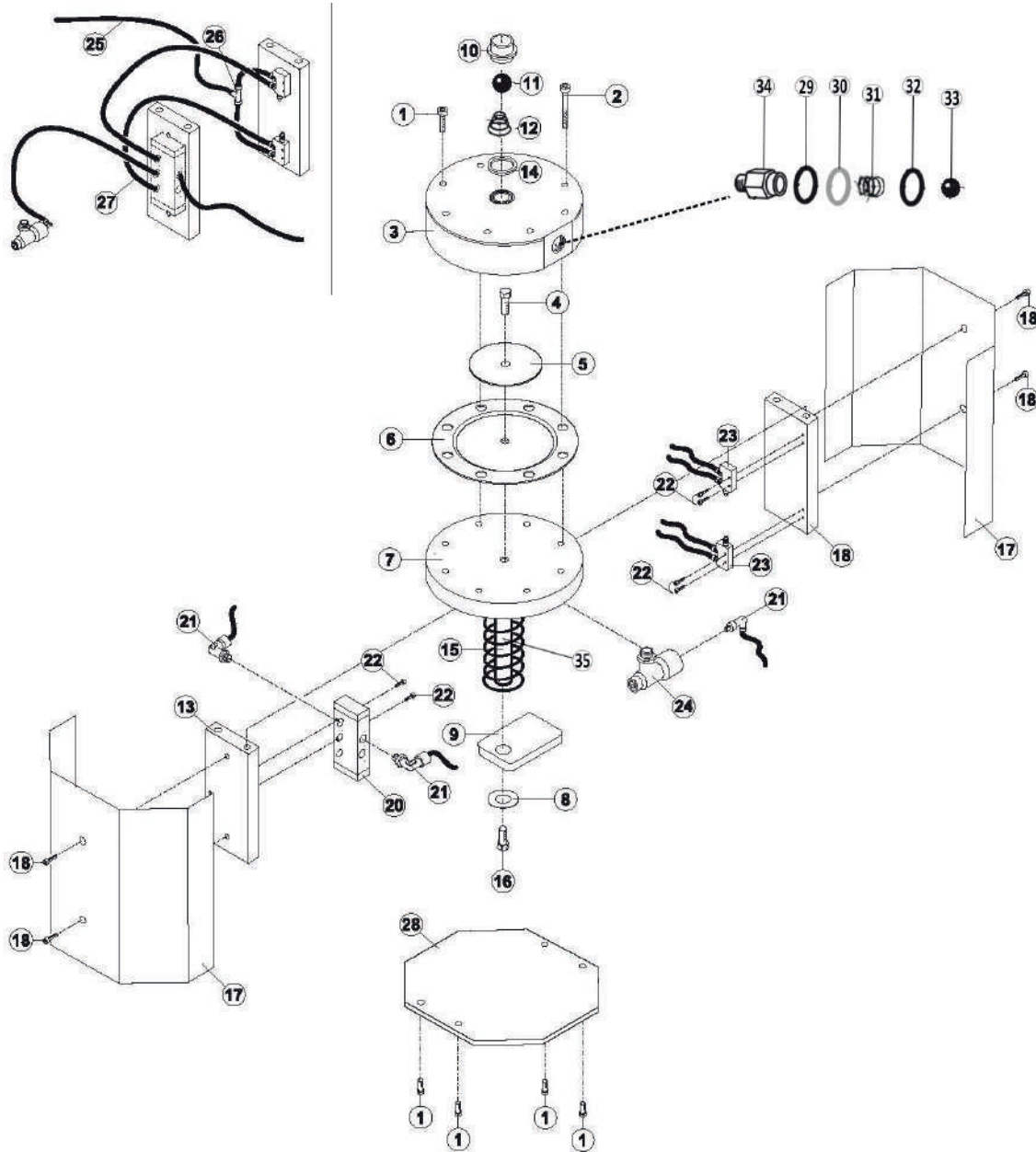
VS 36I



CODE	POS.	PRICE
02001	1	
02002	2	
02003	3	
02004	4	
02005	5	
02006	6	
02007	7	
02008	8	
02009	9	
02010	10	
02011	11	
02012	12	
02013	13	
02014	14	
02015	15	
02016	16	
02017	17	
02018	18	
02019	19	
02020	20	
02021	21	
02022	22	
02023	23	
02024	24	
02025	25	

CODE	POS.	PRICE
02026	26	
02027	27	
02028	28	
02029	29	
02030	30	
02031	31	
02032	32	
02033	33	
02034	34	
02035	35	
02036	36	
02037	37	
02038	38	
02039	39	
02040	40	
02041	41	
02042	42	
02043	43	
02044	44	
02048	48	
02049	49	
02050	50	

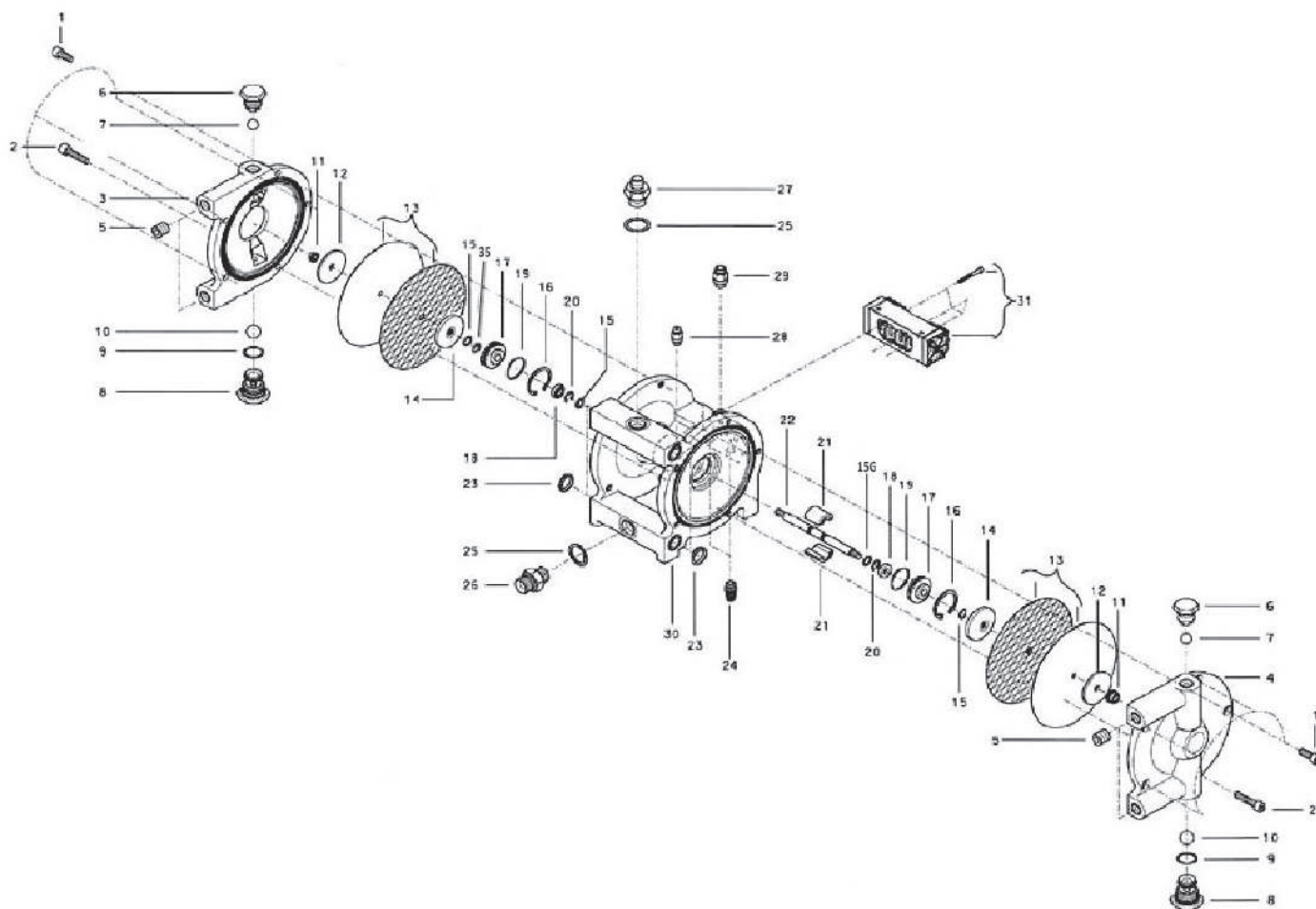
VS K1



CODE	POS.	DESCRIPTION	PRICE
VTBR645	1	Screw M6X45	
VTBR660	2	Screw M6X60	
107	3	Flange	
VTESX816	4	S. steel screw M8x16	
25004	5	Membrane pad	
25005K1	6	Membrane	
102	7	Air flange	
103	8	Washer	
104	9	Sensor	
105	10	Intake valve body	
SF18	11	S. steel ball	
106	12	Spring	
25019	13	Valve support	
108	14	Gasket	
109	15	Exchange valve	
VTBR816	16	Screw M8	
25018	17	S.steel cover	

CODE	POS.	DESCRIPTION	PRICE
VTBR510	18	Screw M10	
110	19	Micron support	
3634K1	20	Exchange valve	
119618	21	Rapid fitting 1/8" 6x4	
VTBR425	22	Screw M4	
3615	23	Microflow valve	
111	24	Rapid discharge valve	
35024	25 / 27	PTFE hose 2x4	
TRAP24	26	T Rapid fitting 2x4	
113	28	S. steel cover	
155038	29	Copper washer 3/8"	
R183800i	30	Aluminium spacer	
400443	31	Spring	
400447	32	Support ring	
490011	33	S.steel ball ø11	
173838	34	Fitting FS 3/8"x3/8"	
127	35	Shaft	

VS 24 - OUT OF PRODUCTION

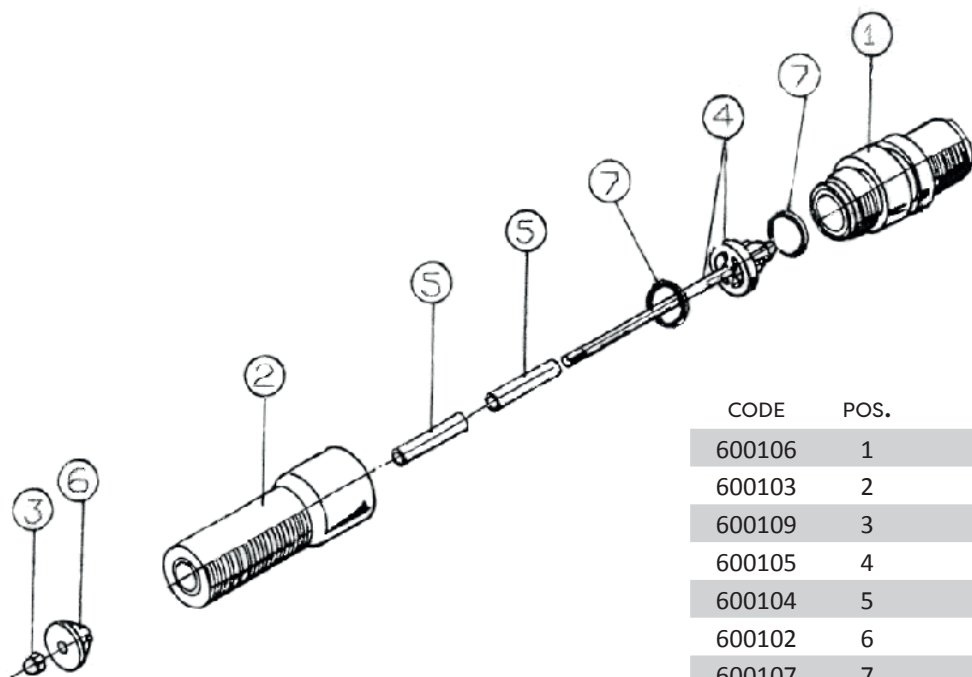


CODE	POS.	DESCRIPTION	PRICE
212462	1	Screw 8x20	
212414	2	Screw 8x35	
212454	3	Left flange	
212426	4	Right flange	
212428	5	Cap M 3/8"	
212424	6	S.steel compression valve	
212416	7	Ball Ø 14 mm.	
212422	8	S.steel intake valve	
212420	9	Intake valve gasket	
212418	10	Ball Ø 18 mm.	
212463	11	Self-blocking nut M8	
212430	12	Rear plate	
212490	13	Rubber+PTFE membrane kit	
212434	14	Front plate	
212432	15	O-ring 2031	
212435G	15G	O-ring 2025	

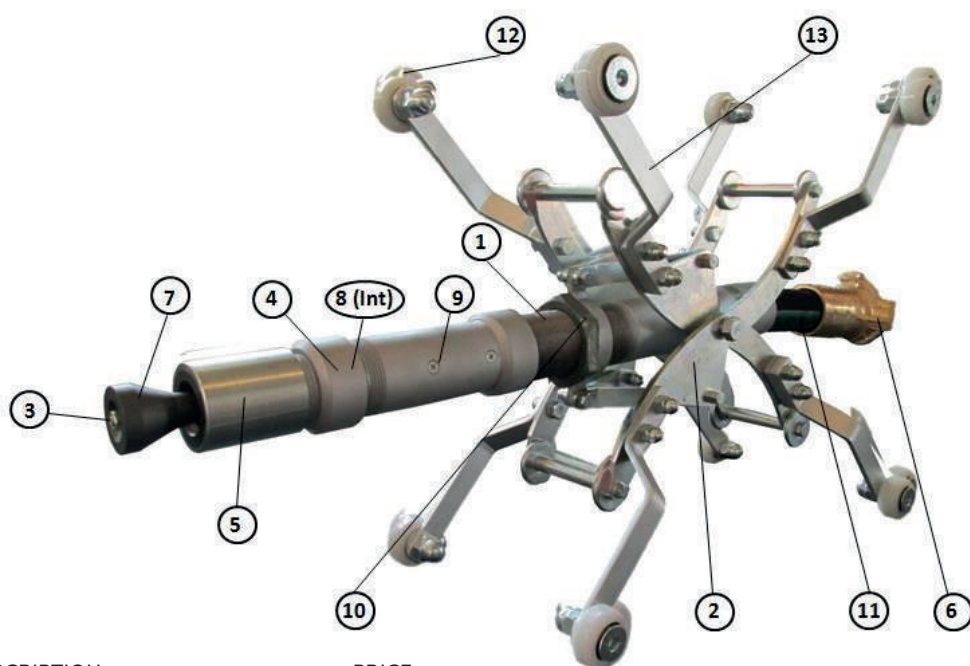
CODE	POS.	DESCRIPTION	PRICE
212436	16	Seeger ring 37 mm.	
212440	17	Shaft guide	
212442	18	Macma gasket	
212438	19	O-ring 3118	
212444	20	Beenzing ring 8 mm.	
212448	21	Coupling	
212446	22	S. steel shaft	
212450	23	PTFE Ring	
212461	24	Silencer	
212460	31	Pneumatic exchanger	
212435	35	Damper	

CODE	POS.	DESCRIPTION	PRICE
212447		Motor shaft kit	
212473		Motor gasket kit	
212451		PTFE ring kit (4 pcs)	
CAKR14		Air regulation kit	
25502C		Cart	
212472		Wheel	

TURBINE TUBOBLAST

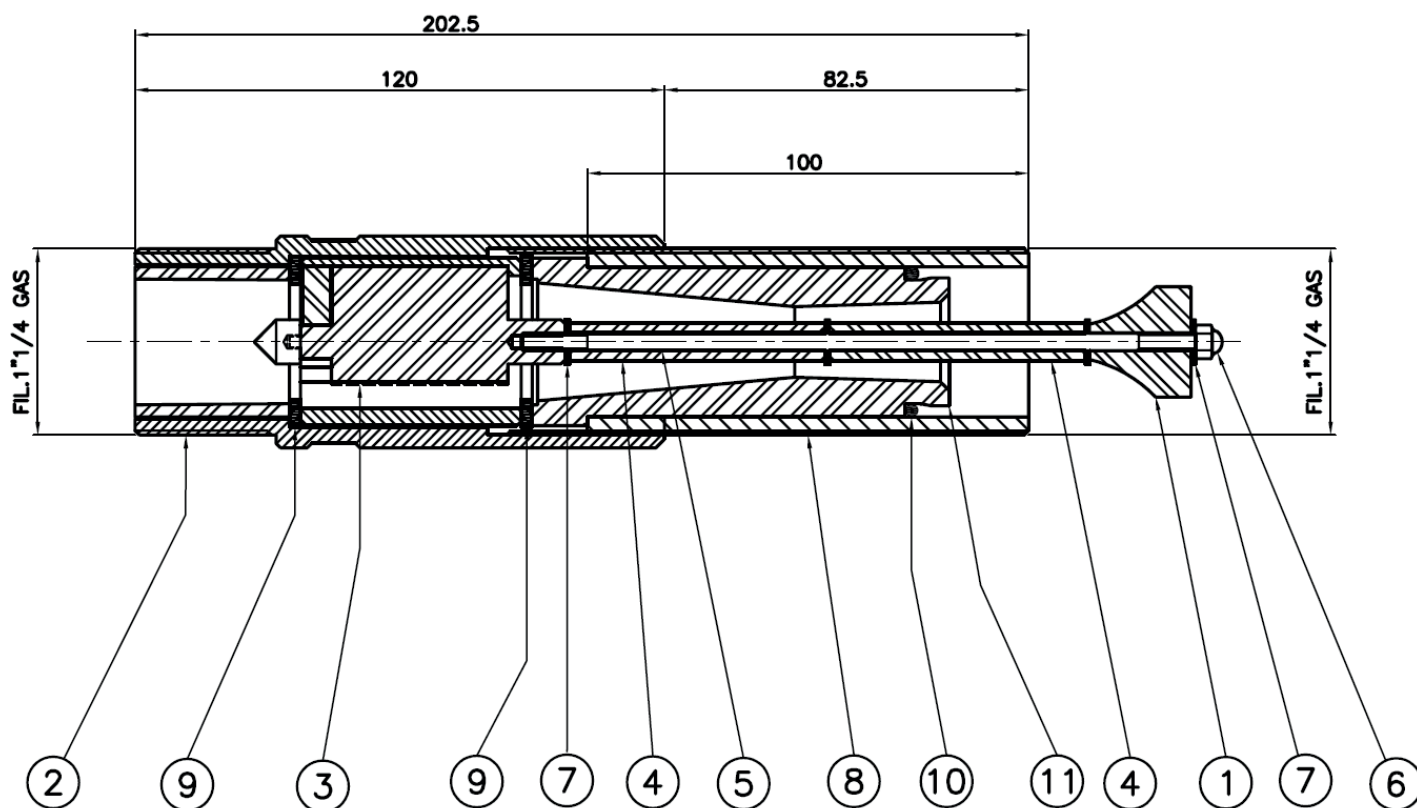


CODE	POS.	DESCRIPTION	PRICE
600106	1	Housing	
600103	2	Front body	
600109	3	Self-blocking nut	
600105	4	Internal deflector	
600104	5	Protection cylinder	
600102	6	Deflector	
600107	7	Gasket	



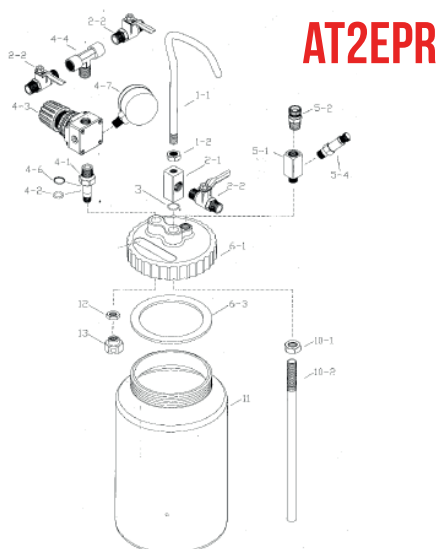
CODE	POS.	DESCRIPTION	PRICE
600183	1	Threaded central body	
600185	2	Cart tuboblast senior	
-	3	Nut with washer	
600188	4	Threaded fitting	
600187	5	Sandblasting head with deflector	
200251	6	Quick coupling hose connector \varnothing 40	
600186	7	Sandblasting head deflector	
600217	8	Wear-resistant pad	
600189	9	Threaded hose connector	
600190	10	Adjustment ring	
360040	11	Abrasive hose \varnothing 25x40	
500163	12	Wheel \varnothing 40mm	
600184	13	Extension kit for tuboplast senior trolley	

TURBINE HOLLOBLAST



POS.	CODICE	DESCRIPTION	PRICE
1	57093107	TC Diffuser	
2	57093101A	Support	
3	57093103A	TC Deflector	
4	57093106	TC Extension	
5	57093105	Main shaft	
6	57093111	Diffuser nut	
7	57093109	Copper washer $\phi 4,3$	
8	57093102	Sleeve 1 1/4" FE	
9	57093108	Washer	
10	57093110	O-ring 4112	
11	57093104	TC Nozzle $\phi 16$	

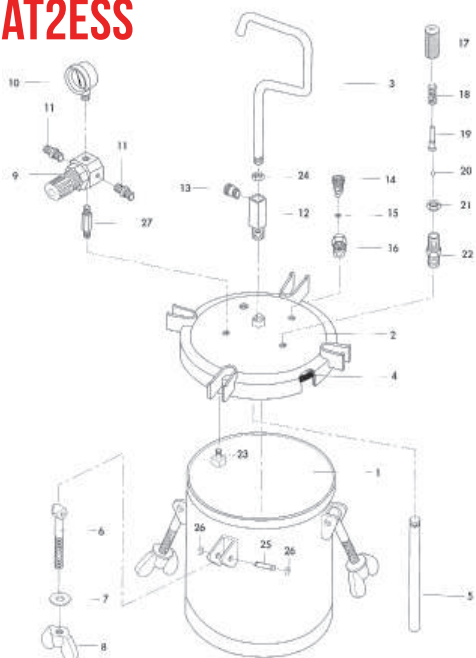
AT 2EPR - AT2ESS - AT2ASS



AT2EPR

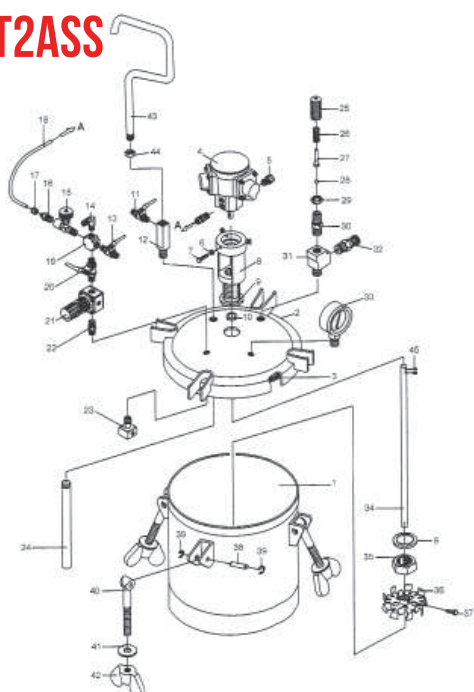
CODE	POS.	DESCRIPTION	PRICE
RT2E011	11	Tank	
RT2E061	6-1	Cover	
RT2E063	6-3	Cover gasket	
RT2E102	10-2	Hose	
RT2E101	1-1	Handle	
RT2E012	1-2	Nut	
RT2E021	2-1	Nipple	
RT2E111	10-1	Nut	
RT2E013	13/12	Return valve	
RT2E054	5-4/5-1/4-2/ 4-6/4-1/4-2	Safety valve	
RT2E022	2-2	Ball valve, BP	
RT2E052	5-2	Exhaust valve	
RT2E043	4-3	Regulator	
RT2E047	4-7	Pressure gauge	
RT2E044	4-4	T-fitting	

AT2ESS



CODE	POS.	DESCRIPTION	PRICE
AT2ES01	1	tank	
AT2ES02	2	cover	
AT2ES03	3	handle	
AT2ES04	4	cover gasket	
AT2ES05	5	tube	
AT2ES06	6	Screw lid	
AT2ES07	7	washer	
AT2ES08	8	Butterfly knob	
AT2ES09	9	regulator	
AT2ES10	10	Pressure gauge	
AT2ES11	11	nipple	
AT2ES12	12	extension	
AT2ES13	13	plug	
AT2ES14	14/15/16 17/18/19	exhaust valve	
AT2ES17	20/21/22	safety valve	
AT2ES23	23	return valve	
AT2ES24	24	nut	
AT2ES25	25/26	Pin and snap ring	
AT2ES27	27	extension	

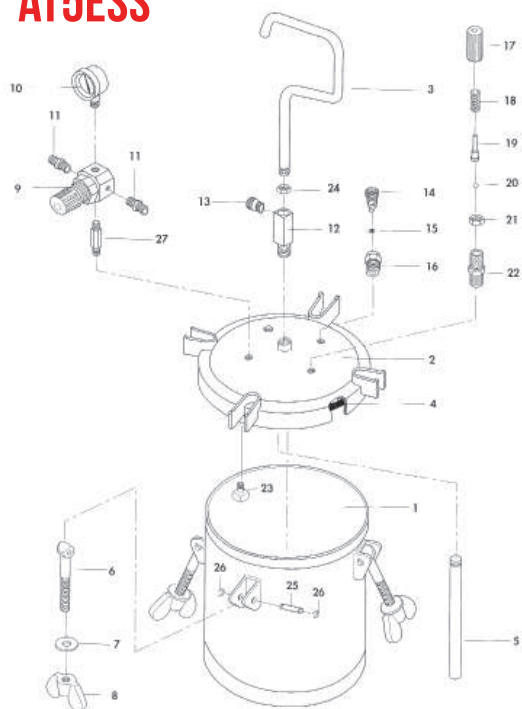
AT2ASS



CODE	POS.	DESCRIPTION	PRICE
AT2AS01	1	Tank	
AT2AS02	2	Cover	
AT2AS03	3	Cover gasket	
AT2AS04	4	Agitator	
AT2AS05	5	Silencer	
AT2AS08	8	Agitator adapter	
AT2AS09	9	Gasket	
AT2AS10	10	Gasket	
AT2AS11	11/13/20	Ball valve, BP	
AT2AS12	12	Extension	
AT2AS14	14/15/16 17/18/19	Group for mixer fittings	
AT2AS21	21	regulator	
AT2AS22	22/32	nipple	
AT2AS23	23	return valve	
AT2AS24	24	tube	
AT2AS25	25/26/27/28 29/30/31	safety valve	
AT2AS33	33	Pressure gauge	
AT2AS34	34	Agitator shaft	
AT2AS35	35	Agitator nut	
AT2AS36	36/37	Propeller and screw	
AT2AS38	38/39	Pin and snap ring	
AT2AS40	40	Screw lid	
AT2AS41	41	Washer	
AT2AS42	42	Butterfly knob	
AT2AS43	43/44	Handle and nut	

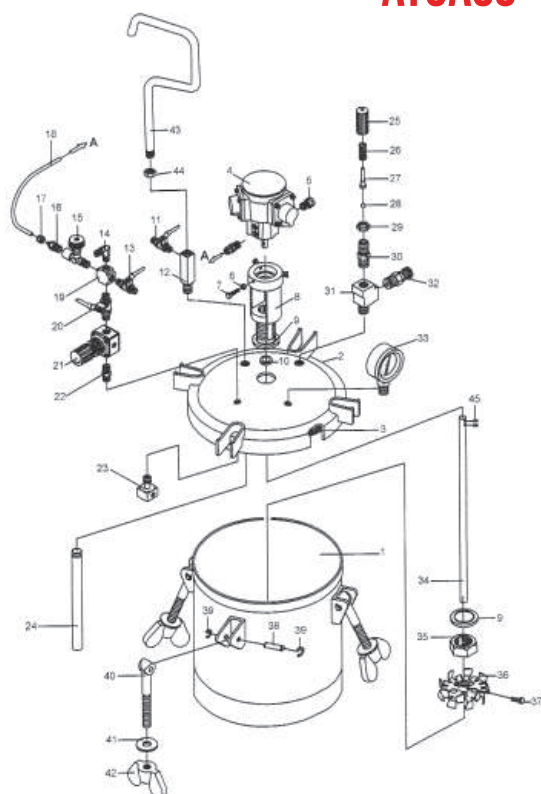
AT5ESS - AT5ASS

AT5ESS



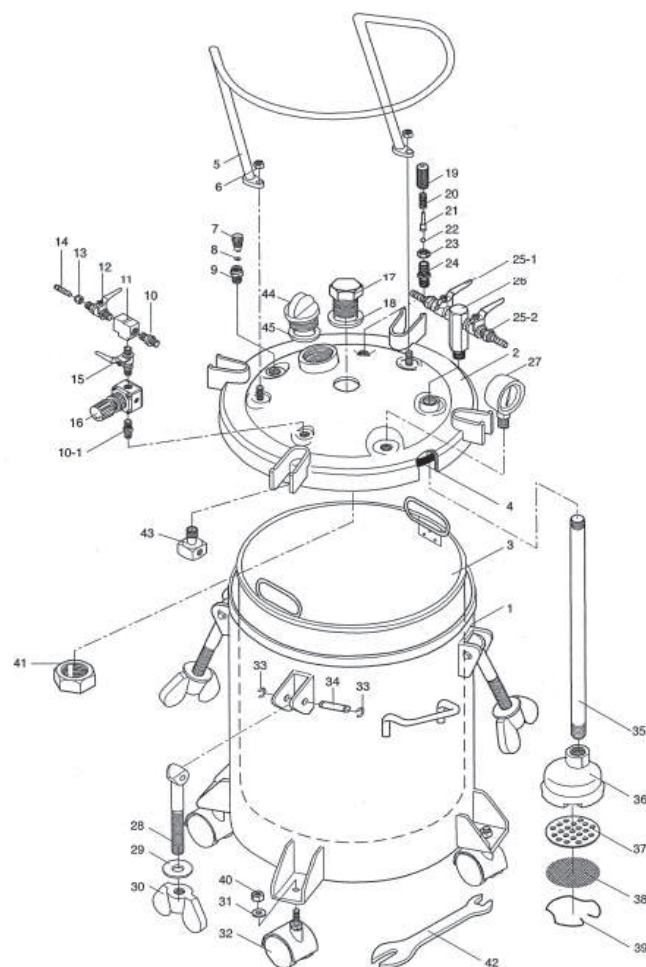
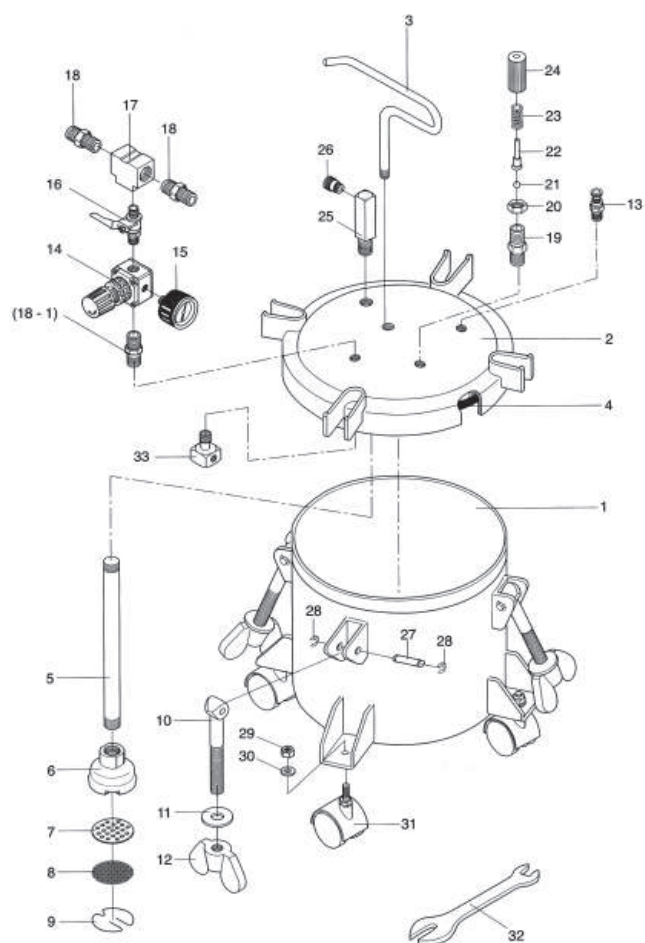
CODE	POS.	DESCRIPTION	PRICE
AT5ES01	1	Tank	
AT5ES02	2	Cover	
AT5ES03	3	Handle	
AT5ES04	4	Cover gasket	
AT5ES05	5	tube	
AT5ES06	6	Screw lid	
AT5ES07	7	washer	
AT5ES08	8	Butterfly knob	
AT5ES09	9	regulator	
AT5ES10	10	Pressure gauge	
AT5ES11	11	nipple	
AT5ES12	12	extension	
AT5ES13	13	plug	
AT5ES14	14/15/16	exhaust valve	
AT5ES17	17/18/19 20/21/22	safety valve	
AT5ES23	23	return valve	
AT5ES24	24	nut	
AT5ES25	25/26	Pin and snap ring	
AT5ES27	27	extension	

AT5ASS



CODE	POS.	DESCRIPTION	PRICE
AT5AS01	1	Tank	
AT5AS02	2	Cover	
AT5AS03	3	Cover gasket	
AT5AS04	4	Agitator	
AT5AS05	5	Silencer	
AT5AS08	8	Agitator adapter	
AT5AS09	9	Gasket	
AT5AS10	10	Gasket	
AT5AS11	11/13/20	Ball valve, BP	
AT5AS12	12	extension	
AT5AS14	14/15/16 17/18/19	Group for mixer fittings	
AT5AS21	21	regulator	
AT5AS22	22/32	nipple	
AT5AS23	23	return valve	
AT5AS24	24	tube	
AT5AS25	25/26/27/28 29/30/31	safety valve	
AT5AS33	33	Pressure gauge	
AT5AS34	34	Agitator shaft	
AT5AS35	35	Agitator nut	
AT2AS36	36/37	Propeller and screw	
AT5AS38	38/39	Pin and snap ring	
AT5AS40	40	Screw lid	
AT5AS41	41	Washer	
AT5AS42	42	Butterfly knob	
AT5AS43	43/44	Handle and nut	

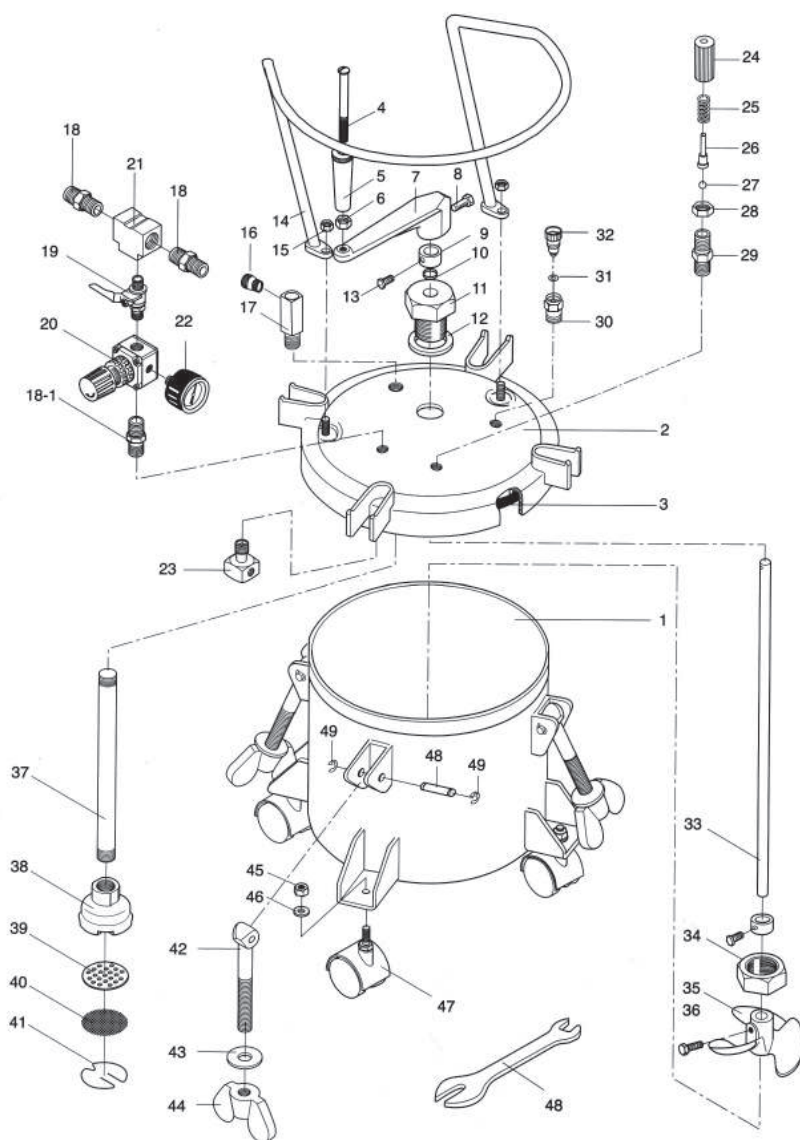
AT 10 - 20 - 40 - 60 - 80 E



CODE	POS.	DESCRIPTION	PRICE
AT10E01	1	Tank	
AT10E02	2	Cover	
AT10E03	3	handle	
AT10E04	4	Cover gasket	
AT10E05	5	suction hose	
AT10E06	6	Filter housing	
AT10E07	7	filter support	
AT10E08	8	filter	
AT10E09	9	spring filter	
AT10E10	10/11/12/27/28	Butterfly knob	
AT10E13	13	exhaust valve	
AT10E14	14	Pressure regulator	
AT10E15	15	Pressure gauge	
AT10E16	16	valve BP	
AT10E17	17	Three-way block	
AT10E18	18	nipple	
AT10E19	19/20/21 22/23/24	Safety valve	
AT10E25	25	Adapter material output	
AT10E26	26	fluid Connection	
AT10E29	29/30/31	complete wheel	
AT10E33	33	Air inlet adapter	

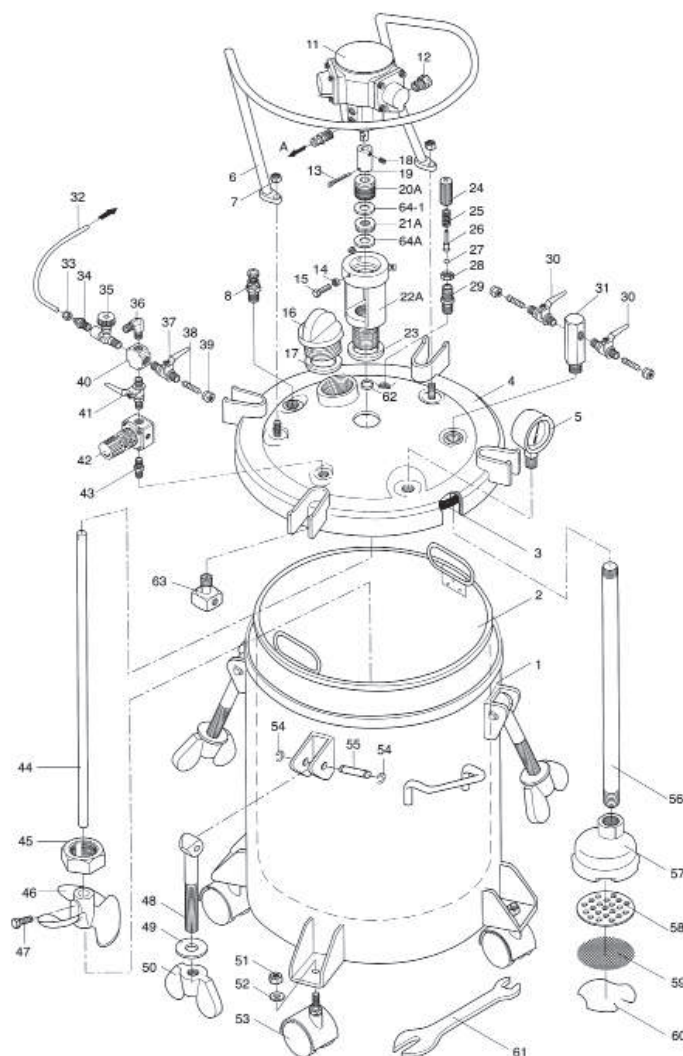
CODE	POS.	DESCRIPTION	PRICE
ATX0E01	1	Tank	
ATX0M02	2	Cover	
ATX0E03	3	Stainless steel basket	
AT20E04	4	Cover gasket AT 20/40	
AT60E04	4	Cover gasket AT 60	
ATX0E05	5	handle	
AT20E06	6	nut	
AT10E13	7/8/9	exhaust valve	
AT10E18	10	nipple	
AT10E17	11	Three-way block	
AT10E16	12/15/25	valve BP	
AT10E14	16	Pressure regulator	
AT20E17	17	Central locking cap	
AT20E18	18	teflon gasket	
AT10E19	19/20/21 22/23/24	Safety valve	
AT10E25	26	Adapter material output	
AT10E15	27	Pressure gauge	
AT10E10	28/29/30/ 33/34	Butterfly knob	
AT10E29	31/32/40	Complete wheel	
ATX0E35	35	suction hose	
AT20E36	36	Filter housing	
AT20E37	37	filter support	
AT20E38	38	filter	
AT20E39	39	Filter spring	
AT20E41	41	Central locking nut	
AT10E33	43	Air inlet adapter	
AT20E44	44	cap lid	
AT20E45	45	teflon gasket	

AT 10 - 20 - 40 - 60 - 80 M



CODE	POS.	DESCRIPTION	PRICE	CODE	POS.	DESCRIPTION	PRICE
ATX0E01	1	Tank		AT10E15	22	Pressure gauge	
ATX0M02	2	Cover		AT10E33	23	Air inlet adapter	
AT10E04	3	Cover gasket AT 10		AT10E19	24/25/26 27/28/29	Safety valve	
AT20E04	3	Cover gasket AT 20/40		AT10E13	30/31/32	Exhaust valve	
AT60E04	3	Cover gasket AT 60		ATX0M33	33	auction stirrer	
AT10M04	4/5/6/7/8	Lever with manual agitator		AT20E41	34	Nut guide stirrer	
AT10M09	9/13	Full adjustment ring		FA106N	35/36	Nylon propeller	
AT10M10	10	O-ring		ATX0E35	37	suction hose	
AT10M11	11	stirrer Guide		AT20E36	38	Filter housing	
AT10M12	12	seal guide		AT20E37	39	filter support	
AT10E03	14	handle		AT20E38	40	filter	
AT20E06	15	handle nut		AT20E39	41	Filter spring	
AT10E26	16	fluid Connection		AT10E10	42/43/44 /48/49	Butterfly knob	
AT10E25	17	Adapter material output		AT10E29	45/46/47	complete wheel	
AT10E18	18	Nipple					
AT10E16	19	valve BP					
AT10E14	20	Pressure regulator					
AT10E17	21	Three-way block					

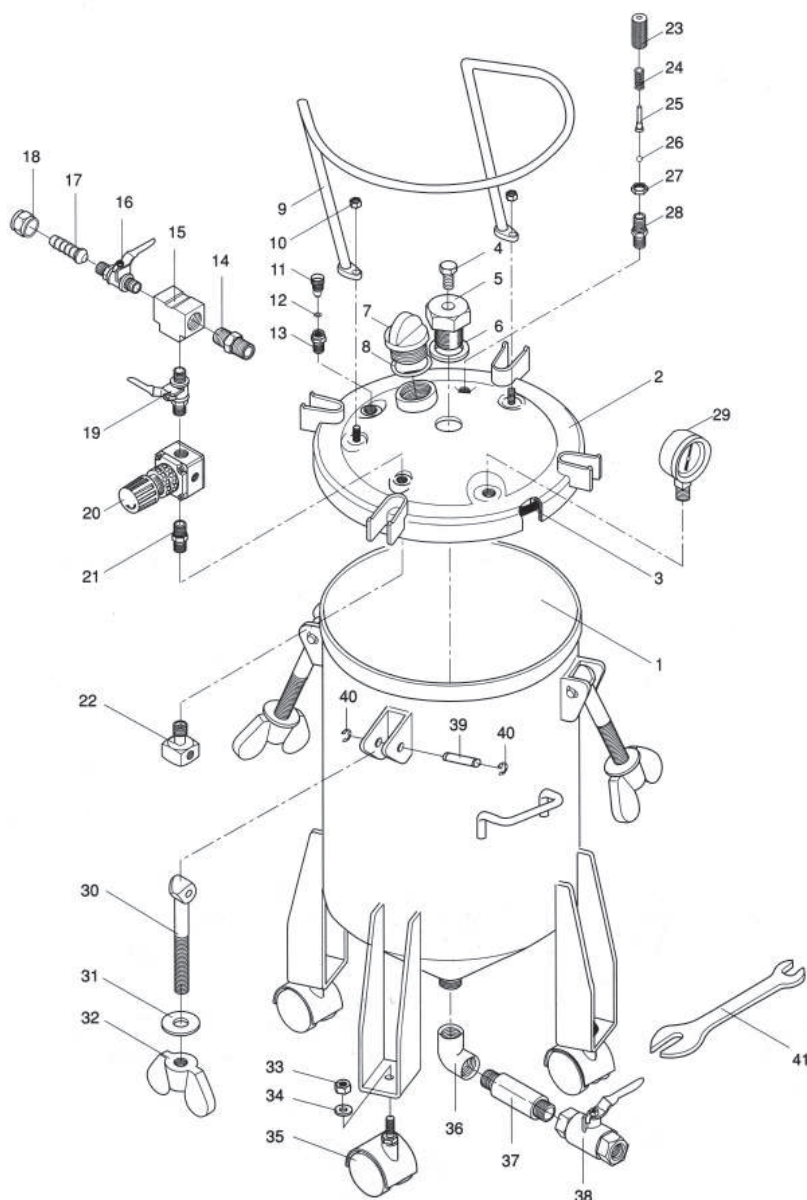
AT 10 - 20 - 40 - 60 - 80 A



CODE	POS.	DESCRIPTION	PRICE
ATX0E01	1	Tank	
ATX0E03	2	Stainless steel basket	
AT10E04	3	Cover gasket AT 10	
AT20E04	3	Cover gasket AT 20/40	
AT60E04	3	Cover gasket AT 60	
ATX0M02	4	Cover	
AT10E15	5	Pressure gauge	
ATX0E05	6	Handle	
AT20E06	7	handle nut	
AT10E13	8	Exhaust valve	
AT10A11	11/12	Agitator motor	
AT10A13	13/18/19	Rod guide	
AT10A14	14/15/22A	Motor base	
AT10A20	20A/21A	Motor gasket Kit	
AT10A23	23	Gasket engine base	
AT10E19	24/25/26	Safety valve	
AT10E16	27/28/29	valve BP	
AT10E25	31	Adapter material output	
AT10A33	33/34	Air Hose	
AT10A35	35	Agitator regulation	
AT10A36	36	Elbow 90 ° M / M	

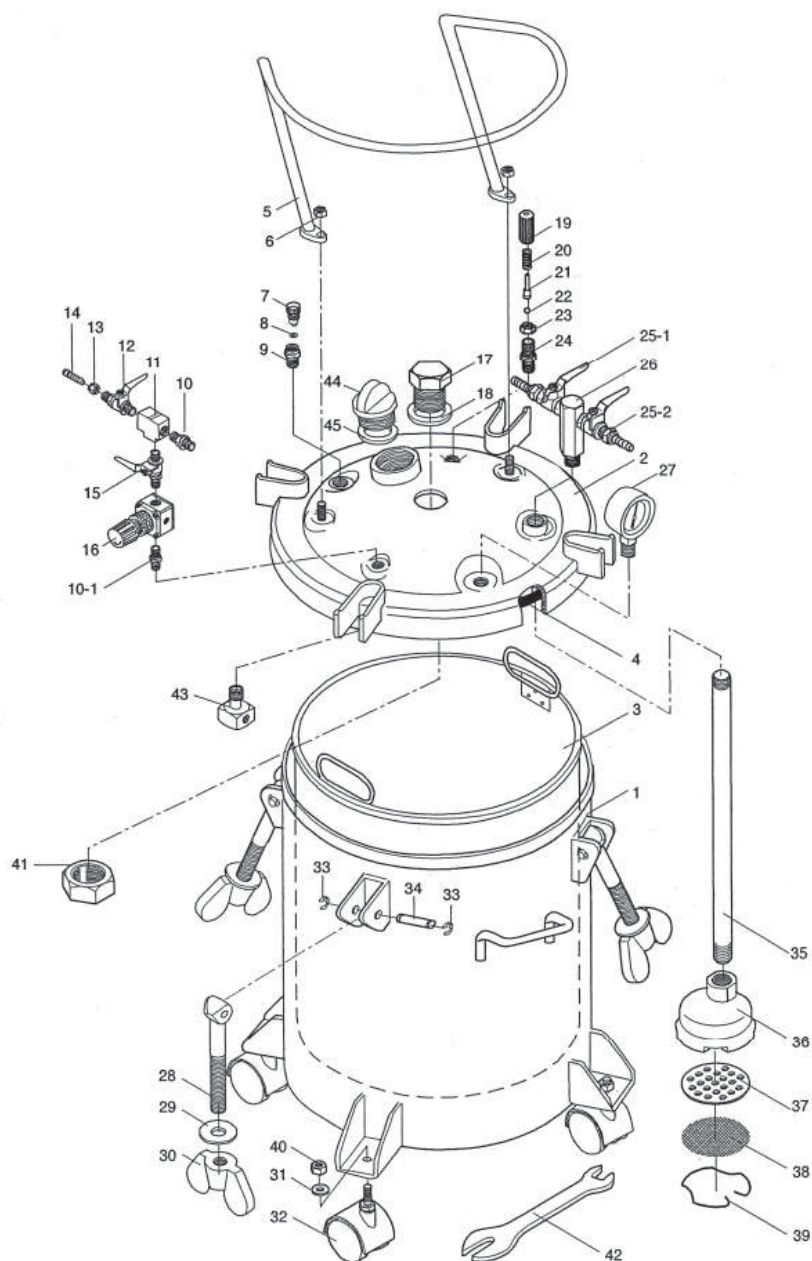
CODE	POS.	DESCRIPTION	PRICE
AT10A40	40	Four-way block	
AT10E14	42	Pressure regulator	
AT10E18	43	Nipple	
ATX0A44	44	Agitator rod	
AT10A45	45	Nut motor base	
FA106N	46/47	Nylon propeller	
AT10E10	48/49/50/ 54/55	Butterfly knob	
AT10E29	51/52/53	Complete wheel	
ATX0E35	56	suction hose	
AT20E36	57	Filter housing	
AT20E37	58	filter support	
AT20E38	59	Filter	
AT20E39	60	Filter spring	
AT10M10	62	O-ring	
AT10E33	63	Air inlet adapter	

AT 10 - 20 - 40 - 60 EFG



CODE	POS.	DESCRIPTION	PRICE	CODE	POS.	DESCRIPTION	PRICE
ATX0G01	1	Tank		AT10E14	20	Pressure regulator	
ATX0M02	2	Cover		AT10E33	22	Air inlet adapter	
AT10E04	3	Cover gasket AT 10		AT10E19	23/24/25 26/27/28	Safety valve	
AT20E04	3	Cover gasket AT 20/40		AT10E15	29	Pressure gauge	
AT60E04	3	Cover gasket AT 60		AT10E10	30/31/32/ 39/40	Butterfly knob	
AT20E17	4/5	Central locking cap		AT10E29	33/34/35	complete wheel	
AT10M12	6	Central locking cap seal		AT10G36	36	Elbow 90° output material	
AT20E44	7	cap lid		AT10G37	37	Output Extension material	
AT20E45	8	cover gasket		AT10G38	38	Material outlet valve BP	
ATX0E05	9	handle					
AT20E06	10	handle nut					
AT10E13	11/12/13	Exhaust valve					
AT10E18	14/21	Nipple					
AT10E17	15	Three-way block					
AT10E16	16/19	Valve BP					

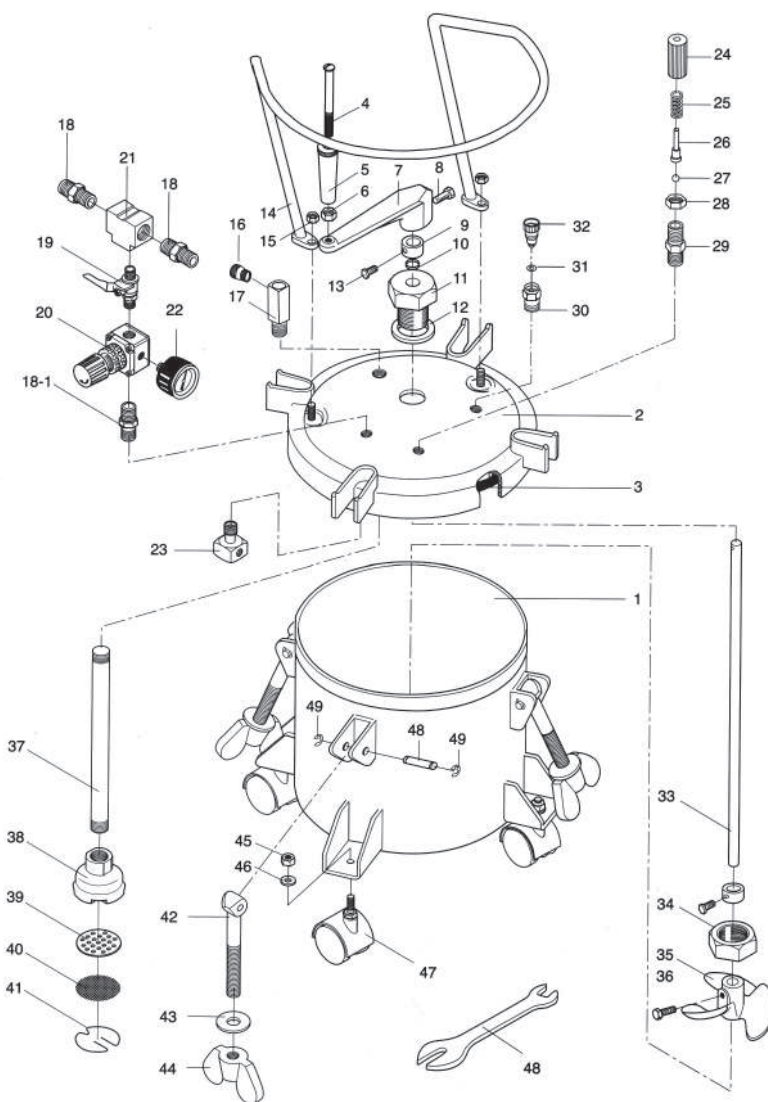
AT 10 - 20 - 50 E S. STEEL



CODE	POS.	DESCRIPTION	PRICE
ATX0ES01	1	Tank	
ATX0ES02	2	Cover	
AT10ES04	4	Cover gasket AT 10	
AT20ES04	4	Cover gasket AT 20	
AT50ES04	4	Cover gasket AT 50	
ATX0ES05	5	handle	
AT20E06	6	nut	
AT10E13	7/8/9	exhaust valve	
AT10E18	10	nipple	
AT10E17	11	Three-way block	
AT10E16	12/15/25	valve BP	
AT10E14	16	Pressure regulator	
AT20ES17	17	Central locking cap	
AT10M12	18	teflon gasket	
AT10E19	19/20/21 22/23/24	Safety valve	

CODE	POS.	DESCRIPTION	PRICE
ATX0ES26	26	Adapter material output	
AT10E15	27	Pressure gauge	
AT10ES28	28/29/30/ 33/34	Butterfly knob	
AT10E29	31/32/40	complete wheel	
ATX0ES35	35	suction hose	
AT20E36	36	Filter housing	
AT20E37	37	filter support	
AT20E38	38	filter	
AT20E39	39	Filter spring	
ATX0ES41	41	Central locking nut	
AT10E33	43	Air inlet adapter	
ATX0ES44	44	cap lid	
AT20E45	45	Teflon gasket	

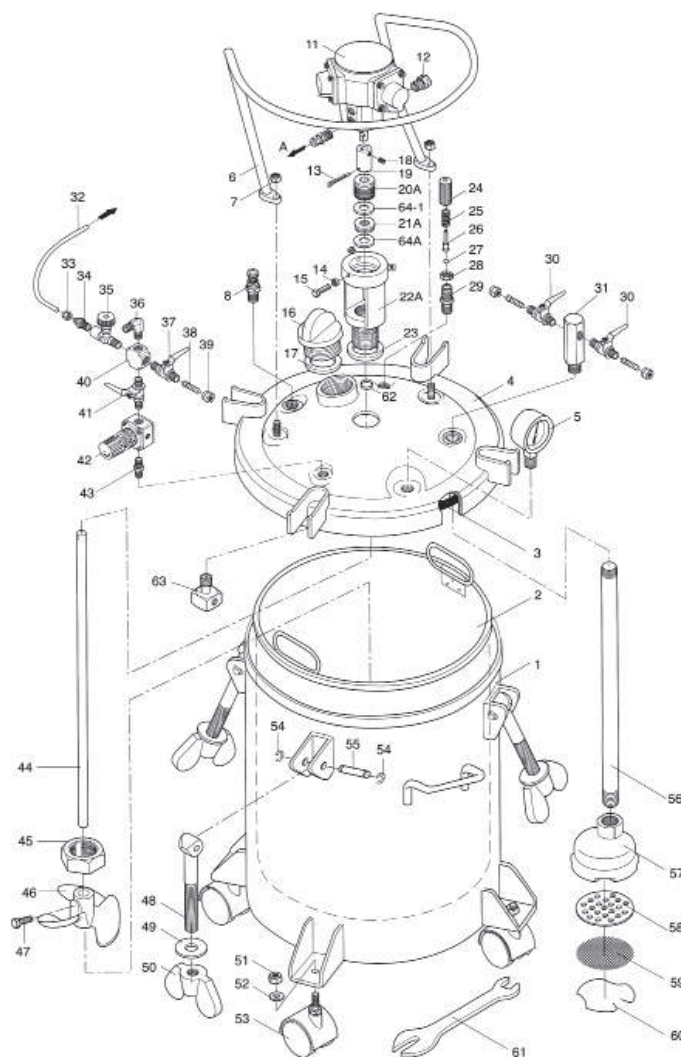
AT 10 - 20 - 40 M S. STEEL



CODE	POS.	DESCRIPTION	PRICE
ATX0ES01	1	Tank	
ATX0ES02	2	Cover	
AT10ES04	3	Cover gasket AT 10	
AT20ES04	3	Cover gasket AT 20	
AT50ES04	3	Cover gasket AT 50	
AT10M04	4/5/6/7/8	Lever with manual agitator	
AT10M09	9/13	Full adjustment ring	
AT10M10	10	O-ring	
AT10MS11	11	Agitator g uide	
AT10M12	12	Seal	
ATX0ES05	14	handle	
AT20E06	15	handle nut	
AT10MS16	16	S. steel fluid inlet fitting	
ATX0ES26	17	Adapter material output	
AT10E18	18	Nipple	
AT10E16	19	Valve BP	
AT10E14	20	Pressure regulator	

CODE	POS.	DESCRIPTION	PRICE
AT10E17	21	Three-way block	
AT10E15	22	Pressure gauge	
AT10E33	23	Air inlet adapter	
AT10E19	24/25/26 27/28/29	Safety valve	
AT10E13	30/31/32	Exhaust valve	
ATX0MS33	33	Agitator rod	
ATX0ES41	34	Agitator guide nut	
FA106N	35/36	Nylon propeller	
ATX0ES35	37	suction hose	
AT20E36	38	Filter housing	
AT20E37	39	filter support	
AT20E38	40	filter	
AT20E39	41	Filter spring	
AT10E10	42/43/44/ 48/49	Butterfly knob	
AT10E29	45/46/47	Complete wheel	

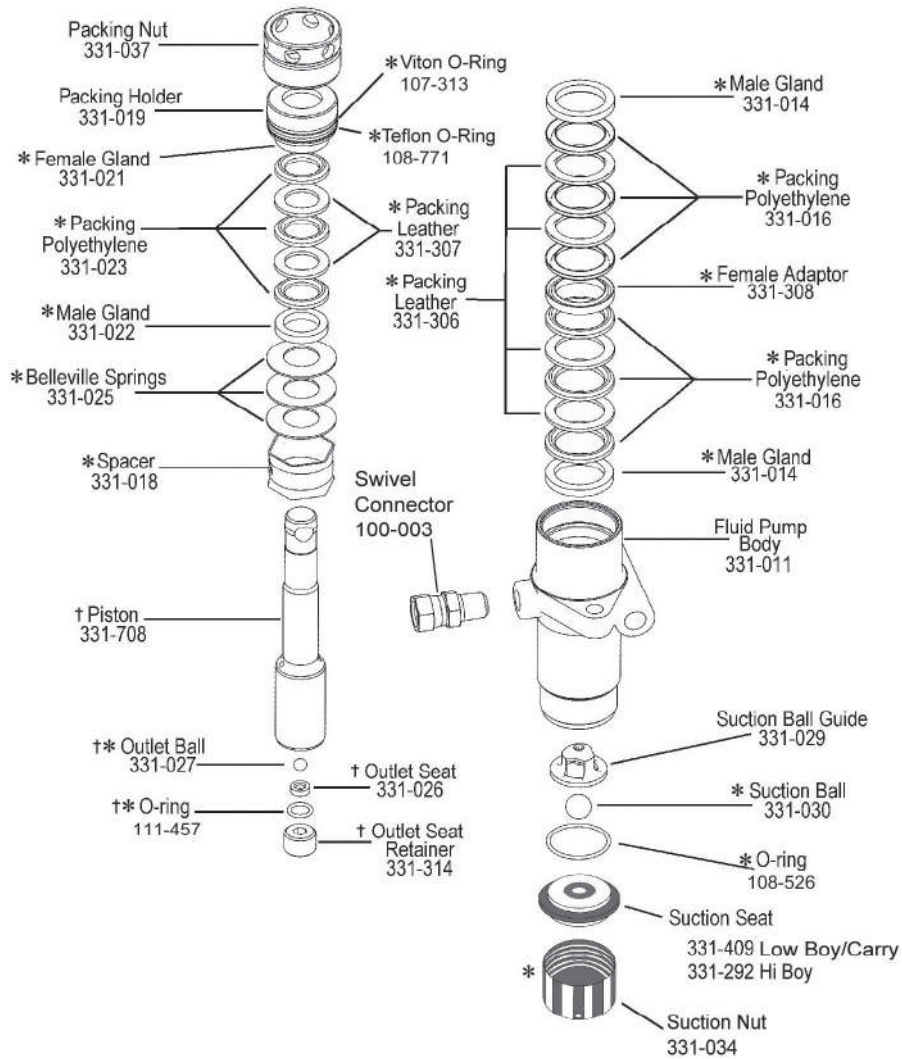
AT 10 - 20 - 40 A S. STEEL



CODE	POS.	DESCRIPTION	PRICE
ATXOES01	1	Tank	
AT10ES04	3	Cover gasket AT 10	
AT20ES04	3	Cover gasket AT 20	
AT50ES04	3	Cover gasket AT 50	
ATXOES02	4	cover	
AT10E15	5	Pressure gauge	
ATXOES05	6	handle	
AT20E06	7	handle nut	
AT10E13	8	Exhaust valve	
AT10AS11	11/12	agitator motor	
AT10AS13	13/18/19	rod guide	
AT10AS14	14/15/22A	Motor base	
AT10A20	20A/21A 64A/64-1	Air motor gasket kit	
AT10A23	23	Air motor base gasket	
AT10E19	24/25/26 27/28/29	Safety valve	
AT10E16	30/37/41	valve BP	
ATXOES26	31	Adapter material output	

CODE	POS.	DESCRIPTION	PRICE
AT10A33	33/34	Air Hose	
AT10A35	35	Agitator air inlet	
AT10A36	36	Elbow 90 ° M / M	
AT10A40	40	Four-way block	
AT10E14	42	Pressure regulator	
AT10E18	43	nipple	
ATX0MS33	44	Agitator rod	
AT10AS45	45	Air motor base nut	
FA106N	46/47	Nylon propeller	
AT10E10	48/49/50/ 54/55	Butterfly knob	
AT10E29	51/52/53	complete wheel	
ATXOES35	56	suction hose	
AT20E36	57	Filter housing	
AT20E37	58	filter support	
AT20E38	59	Filter	
AT20E39	60	Filter spring	
AT10M10	62	O-ring	
AT10E33	63	Air inlet adapter	

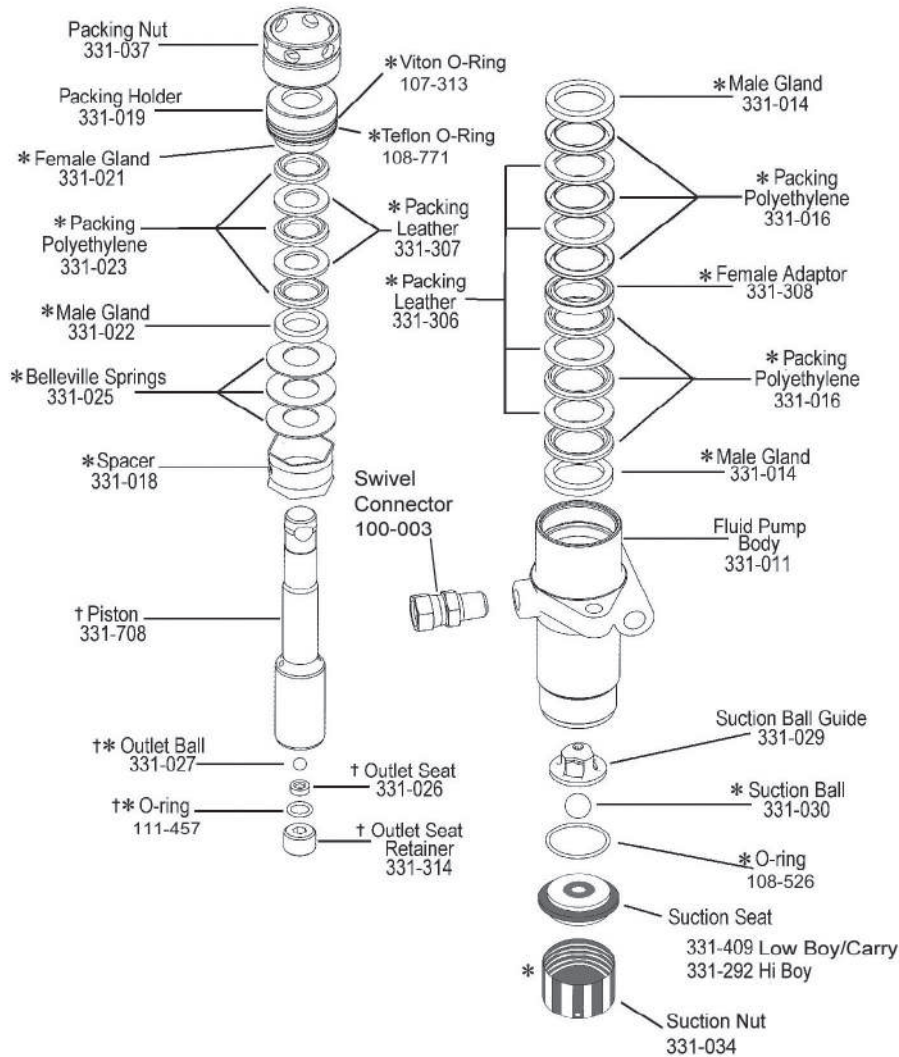
LP 400 - LP 500



CODE	DESCRIPTION	PRICE
100-003	adapter	
107-313	PTFE O-Ring	
108-771	Viton O-Ring	
108-528	O-Ring	
331-011	Fluid pump body	
331-014	Male gland	
331-016	Polyethylene packing	
331-018	Spacer	
331-019	Packing holder	
331-021	Female gland	
331-022	Male gland	
331-023	Polyethylene packing	
331-025	Spring washer	
331-026	ball seats	
331-027	compression sphere	
331-029	ball Guide	
331-030	sphere intake	
331-034	Suction nut	
331-037	Push ring seals	
111-457	O-Ring	
331-492	Motor LP400 220V	

CODE	DESCRIPTION	PRICE
331-292	Intake valve seat Hi Boy	
331-306	Leather bottom seal	
331-307	Leather upper seal	
331-308	central spacer	
331-314	Push male seals	
331-409	The intake valve seat Boy / Carry	
331-708	piston	
331-093	† Complete Piston	
331-210	* Seal kit complete	
331-217	The suction filter Boy / Carry	
141-008	Suction filter Hi Boy	
100-180	Relief valve	
331-396-99	Control board	
331-311	Switch	
331-297	Potentiometer	
331-184	spacer potentiometer	
117-044	rotary potentiometer	
331-294-99	sensor	
331-305-99	LCD Kit	
301-084A	Motor protection 10A	
331-492	Motor LP500 220V	

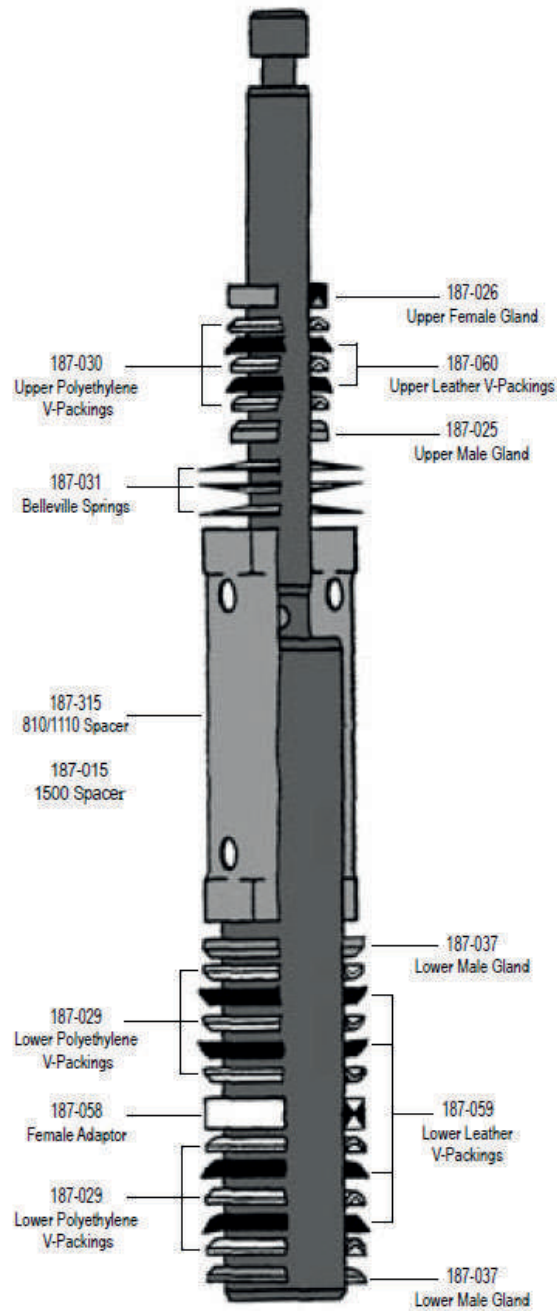
LP 600 - LP 700



CODE	DESCRIPTION	PRICE
100-003	adapter	
107-313	PTFE O-Ring	
108-771	Viton O-Ring	
108-528	O-Ring	
331-011	pumping naked	
331-014	push gaskets	
331-016	PTFE seal less	
331-018	spacer	
331-019	Packing holder	
331-021	Female gland	
331-022	Male gland	
331-023	Polyethylene packing	
331-025	Belleville springs	
331-026	Outlet seat	
331-027	Outlet ball	
331-029	ball Guide	
331-030	Suction ball	
331-034	Suction nut	
331-037	Push ring seals	
111-457	O-Ring	
331-493	Motor LP600 220V	

CODE	DESCRIPTION	PRICE
331-292	Intake valve seat Hi Boy	
331-306	Leather packing	
331-307	Leather packing	
331-308	Female adaptor	
331-314	Male gland	
331-409	Intake valve seat Lo Boy / Carry	
331-708	piston	
331-093	† Complete Piston	
331-210	* Seal kit complete	
331-217	Suction filter Lo Boy / Carry	
141-008	Suction filter Hi Boy	
100-180	Relief valve	
331-396-99	Control board	
331-311	switch	
331-297	potentiometer	
331-184	spacer potentiometer	
117-044	rotary potentiometer	
331-294-99	sensor	
331-305-99	LCD Kit	
301-084A	Motor protection 10A	
331-493	Motor LP700 220V	

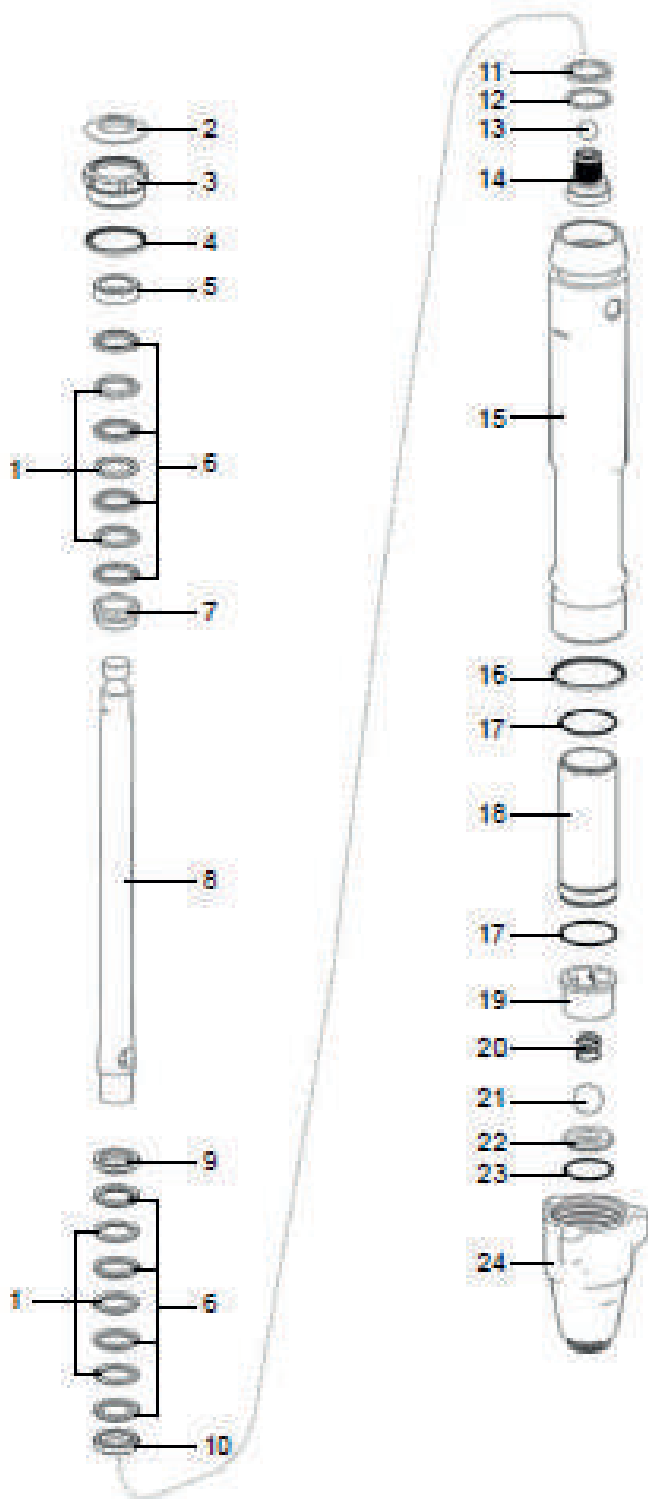
SL 800 - SL 1100



CODE	DESCRIPTION	PRICE
187-025	Male gland	
187-026	Female gland	
187-029	PTFE seal less	
187-030	PTFE top seal	
187-031	Spring washer	
187-037	Male gland	
187-058	Female adaptor	
187-059	Leather packing	
187-060	Leather packing	
187-315	Spacer SL 810/1100	
187-040	Pump Seal Kit	
187-330-99	Piston Kit	
141-010	suction filter	

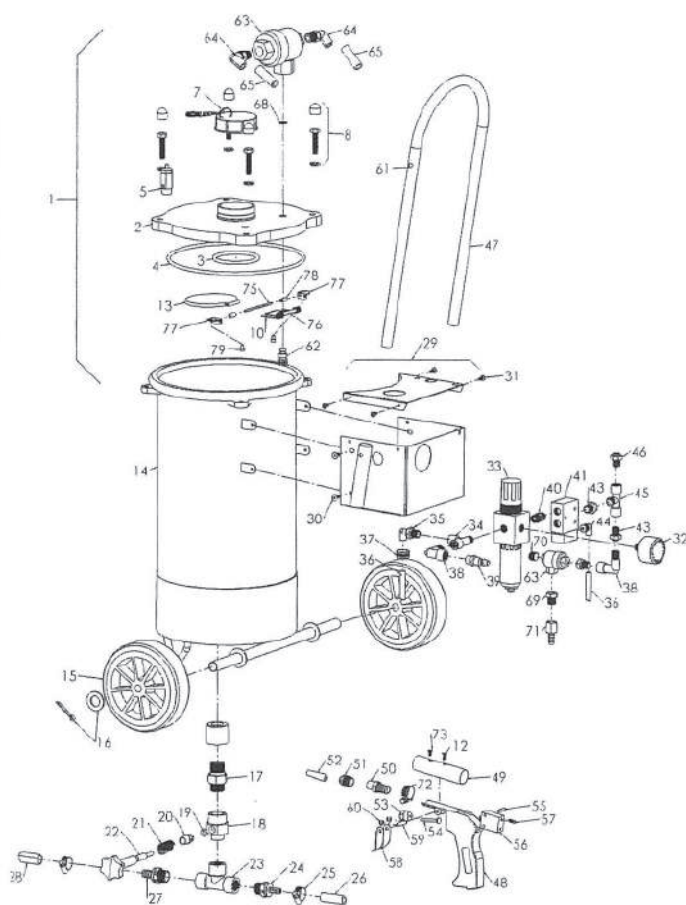
CODE	DESCRIPTION	PRICE
100-180	Relief valve	
866-229	Motor SL 1100	
866-226	SL 800 Engine	
301-364-99	Control board	
301-083	switch	
331-297	potentiometer	
331-184	spacer potentiometer	
117-044	rotary potentiometer	
331-294-99	sensor	
331-305-99	LCD Kit	
301-084A	Motor protection switch 10A for SL 800 - SL 1100	

HSS 9000 - HSS 11000



POS.	CODE	DESCRIPTION	PRICE
1*	198-718	Leather gasket	
2*	112-590	Upper female gland	
3	15J792	Packing nut	
4*	157-195	O-Ring	
5	15G657	female seal carriers	
6*	198-701	Polyethylene packing	
7*	15G658	Male gland	
8	16C205	piston	
9*	189-585	Male gland	
10*	189-588	Female gland	
11*	119-636	Wiper	
12*	15F183	Washer	
13*	107-203	Ceramic ball	
14	249-177	Compression valve	
15	16C204	Cylinder	
16*	160-325	O-Ring	
17*	108-822	O-Ring	
18	244-975	Sleeve	
19	198-505	ball Guide	
20	249-770	spring	
21*	107-167	ceramic ball	
22*	193-395	ball seats	
23	107-098	O-Ring	
24	15A303	Foot	
*	246-341	Repair kit	

JAFE 10 - 30



Pos.	CODE	DESCRIPTION	PRICE
1	52057	TAPA MONTADA	
2	52056	TAPA TERMINADA	
3	500571B	JUNTA TORICA (1 UD.)	
4	52007B	JUNTA DE TAPA	
5	55021B	VALVULA DE SEGURIDAD	
7	52054	TAPON COMPLETO	
8	52055	JUEGO TORNILLOS COMPLETOS (4 UD.)	
10	52004B	MUELLE (1 UD.)	
12	52005B	TORNILLO Mx10 (2 UD.)	
13	52028MB	TAPA DE LLENADO MECANIZADA	
14	52CUERAREN10B	CUERPO ARENADORA SOLDADO	
15	5504112	RUEDA FIJA (2 UD.)	
16	52067	ARANDELA (2 UD.) + PASADOR (2UD.)	
17	52052B	TUERCA LOCA 1/2	
18	52039B	CUERPO REGULADOR	
19	520171B	JUNTA (1 UD.)	
20	52040B	PIEZA SOPORTE	
21	52019B	MUELLE	
22	52086B	REGULADOR SALIDA DE PRODUCTO	
23	52049B	T 1/2H-1/2H-1/2H	
24	52020B	RACOR 1/2M A ESPIGA 9	
25	30151B	ABRAZADERA (2 UD.)	
26	52105B	MANGUERA 8 x 15 NEGRA	
27	52021B	RACOR 1/2M A ESPIGA 12	
28	52079	MANGUERA 13X20	
29	52060	CAJA COMPLETA	
30	52011B	TORNILLO ALLEN (4 UD.)	
31	52010B	TORNILLO ROSCACHAPA (4 UD.)	
32	52064B	MANOMETRO 0-6 BAR 4	
33	52063B	FILTRO REGULADOR CON PURIFICADOR 1/4H	
34	55222B	T 1/4H-1/4M-1/4H LATERAL	
35	52013B	CODO GIRATORIO 1/4 A 4	
36	52078	TUBO DOBLE POLIAMIDA 2X4	
37	52065B	BRIDA DE PLASTICO (10 UD.)	
38	55051B	CODO 90° 1/4M - 1/4H	
39	10CR14MBLISTER	CR 1/4M (2 UD.)	
40	550091B	RACORD 1/4M (1 UD.)	
41	52014B	VALVULA 3/2	
43	11051/41/4H	REDUCCION 1/4M - 1/4H	
44	52015B	CODO GIRATORIO 1/8 A 4	
45	52012B	T 1/4H-1/4M-1/4H CENTRAL	
46	52018B	RACORD 1/4 A 8	
47	52038B	ASA DE TRANSPORTE (con pasadores)	
48	50JAFEARENB	CUERPO DE PISTOLA ARENADORA	
49	52046B	TUBO	
50	52047B	RACORD 1/4G	
51	52048B	PORTABOQUILLA	
52	5202425B	BOQUILLA CARBUJO 2.5 MM	
53	52043B	TUERCA SOPORTE	
54	52044B	EMPUJADOR	
55	52045B	PASADOR SOPORTE	
56	52022B	VALVULA	
57	52023B	RACORD M5 A TUBO 4	
58	50068B	GATILLO	
59	50067	EJE GATILLO MONTAJE (10 UD.)	
60	50006	ANILLO SEJER MONTAJE (10 UD.)	
61	55115B	PASADOR MANGO	
62	52075B	DISTRIBUIDOR DE AIRE	
63	52073B	VALVULA DE DESCARGA RAPIDA 1/8	
64	52074B	CODO GIRATORIO 1/8 A 8	
65	52070B	TUBO POLIURETANO 6x8	
68	50057	JUNTA	
69	11111B1/4L	EMPALME 1/8M - 1/4M	
70	55258B	TAPON 1/8	
71	10M918LISTER	ADAPTADOR 1/4H (2 UD.)	
72	52077B	ABRAZADERA 20 x 23	
73	52086B	TORNILLO Mx8 (2 UD.)	
75	52115B	EJE TAPA DE LLENADO	
76	52116B	EJE DE MUELLE TAPA DE LLENADO	
77	52113B	KIT SOPORTE TAPA DE LLENADO	
78	52117B	CASQUILLO TAPA DE LLENADO	
79	52114B	TORNILLO Mx6 (2 UD.)	

GENERAL CONDITIONS OF SALE

ORDERS ARE ACCEPTED EXCLUSIVELY USING THE FOLLOWING CONDITIONS:

PRICES

Are ex-work our premises in Brembate di Sopra (BG) - Italy.

Packing to be carried at cost.

PAYMENTS

Must be made within the deadline.

Are not recognized as valid the payments made to people not authorized by us.

Cheques should be struck and made payable to VAL SPRAY BERGAMO SRL "not transferable" even if the check is delivered directly to our agents.

We do not accept discounts, rebates or rounding if not agreed in advance by writing.

Any disputes are not eligible for suspension of payments.

Bank interests are charged if payment are not made in time.

Discounts for prompt cash payment may be agreed and it should be calculated on the net amount of goods excluding taxes and transport packaging.

SHIPPING

The goods travel at risk and peril even if sold free of carriage.

Whether the order does not indicate the means of delivery this will be decided by the company with the means consider the most appropriate without assuming any responsibility.

DELIVERIES

The terms of delivery stated in our offers are subject to prior sale and must always mean however, no commitment. Orders are processed according to availability of stock without guarantee of payment.

Any order of only parts of value less will be made in pre-payment.

RETURN OF GOODS

Returned goods will only be accepted prior written agreement with our sales office and sent to our office in Brembate di Sopra (BG).

WARRANTY

We are committed to the replacement or credit of the defective items only if due to problems in production or defecting, damaged caused to wear parts will not be covered.

COMPLAINTS

For any shortages or defects in the quantities we must received notice within 8 days of shipment of goods.

COST

Occurring in the course of providing wage increases of raw materials or other items related to apply the corresponding increase in production.

DISPUTE

Any dispute is referred to the court of Bergamo - Italy.

UPDATES

The size and characteristics of the items described in this catalog are not binding and may be changed at any time without notice.

ATTENTION

**ALL RIGHTS RESERVED AND 'THE REPRODUCTION OF THIS FORM AT ANY PRICE
WITHOUT EXPRESS WRITTEN PERMISSION OF THE VAL SPRAY BERGAMO SRL**